

Dell PowerConnect 81xx Series Switch

Getting Started Guide

使用入门指南

入門指南

Guide de mise en route

Handbuch zum Einstieg

Panduan Pengaktifan

はじめに

시작 안내서

Guia de Primeiros Passos

Руководство по началу работы

Guía de introducción

Başlangıç Kılavuzu

מדריך תחילת העבודה

Regulatory Model: PC8132, PC8132F,
PC8164, PC8164F



Dell PowerConnect
81xx Series Switch
Getting Started Guide

**Regulatory Model: PC8132, PC8132F,
PC8164, PC8164F**



Notes



NOTE: A NOTE indicates important information that helps you make better use of your computer.



CAUTION: A CAUTION indicates potential damage to hardware or loss of data if instructions are not followed.

Information in this publication is subject to change without notice.

© 2012 Dell Inc. All rights reserved.

Reproduction of these materials in any manner whatsoever without the written permission of Dell Inc. is strictly forbidden.

Trademarks used in this text: Dell™, the DELL logo, PowerConnect™, OpenManage™, ReadyRails™, and Torx™ are trademarks of Dell Inc. Microsoft®, Windows® are registered trademarks of Microsoft Corporation in the United States and/or other countries.

Other trademarks and trade names may be used in this publication to refer to either the entities claiming the marks and names or their products. Dell Inc. disclaims any proprietary interest in trademarks and trade names other than its own.

Regulatory Model PC8132, PC8132F, PC8164, PC8164F

February 2012 P/N JHCTM Rev. A00

Contents

1	Introduction	5
	Features	5
2	Hardware Overview	6
	Front Panel	7
	Quad-Port SFP Uplink Fixed Ports	8
	Expansion Slot	8
	UART Interface	8
	System LEDs	9
3	Installation	11
	Site Preparation	11
	Unpacking the Switch	11
	Package Contents	11
	Unpacking Steps	12
	Rack Mounting the Switch	12
	Rack Mounting Safety Considerations	12
	Installing the Dell ReadyRails System	13
	Installing the Switch	18

4	Starting and Configuring the Switch . . .	19
	Connecting a Switch to a Terminal	20
	Booting the Switch.	21
	Performing the Initial Configuration.	21
	Initial Configuration Procedure.	22
	Example Session	23
	Next Steps	26

Introduction

This document provides basic information about the Dell PowerConnect 81xx series of switches, PC8132, PC8132F, PC8164, PC8164F, including how to install a switch and perform the initial configuration. For information about how to configure and monitor switch features, see the *User's Configuration Guide*, which is available on the Dell Support website at support.dell.com/support for the latest updates on documentation and firmware.

This document contains the following sections:

- Hardware Overview
- Installation
- Starting and Configuring the Switch

Features

The PowerConnect 8100 Series are highly scalable, non-stop networking switches for campus aggregation and core switching 10 GbE deployments. The family of Layer 3 switches delivers 10/40 GbE wire-speed performance required to power demanding Enterprise and business infrastructures, while enabling scalability and high density 10 GbE operation with simplified management.

PC8100 Series delivers high availability and redundancy for small core and aggregation deployments that helps grow your network to high density 10 GbE operation and to 40 GbE for the Enterprise core. The family delivers high density stacking with either 10GbE or 40GbE ports, manageable as a single logical unit, as well as redundancy with power supplies, fans and firmware images. Simplified management also includes a USB Rapid Deployment feature to expedite network addressing at bootup, as well as streamline firmware image installs across the entire stack. Flexible management options include an industry-standard CLI, remote management using the embedded web server, and support for SNMP-based management applications including Dell OpenManage Network Manager.

The PC8100 family includes storage networking support and iSCSI optimization. To simplify connectivity with Dell EqualLogic arrays, the iSCSI Auto-Configuration feature in all 8100 Series switches automatically detects the arrays and configures the switch for optimal throughput. This feature is enabled by default, streamlining the process to just connecting a cable. Connectivity with Dell Compellent arrays is also simplified with a single command configuration.

Dell designed the PowerConnect 8100 Series for energy savings from the power cord to the ports, starting with EEE-capable ports to reduce active and passive port power consumption for all ports. In addition to redundant power supplies that can operate efficiently in all modes, variable speed fans reduce consumption by adjusting their speed for their environment through multiple temperature monitors. Lastly, the PC8100 family includes Dell's Lifetime Limited Warranty with Basic Hardware Service (repair or replacement) for life.

Hardware Overview

This section contains information about device characteristics and modular hardware configurations for the PowerConnect 81xx switches.

PowerConnect 81xx has the following physical dimensions:

- 440 x 460 x 44 mm (W x D x H).
- 17.32 x 18.11 x 1.73 inches (W x D x H).

PowerConnect 81xx has a chassis design with four kinds of solutions and 640 Gbps and 320 Gbps switching bandwidth as listed below:

- 1 PC8132F - 24 port SFP+ 10G + 40G/80G extension module
- 2 PC8164F - 48 port SFP+ 10G + 2port 40G QSFP + 40G/80G extension module
- 3 PC8132 - 24 port 10GBaseT + 40G/80G extension module
- 4 PC8164 - 48 port 10GBaseT + 2port 40G QSFP + 40G/80G extension module

The module slots can plug in three kinds of modules:

- SFP+
- 10G Base-T
- QSFP+

The system also provides one RS-232 interface RJ45 type console port and a dedicated Ethernet service port for OOB management functions.

The PC81xx has the following features:

- Support one USB port
- Forty-eight 10 Gbps ports for 1G/10G transceiver

- Two fixed 40 Gbps QSFP ports for 40G transceiver
- One 80 Gbps expansion slots for SFP+, 10G Base-T and QSFP+ modules
- On board high performance CPU system with large memory. XLP308H/256 MB NOR Flash/2GB DDR III RAM.
- Temperature monitoring (TMP75)
- Software readable thermal monitor
- RTC time clock support
- Hot plugging redundant power supply
- Current monitoring for Power management
- The fan is removable and can be managed
- Standard 1U chassis high

Front Panel

The following image shows the PowerConnect 81xx front panel:

Figure 1. PowerConnect 81xx Front Panel



The front panel includes:

- 24/48 fixed 10G Base-T or SFP+ ports
- Management port
- USB 2.0 port



NOTE: LED display for System, fan and power status indicators are on the back panel.

Quad-Port SFP Uplink Fixed Ports

The PC8164 and PC8164F models feature two fixed QSFP ports, each providing the following features:

- Four 10G ports with quad-breakout/QBO cable
- One 40G port supporting CR4, SR4 and LR4 transceivers
- Front panel port status LEDs

The QSFP connections can be used for stacking. Stacking is supported at distances of up to 100M.



NOTE: The QSFP modules can be used only for the PowerConnect 81xx-series switches.

Expansion Slot

The 80 Gbps expansion slot supports the following modules:

- SFP+ (four 10G ports)
- 10G Base-T (four 10G ports)
- QSFP+ (may be configured as two 40G ports or up to 8 10G ports)

The modules are sold separately.

UART Interface

The UART (Universal Asynchronous Receiver Transmitter) port is modeled after the industry standard 16550 UART devices. The UART port provides serial communication capabilities, which allows communication with the model or other external devices using RS-232 protocol. A serial port provides a direct connection to the switch and allows you to access the CLI from a console terminal connected to the port through the provided serial cable (with RJ45 YOST to female DB-9 connectors).

The UART port is separately configurable and can be run as an asynchronous link from 1200 baud to 4M baud.

The UART interface can be programmed with the following options:

- 5, 6, 7, or 8 character bits
- 1, 1.5, or 2 stop bits
- Parity option
- Even/odd parity (if parity option is enabled)
- Sticky parity (if parity option is enabled)

The defaults are 9600 baud rate, 8 data bits, No Parity, 1 Stop Bit, No Flow Control.

System LEDs

The system contains light emitting diodes (LEDs) that provide indications about the System, Temp, Diag, Fan, Stack, and Locator status of the PowerConnect 81xx unit. Table 1 contains the status LED definitions:

Table 1. LED Definitions for System

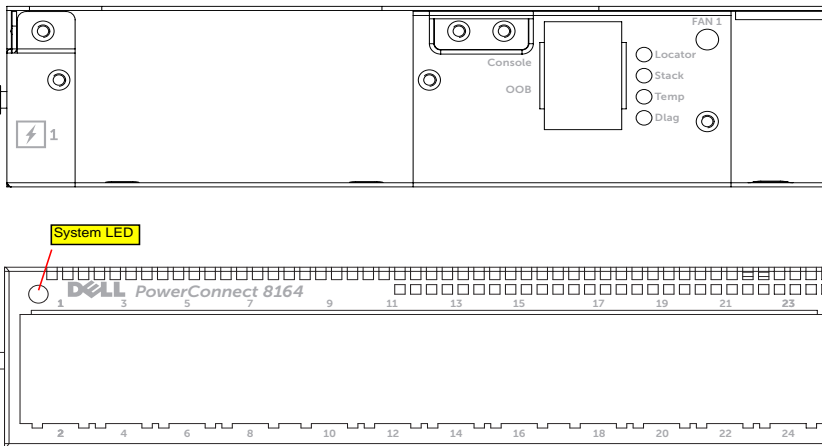
Feature	Detailed Description	Comment
System LED	<ul style="list-style-type: none">• Solid blue - Normal operation• Blinking blue - Booting• Solid red - Critical system error• Blinking red - Non-critical system error (fan fail, power supply fail)	On front panel
Temp LED	<ul style="list-style-type: none">• Off - Normal temperature• Solid amber - Overtemp^a	On back panel
Diag LED	<ul style="list-style-type: none">• Off - Normal operating• Blinking green - Diagnostic test running	On back panel

Table 1. LED Definitions for System (continued)

Feature	Detailed Description	Comment
Fan LED	<ul style="list-style-type: none"> • Solid green - Fan powered and at expected RPM • Solid red - Fan failed 	On back panel
Stack LED	<ul style="list-style-type: none"> • Solid blue - Switch in stacking mode • Solid green - Switch in stacking slave mode • Off - Switch in stand alone mode 	On back panel
Locator LED	<ul style="list-style-type: none"> • Blinking blue - Locator function is enabled • Solid blue - Locator function is disabled 	On back panel

a. The thermal sensors system temperature threshold is 75°C. When the threshold is exceeded, the Temp LED lights up to Amber.

Figure 2. Port LEDs



Installation

Site Preparation

Before installing the switch or switches, make sure that the chosen installation location meets the following site requirements:

- **Clearance**—There is adequate front and rear clearance for operator access. Allow clearance for cabling, power connections, and ventilation.
- **Cabling**—The cabling is routed to avoid sources of electrical noise such as radio transmitters, broadcast amplifiers, power lines, and fluorescent lighting fixtures.
- **Ambient Temperature**—The ambient switch operating temperature range is 10° to 35°C (50° to 95°F).



NOTE: Decrease the maximum temperature by 1°C (1.8°F) per 300 m (985 ft.) above 900 m (2955 ft.).

- **Relative Humidity**—The operating relative humidity is 8% to 85% (non-condensing) with a maximum humidity gradation of 10% per hour.


Unpacking the Switch

Package Contents

When unpacking each switch, make sure that the following items are included:

- One PowerConnect switch
- One RJ45-to-DB-9 female cable
- Two sets of rail kits (no tools required)
- Two PSUs (packed separately)
- Two AC power cords (country/region specific)
- *Getting Started Guide*
- *Safety and Regulatory Information*
- *Warranty and Support Information*
- *Software License Agreement*


Unpacking Steps


 **NOTE:** Before unpacking the switch, inspect the container and immediately report any evidence of damage.

- 1 Place the container on a clean, flat surface and cut all straps securing the container.
- 2 Open the container or remove the container top.
- 3 Carefully remove the switch from the container and place it on a secure and clean surface.
- 4 Remove all packing material.
- 5 Inspect the product and accessories for damage.

Rack Mounting the Switch

You may either place the switch on the rack shelf or mount the switch directly into a 19" wide, EIA-310-E compliant rack (four-post, two-post, or threaded methods). The Dell ReadyRails™ system is provided for 1U front-rack, and two-post installations. The ReadyRails system includes two separately packaged rail assemblies and two rails that are shipped attached to the sides of the switch.

 **WARNING:** This is a condensed reference. Read the safety instructions in your Safety, Environmental, and Regulatory information booklet before you begin.

 **NOTE:** The illustrations in this document are not intended to represent a specific switch.

Rack Mounting Safety Considerations

- Rack loading—Overloading or uneven loading of racks may result in shelf or rack failure, causing damage to equipment and possible personal injury. Stabilize racks in a permanent location before loading begins. Mount components beginning at the bottom of the rack, then work to the top. Do not exceed your rack load rating.
- Power considerations—Connect only to the power source specified on the unit. When multiple electrical components are installed in a rack, ensure that the total component power ratings do not exceed circuit capabilities. Overloaded power sources and extension cords present fire and shock hazards.

- Elevated ambient temperature—If installed in a closed rack assembly, the operating temperature of the rack environment may be greater than room ambient. Use care not to exceed the 50 degrees C maximum ambient temperature of the switch.
- Reduced air flow—Install the equipment in the rack so that the amount of airflow required for safe operation of the equipment is not compromised.
- Reliable earthing—Maintain reliable earthing of rack-mounted equipment. Pay particular attention to supply connections other than direct connections to the branch circuit, for example: use of power strips.
- Product should not be mounted with the rear panel facing in the downward position.

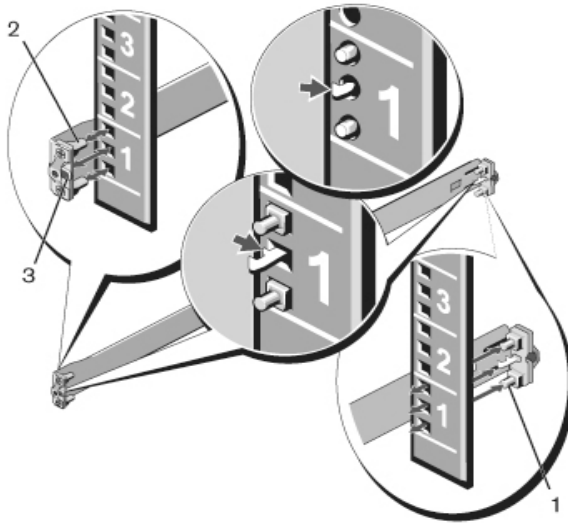
Installing the Dell ReadyRails System

The ReadyRails rack mounting system is provided to easily configure your rack for installation of your switch. The ReadyRails system can be installed using the 1U tool-less method or one of three possible 1U tooled methods (two-post flush mount, two-post center mount, or four-post threaded).

1U Tool-less Configuration (Four-post Square Hole or Unthreaded Round Hole)

- 1 With the ReadyRails flange ears facing outward, place one rail between the left and right vertical posts. Align and seat the rear flange rail pegs in the rear vertical post flange. In Figure 3, item 1 and its extractions illustrate how the pegs appear in both the square and unthreaded round holes.

Figure 3. 1U Tool-less Configuration

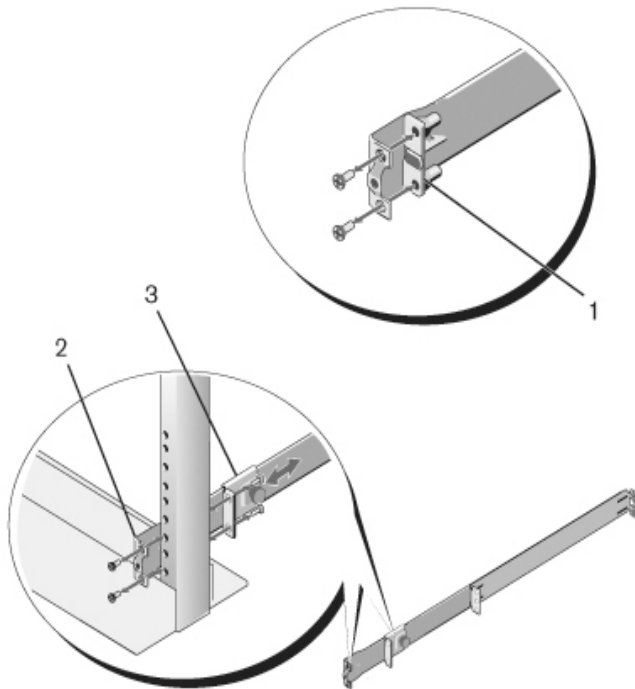


- 2 Align and seat the front flange pegs in the holes on the front side of the vertical post. See Figure 3, item 2.
- 3 Repeat this procedure for the second rail.
- 4 To remove each rail, pull on the latch release button on each flange ear and unseat each rail. See Figure 3, item 3.

Two-post Flush-mount Configuration

- 1 For this configuration, the castings must be removed from the front side of each ReadyRails assembly. See Figure 4, item 1 on page 15. Use a Torx driver to remove the two screws from each front flange ear (on the switch side of the rail) and remove each casting. Retain the castings for future rack requirements. It is not necessary to remove the rear flange castings.

Figure 4. Two-post Flush-mount Configuration



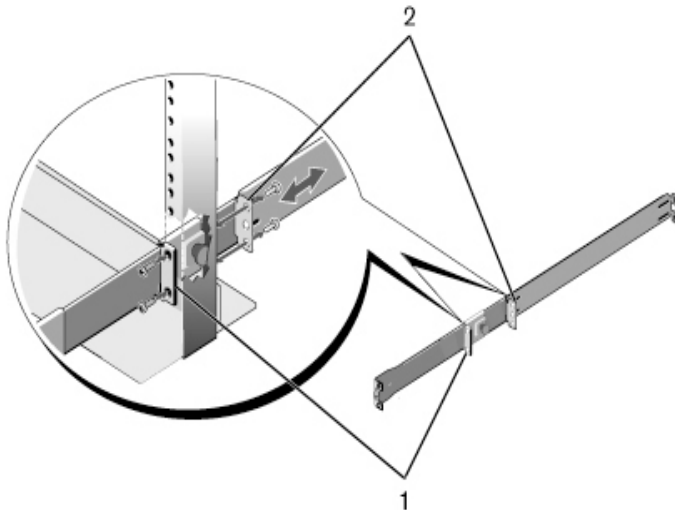
- 2 Attach one rail to the front post flange with two user-supplied screws. See Figure 4, item 2.

- 3 Slide the plunger bracket forward against the vertical post and secure the plunger bracket to the post flange with two user-supplied screws. See Figure 4, item 3.
- 4 Repeat this procedure for the second rail.

Two-post Center-mount Configuration

- 1 Slide the plunger bracket rearward until it clicks into place and secure the bracket to the front post flange with two user-supplied screws. See Figure 5, item 1.

Figure 5. Two-post Center-mount Configuration

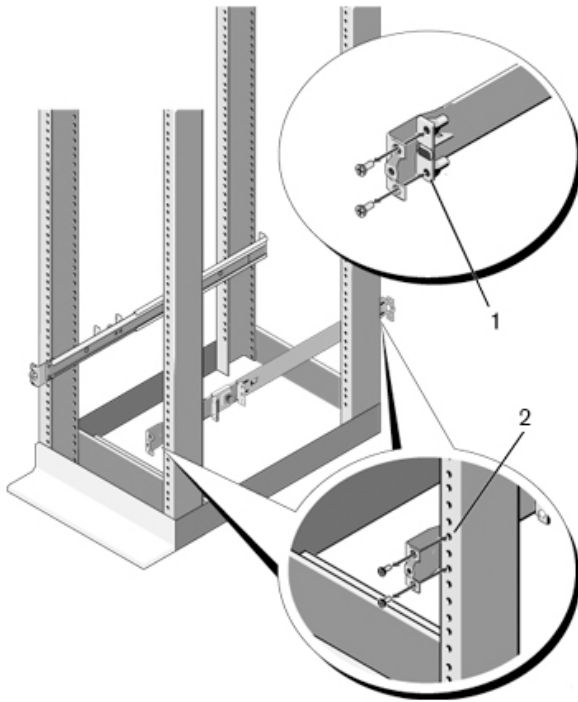


- 2 Slide the back bracket towards the post and secure it to the post flange with two user-supplied screws. See Figure 5, item 2.
- 3 Repeat this procedure for the second rail.

Four-post Threaded Configuration

- 1 For this configuration, the flange ear castings must be removed from each end of the ReadyRails assemblies. Use a Torx driver to remove the two screws from each flange ear and remove each casting. See Figure 6, item 1 on page 17. Retain the castings for future rack requirements.
- 2 For each rail, attach the front and rear flanges to the post flanges with two user-supplied screws at each end. See Figure 6, item 2 on page 17.

Figure 6. Four-post Threaded Configuration



Installing the Switch

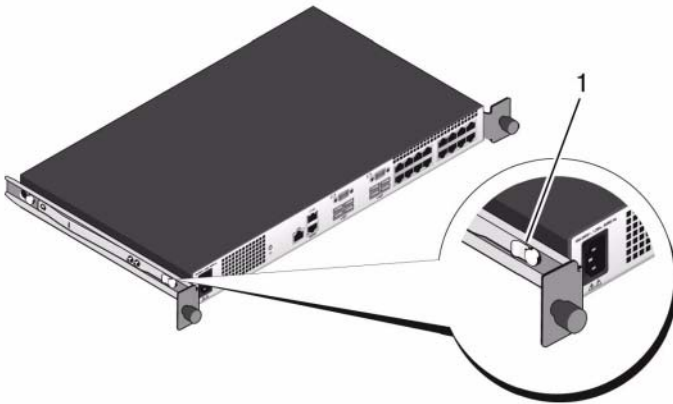
The switch may be mounted in the 1U front-rack and 1U two-post (flush and center) configurations. The following is an example of 1U front-rack configuration. The 1U two-post (flush and center) configurations, you can slide the switch into the rails in the same manner as the four-post configurations.

1U Front-rack Installation

The rails that are attached to the switch must be configured.

- 1 Attach the switch rails (inner chassis members) to the PC81xx switch. Figure 7, item 1 shows the detail for the front standoff with locking tab.

Figure 7. Attaching the Switch Rails

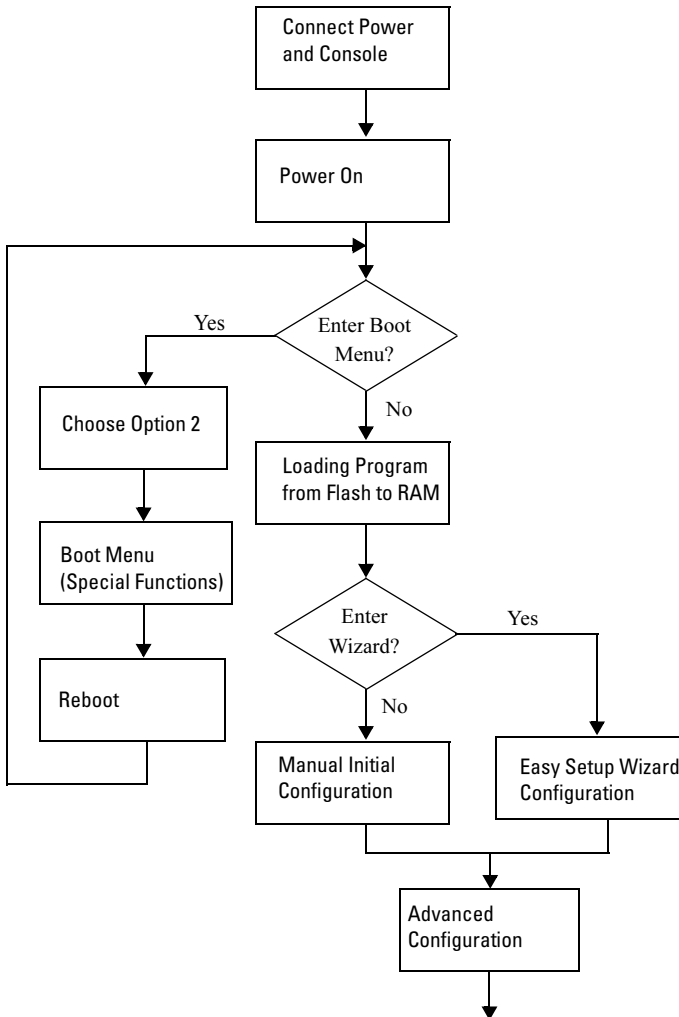


- 2 After both switch rails are installed, line them up on Ready-Rails previously mounted to the rack and slide the switch in until flush with front of rack. About 3 inches prior to full insertion, the rail locking feature will engage to keep the switch from inadvertently sliding out of the rack and falling.

Starting and Configuring the Switch

The following flow chart provides an overview of the steps you use to perform the initial configuration after the switch is unpacked and mounted.

Figure 8. Installation and Configuration Flow Chart



Connecting a Switch to a Terminal

After completing all external connections, connect a terminal to a switch to configure the switch.



NOTE: Read the release notes for this product before proceeding. You can download the release notes from the Dell Support website at support.dell.com/support.



NOTE: We recommend that you obtain the most recent version of the user documentation from the Dell Support website at support.dell.com/support.

To monitor and configure the switch via serial console, use the RJ45 console port on the back panel of the switch to connect it to a VT100 terminal or to a computer running VT100 terminal emulation software. The console port is implemented as a data terminal equipment (DTE) connector.

The following equipment is required to use the console port:

- VT100-compatible terminal or a desktop or a portable computer with a serial port running VT100 terminal emulation software, such as Microsoft HyperTerminal.
- A serial cable (provided) with a RJ45 connector for the console port and DB-9 connector for the terminal.

Perform the following tasks to connect a terminal to the switch console port:

- 1 Connect the DB-9 connector on the serial cable to the terminal or computer running VT100 terminal emulation software.
- 2 Configure the terminal emulation software as follows:
 - a Select the appropriate serial port (for example, COM 1) to connect to the console.
 - b Set the data rate to 9600 baud.
 - c Set the data format to 8 data bits, 1 stop bit, and no parity.
 - d Set the flow control to none.
 - e Set the terminal emulation mode to **VT100**.
 - f Select Terminal keys for Function, Arrow, and Ctrl keys. Ensure that the setting is for Terminal keys (not Microsoft Windows keys).



NOTE: When using HyperTerminal with Microsoft Windows 2000, make sure that you have Windows 2000 Service Pack 2 or later installed. With Windows 2000 Service Pack 2, the arrow keys function properly in HyperTerminal's VT100 emulation. Go to microsoft.com for more information about Windows 2000 service packs.

- 3 Connect the RJ45 connector on the cable directly to the PowerConnect 81xx RJ45 console port located on the back of the switch.

Booting the Switch

When the power is turned on, the switch goes through a power-on self-test (POST). POST runs every time the switch is initialized and checks hardware components to determine if the switch is fully operational before completely booting. If POST detects a critical problem, the program flow stops. If POST passes successfully, valid firmware is loaded into RAM. POST messages are displayed on the terminal and indicate test success or failure. The boot process runs for approximately 60 seconds.

With local terminal connected, you can invoke the Boot menu after the first part of the POST is completed. From the Boot menu, you can perform configuration tasks such as resetting the system to factory defaults, activating the backup image, or recovering a password. For more information about the Boot menu functions, see the *CLI Reference Guide*.

Performing the Initial Configuration

The initial configuration procedure is based on the following assumptions:

- The PowerConnect switch was never configured before and is in the same state as when you received it.
- The PowerConnect switch booted successfully.
- The console connection was established, and the **Dell Easy Setup Wizard** prompt appears on the screen of a VT100 terminal or terminal equivalent.

The initial switch configuration is performed through the console port. After the initial configuration, you can manage the switch from the already-connected console port or through a remote connection.



NOTE: The switch is not configured with a default user name, password, or IP address.

Before setting up the initial configuration of the switch, obtain the following information from your network administrator:

- The IP address to be assigned to the out-of-band (OOB) interface for device management.
- The IP subnet mask for the OOB interface.
- The IP address of the OOB interface default gateway.

These settings are necessary to allow the remote management of the switch through Telnet (Telnet client) or HTTP (Web browser).

Initial Configuration Procedure

You can perform the initial configuration by using the **Dell Easy Setup Wizard** or by using the CLI. The wizard automatically starts when the switch configuration file is empty. You can exit the wizard at any point by entering [ctrl+z], but all configuration settings specified will be discarded, and the switch will use the default values.



NOTE: If you do not run the Easy Setup Wizard or do not respond to the initial Easy Setup Wizard prompt within 60 seconds, the switch enters CLI mode.

For more information about performing the initial configuration by using the CLI, see the *CLI Reference Guide*. This *Getting Started Guide* shows how to use the Easy Setup Wizard for initial switch configuration. The wizard sets up the following configuration on the switch:

- Establishes the initial privileged user account with a valid password. The wizard configures one privileged user account during the setup.
- Enables CLI login and HTTP access to use the local authentication setting only.
- Sets up the IP address for the OOB interface.
- Sets up the SNMP community string to be used by the SNMP manager at a given IP address. You may choose to skip this step if SNMP management is not used for this switch.

Example Session

This section describes an Easy Setup Wizard session. The following values are used by the example session:



NOTE: There is no username, password, or ip address when the switch is unboxed or set to factory defaults.

- SNMP is not enabled.
- The default user name, **root**, is accepted and a password of **admin123** is entered. The Wizard does not display the password as it is entered.
- The OOB management interface uses **192.168.2.1** for IP address assignment.



NOTE: In the example below, the possible user options or default values are enclosed in []. If you press <Enter> with no options defined, the default value is accepted. Help text is in parentheses.

The following example contains the sequence of prompts and responses associated with running an example **Dell Easy Setup Wizard** session, using the input values listed above.

After the switch completes the POST and is booted, the following text is displayed:

```
(Unit 1-Waiting to select management unit)>
```

```
Applying Global configuration, please wait ...
```

```
Welcome to Dell Easy Setup Wizard
```

```
The Setup Wizard guides you through the initial switch configuration, and gets you up and running as quickly as possible. You can skip the setup wizard, and enter CLI mode to manually configure the switch. You must respond to the next question to run the setup wizard within 60 seconds, otherwise the system will continue with normal operation using the default system configuration. Note: You can exit the setup wizard at any point by entering [ctrl+z].
```

```
Would you like to run the setup wizard (you must answer this question within 60 seconds)? [Y/N] y
```

First:

Do you want to select the operational mode as Simple Mode? [Y/N] **y**

Step 1:

The system is not setup for SNMP management by default. To manage the switch using SNMP (required for Dell Network Manager) you can

- . Set up the initial SNMP version 2 account now.
- . Return later and setup other SNMP accounts. (For more information on setting up an SNMP version 1 or 3 account, see the user documentation).

Would you like to setup the SNMP management interface now? [Y/N] **n**

Step 2:

Now we need to setup your initial privilege (Level 15) user account. This account is used to login to the CLI and Web interface. You may setup other accounts and change privilege levels later. For more information on setting up user accounts and changing privilege levels, see the user documentation.

To setup a user account:

Please enter the user name. [root]:

Please enter the user password:

Please reenter the user password:

Step 3:

Next, IP addresses are setup on the OOB (Out-Of-Band) Interface and/or the VLAN1 routing interface.

You can use these IP addresses to access the CLI, Web interface, or SNMP interface of the switch.

To access the switch through any Management Interface you can

- . Setup the IP address for the Management Interface.
- . Setup the default gateway if IP address is manually configured on both routing and OOB interface.

Would you like to setup the Out-Of-Band interface now?
[Y/N] **y**

Please enter the IP address of the device (A.B.C.D) or enter "DHCP" (without the quotes) to automatically request an IP address from the network DHCP server.
[192.168.2.1]:

Please enter the IP subnet mask (A.B.C.D or /nn).
[255.255.255.0]:

This is the configuration information that has been collected:

Operational Mode = Simple

User Account setup = root

Password = *****

Out-of-band IP address = 192.168.2.1 255.255.255.0

Final Step:

If the information is correct, please enter (Y) to save the configuration, and copy the settings to the start-up configuration file. If the information is incorrect, enter (N) to discard the configuration and restart the wizard: [Y/N] **y**

Thank you for using the Dell Easy Set up Wizard. You will now enter CLI mode.

Applying Interface configuration, please wait ...

console>

Next Steps

After completing the initial configuration described in this section, you can connect any of the front-panel switch ports to your production network for in-band remote management.

If you specified DHCP for the OOB management interface IP address, the interface will acquire its IP address from a DHCP server on the network. To discover the dynamically-assigned IP address, use the console port connection to issue the following command:

```
show ip interface out-of-band.
```

To access the **Dell OpenManage Switch Administrator** interface, enter the OOB management interface IP address into the address field of a Web browser. For remote management access to the CLI, enter the OOB management interface IP address into a Telnet or SSH client. Alternatively, you can continue to use the console port for local CLI access to the switch.

Your PowerConnect 81xx switch supports basic switching features such as VLANs, 802.1X, RADIUS and TACACS+. For more information on the features supported in Simple mode, see *Simple Switch Mode: Port Aggregator Feature White Paper*.

If the switch is configured to operate in Normal mode, it can also support features such as spanning tree protocol, as well as advanced Layer 3 features such as dynamic routing and multicast. Use the web-based management interface or the CLI to configure the features your network requires. For information about how to configure the switch features, see the *User's Configuration Guide* or *CLI Reference Guide* available on the support site support.dell.com/support.

Dell PowerConnect 81xx 系列 交换机 使用入门指南

管制型号: PC8132. PC8132F. PC8164.
PC8164F



注



注：“注”表示可以帮助您更好地使用计算机的重要信息。



小心：“小心”表示如果不遵循说明，就有可能损坏硬件或导致数据丢失。

本出版物中的信息如有更改，恕不另行通知。

© 2012 Dell Inc. 版权所有，翻印必究。

未经 Dell Inc. 书面许可，严禁以任何形式对这些材料进行复制。

本文中使用的商标：Dell™、DELL 徽标、PowerConnect™、OpenManage™、ReadyRails™ 和 Torx™ 是 Dell Inc. 的商标。Microsoft®、Windows® 是 Microsoft Corporation 在美国和 / 或其它国家 / 地区的注册商标。

本出版物中提及的其它商标和产品名称是指拥有相应商标和产品名称的公司或其制造的产品。Dell Inc. 对本公司的商标和产品名称之外的其它商标和产品名称不拥有任何专有权。

管制型号 PC8132、PC8132F、PC8164、PC8164F

2012 年 2 月 P/N JHCTM Rev. A00

目录

1	简介	31
	功能	31
2	硬件概览	32
	前面板	33
	四端口 SFP 上行链路固定端口	33
	扩充槽	34
	UART 接口	34
	系统 LED	35
3	安装	37
	现场准备	37
	打开交换机包装	37
	包装箱物品	37
	打开包装步骤	38
	对交换机进行机架安装	38
	机架安装安全说明	38
	安装 Dell ReadyRails 系统	39
	安装交换机	43

4 启动和配置交换机	44
将交换机连接至终端	45
引导交换机	46
进行初始配置	46
初始配置步骤	47
示例会话	48
接下来的步骤	51

简介

本说明文件提供有关 Dell PowerConnect 81xx 系列交换机 PC8132、PC8132F、PC8164、PC8164F 的基本信息，包括如何安装交换机和执行初始配置。有关如何配置和监测交换机功能的信息，请参阅 Dell 支持网站上的《*User's Configuration Guide*》（用户配置指南）。要获取有关说明文件及固件的最新更新，请访问该站点，网址为 support.dell.com/support。

本说明文件包含以下部分：

- 硬件概览
- 安装
- 启动和配置交换机

功能

PowerConnect 8100 系列为高度可扩展、不间断网络交换机，适用于校园聚合和核心交换 10 GbE 部署。第 3 层交换机系列提供对要求苛刻的企业和业务基础设施供电所需的 10/40 GbE 线速性能，同时通过简化管理实现可扩展性和高密度 10 GbE 运行。

PC8100 系列提供适用于小型核心与聚合部署的高可用性和冗余，这有助于扩张您的网络到高密度 10 GbE 运行以及适用于企业核心的 40 GbE。该系列有 10GbE 或 40GbE 端口、可作为单个逻辑单元管理，以及电源设备、风扇和固件映像冗余，可提供高密度堆栈。简化的管理还包括 USB 快速部署功能，以加速启动时的网络寻址，以及简化整个堆栈的固件映像安装。灵活的管理选项包括工业标准 CLI、使用嵌入式 Web 服务器的远程管理，以及对包括 Dell OpenManage Network Manager 在内的基于 SNMP 的管理应用程序的支持。

PC8100 系列包括存储网络支持和 iSCSI 优化。为简化与 Dell EqualLogic 阵列的连接性，所有 8100 系列交换机中的 iSCSI 自动配置功能均可自动检测阵列并配置交换机以获得最优吞吐量。此功能默认为启用，将该过程简化为只需连接电缆。通过单个命令配置也简化了与 Dell Compellent 阵列的连接性。

Dell 设计了 PowerConnect 8100 系列，用于节省从电源线到端口的能源，从支持 EEE 的端口开始，降低所有端口的有源和无源端口功耗。除了可以在所有模式下高效运行的冗余电源设备，变速风扇还可通过多个温度监测器调整其环境速度来减少消耗。最后，PC8100 系列还包括 Dell 的终生有限保修和终生基本硬件服务（维修或更换）。

硬件概览

本节包含有关设备特性和 PowerConnect 81xx 交换机的模块化硬件配置的信息。

PowerConnect 81xx 的物理尺寸如下所示：

- 440 x 460 x 44 毫米（宽 x 厚 x 高）。
- 17.32 x 18.11 x 1.73 英寸（宽 x 厚 x 高）。

PowerConnect 81xx 采用具有四种解决方案以及 640 Gbps 和 320 Gbps 交换带宽的机箱设计，如下所列：

- 1 PC8132F - 24 端口 SFP+ 10G + 40G/80G 扩展模块
- 2 PC8164F - 48 端口 SFP+ 10G + 2 端口 40G QSFP + 40G/80G 扩展模块
- 3 PC8132 - 24 端口 10GBaseT + 40G/80G 扩展模块
- 4 PC8164 - 48 端口 10GBaseT + 2 端口 40G QSFP + 40G/80G 扩展模块

模块插槽可插入三种模块：

- SFP+
- 10G Base-T
- QSFP+

系统还提供一个 RS-232 接口 RJ45 类型的控制台端口和一个专用以太网服务端口用于 OOB 管理功能。

PC81xx 具有以下功能：

- 支持一个 USB 端口
- 四十八个 10 Gbps 端口用于 1G/10G 收发器
- 两个固定 40 Gbps QSFP 端口用于 40G 收发器
- 一个 80 Gbps 扩展插槽用于 SFP+、10G Base-T 和 QSFP+ 模块
- 具有大内存的机载高性能 CPU 系统。XLP308H/256 MB NOR Flash/2GB DDR III RAM。
- 温度监测 (TMP75)
- 软件可读取温度监测
- RTC 时钟支持
- 热插拔冗余电源设备

- 电源管理的电流监测
- 风扇可拆卸，也可能损坏
- 标准 1U 机箱高

前面板


下图表示 PowerConnect 81xx 前面板：

图 1. PowerConnect 81xx 前面板



前面板包括：

- 24/48 固定 10G Base-T 或 SFP+ 端口
- 管理端口
- USB 2.0 端口

 **注：**系统、风扇和电源状态指示灯的 LED 显示在背面板上。

四端口 SFP 上行链路固定端口

PC8164 和 PC8164F 模块具有两个固定 QSFP 端口，每个端口提供以下功能：

- 四个具有四芯 /QBO 电缆的 10G 端口
- 一个支持 CR4、SR4 和 LR4 收发器的 40G 端口
- 前面板端口状态 LED

QSFP 连接可用于堆栈。在长达 100M 的距离支持堆栈。

 **注：**QSFP 模块仅可用于 PowerConnect 81xx 系列交换机。

扩充槽

80 Gbps 扩充槽支持下列模块：

- SFP+（四个 10G 端口）
- 10G Base-T（四个 10G 端口）
- QSFP+（可配置为两个 40G 端口或多达八个 10G 端口）

这些模块单独出售。

UART 接口

UART（通用异步收发机）端口根据工业标准 16550 UART 设备建模。UART 端口提供串行通信功能，可用于与该型号或使用 RS-232 协议的其它外部设备通信。可以借助串行端口直接连接到交换机，并可从通过提供的串行电缆连接到此端口（RJ45 YOST 到内孔 DB-9 连接器）的控制台终端来访问 CLI。

UART 端口可单独配置，并可作为从 1200 波特至 4M 波特的异步链路运行。

UART 接口可使用以下选项编程：

- 5、6、7 或 8 字符位
- 1、1.5 或 2 停止位
- 奇偶校验选项
- 偶数 / 奇数校验（如果启用奇偶校验选项）
- 固定奇偶校验（如果启用奇偶校验选项）

默认设置为 9600 波特率、8 个数据位、无奇偶校验、1 停止位、无流控制。

系统 LED

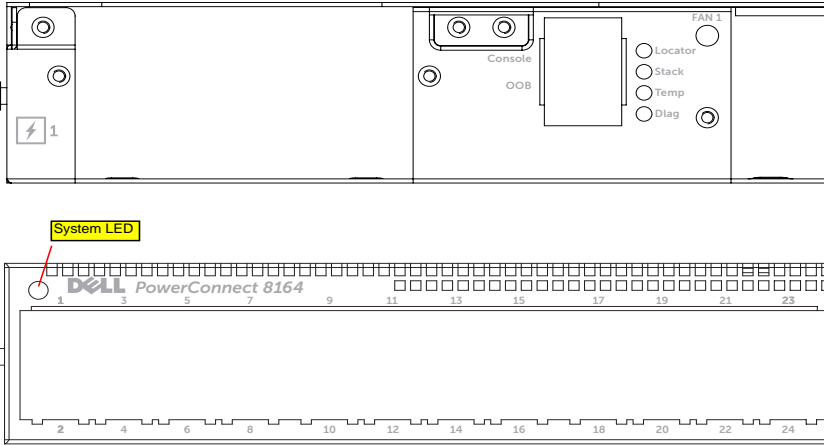
系统包含提供有关 PowerConnect 81xx 设备的系统、温度、诊断、风扇、堆栈和定位器状态的显示的发光二极管 (LED)。表 1 包含状态 LED 定义：

表 1. 系统的 LED 定义

功能	详细说明	注释
系统 LED	<ul style="list-style-type: none">• 稳定蓝色 - 正常运行• 闪烁蓝色 - 正在引导• 稳定红色 - 严重系统错误• 闪烁红色 - 非严重系统错误（风扇故障、电源设备故障）	在前面板上
温度 LED	<ul style="list-style-type: none">• 熄灭 - 正常温度• 稳定琥珀色 - 温度过高^a	在背面板上
诊断 LED	<ul style="list-style-type: none">• 熄灭 - 正常运行• 闪烁绿色 - 正在运行诊断测试	在背面板上
风扇 LED	<ul style="list-style-type: none">• 稳定绿色 - 风扇电源打开且处于预期 RPM• 稳定红色 - 风扇出现故障	在背面板上
堆栈 LED	<ul style="list-style-type: none">• 稳定蓝色 - 切换至堆栈模式• 稳定绿色 - 切换至堆栈从模式• 熄灭 - 切换至独立模式	在背面板上
定位器 LED	<ul style="list-style-type: none">• 闪烁蓝色 - 定位器功能启用• 稳定蓝色 - 定位器功能禁用	在背面板上

a. 热感器系统温度阈值为 75C。超出阈值时，温度 LED 灯呈琥珀色亮起。

图 2. 端口 LED



安装

现场准备

安装交换机之前，请确保选择的安装位置满足以下现场要求：

- 空间正面和背面有足够空间供操作员进行操作。留出用于布线、电源连接以及通风的空间。
- 布线应远离电气噪声干扰源，如无线电发射器、广播放大器、电线以及荧光照明装置。
- 环境温度交换机的运行环境温度范围为 10 至 35C（50 至 95F）。



注：在 900 米（2955 英尺）以上，每升高 300 米（985 英尺）最高温度下降 1C（1.8F）。

- 相对湿度运行相对湿度为 8% 到 85%（非冷凝），最大湿度变化梯度为每小时 10%。

打开交换机包装

包装箱物品

打开每台交换机的包装时，请确保其中包含以下物品：

- 一台 PowerConnect 交换机
- 一根 RJ45 至 DB-9 内孔电缆
- 两套滑轨套件（无需工具）
- 两个 PSU（单独包装）
- 两根交流电源线（特定于国家 / 地区）
- 使用入门指南
- 安全和管制信息
- 保修和支持信息
- 软件许可协议

打开包装步骤



注：在打开交换机的包装之前，先检查包装盒，如有任何损坏迹象，请立即报告。

- 1 将包装盒放在整洁平坦的表面上，然后剪断固定包装盒的所有包装带。
- 2 打开包装盒或取下包装盒盖。
- 3 从包装盒中小心取出交换机，然后将其放在稳固整洁的表面上。
- 4 取出所有包装材料。
- 5 检查产品及附件是否出现损坏。

对交换机进行机架安装

可将交换机放置于机架搁板上或直接安装到 19 英寸宽、符合 EIA-310-E 要求的机架中（四柱、两柱或线形方法）。Dell ReadyRails™ 系统可供 1U 前机架和两柱安装。ReadyRails 系统包含两个单独包装的滑轨部件和两个附加到交换机侧面发运的滑轨。



警告：这是简要参考。请先阅读“安全、环境和管制”信息手册中的安全说明，再开始操作。



注：本说明文件中的示意图不用于表示特定交换机。

机架安装安全说明

- 机架装载过载或装载不均匀可能导致搁板或机架出现故障，从而导致损坏设备和可能造成人身伤害。先在一个固定位置固定机架，再开始装载。在机架底部开始安装组件，然后逐个往上安装到顶部。请勿超过机架额定负载。
- 电源说明仅连接至设备上指定的电源。当在机架中安装多个电子组件时，确保组件总额定功率不超过电路容量。过载电源和延长线会带来火灾和触电危险。
- 更高的环境温度如果安装在封闭的机架部件中，机架环境的操作温度可能高于室温。请小心不要超过交换机的最大环境温度 50 摄氏度。
- 更低的气流将设备安装在机架中，而不会影响安全操作设备所需的气流量。

- 可靠的接地保持可靠的机架安装设备接地。请特别注意提供连接而不是直接连接至分支电路，例如：使用电源线。
- 不能将产品背面板朝向下的位置安装。

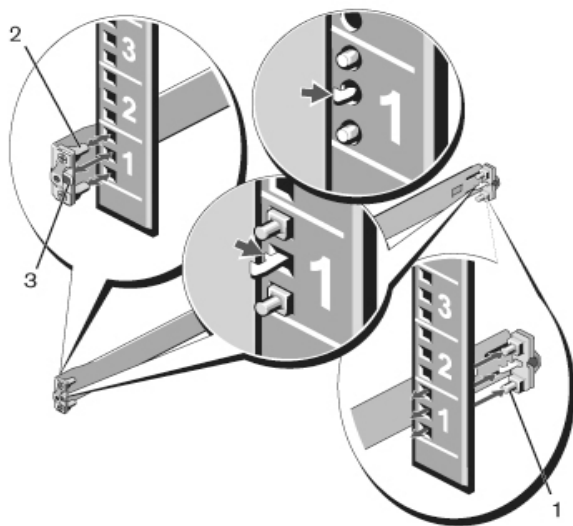
安装 Dell ReadyRails 系统

提供 ReadyRails 机架安装系统以轻松配置机架以便安装交换机。可使用 1U 免工具的方法或三种可能的 1U 需要工具的方法（两柱平齐安装、两柱居中安装或四柱线行安装）之一安装 ReadyRails 系统。

1U 免工具配置（四柱方孔或无螺纹圆孔）

- 1 将 ReadyRails 凸缘吊耳面朝外，将一个滑轨放在左右垂直柱之间。将后端凸缘滑轨连接销对准并插入后端垂直柱凸缘中。在图 3 中，项目 1 及其提取图说明连接销在方孔和无螺纹圆孔中是怎样的。

图 3. 1U 免工具配置



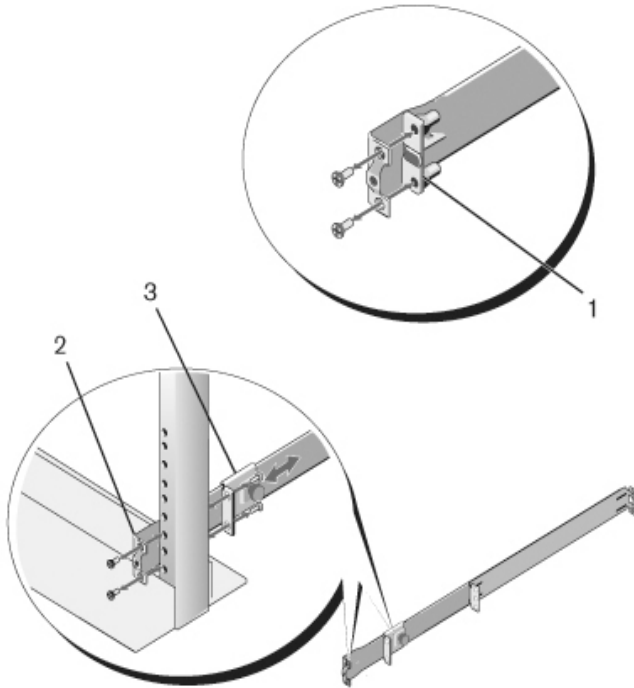
- 2 将前端凸缘连接销对准并插入垂直柱前端的孔中。请参阅图 3，项目 2。

- 3 对第二个滑轨重复此过程。
- 4 要卸下每个滑轨，拉动每个凸缘吊耳上的门锁释放按钮并拔出每个滑轨。请参阅图 3，项目 3。

两柱平齐安装配置

- 1 对于此配置，必须从每个 ReadyRails 部件的前端卸下铸件。请参阅图 4，第 40 页上的项目 1。用 Torx 螺丝刀卸下每个前端凸缘吊耳上的两颗螺钉（在滑轨交换机一侧）并卸下每个铸件。保留铸件供以后机架需要。不必卸下后端凸缘铸件。

图 4. 两柱平齐安装配置



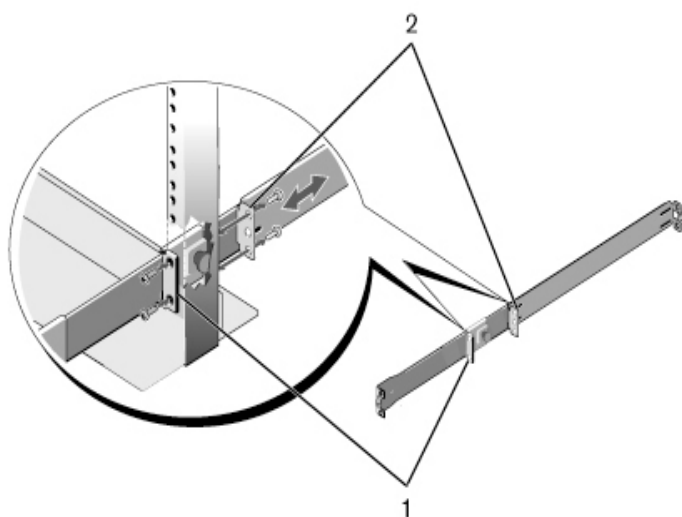
- 2 使用两颗用户提供的螺钉将一个滑轨连接到前柱凸缘。请参阅图 4，项目 2。

- 3 正对垂直柱向前滑动柱塞支架，并使用用户提供的两颗螺钉将柱塞支架固定到垂直柱凸缘。请参阅图 4，项目 3。
- 4 对第二个滑轨重复此过程。

两柱居中安装配置

- 1 向后滑动柱塞支架，直至其卡入到位，并使用用户提供的两颗螺钉将支架固定至前柱凸缘。请参阅图 5，项目 1。

图 5. 两柱居中安装配置

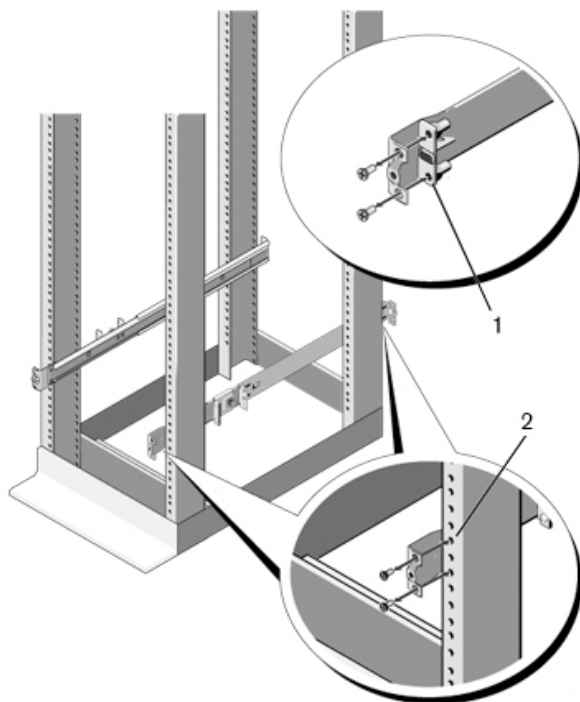


- 2 朝柱子滑动后端支架，并使用用户提供的两颗螺钉将其固定至柱子凸缘。请参阅图 5，项目 2。
- 3 对第二个滑轨重复此过程。

四柱线形配置

- 1 对于此配置，必须从 ReadyRails 部件的各端卸下凸缘吊耳铸件。用 Torx 螺丝刀卸下每个前端凸缘吊耳上的两颗螺钉并卸下每个铸件。请参阅图 6，第页 42 上的项目 1。保留铸件供以后机架需要。
- 2 对于每个滑轨，使用用户提供的两颗螺钉将前端和后端凸缘连接至柱凸缘的各端。请参阅图 6，第页 42 上的项目 2。

图 6. 四柱线形配置



安装交换机

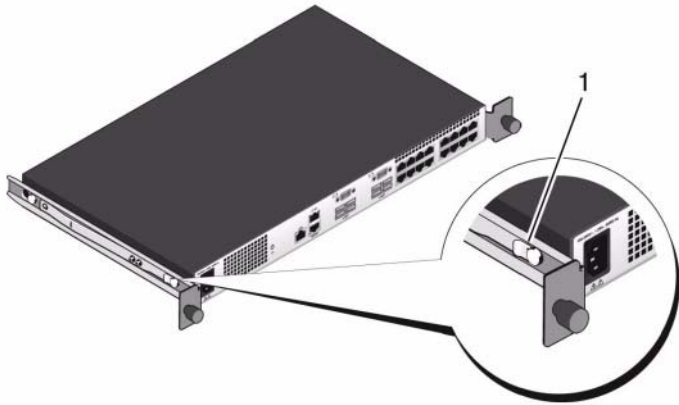
交换机可安装在 1U 前机架和 1U 双柱（平齐和居中）配置中。下面是 1U 前机架配置的示例。1U 双柱（平齐和居中）配置，可以与四柱配置相同的方式将交换机滑入滑轨。

1U 前机架安装

必须配置连接至交换机的滑轨。

- 1 将交换机滑轨（内部机箱成员）连接至 PC81xx 交换机。图 7，项目 1 显示具有锁定卡舌的前定位器的详情。

图 7. 连接交换机滑轨

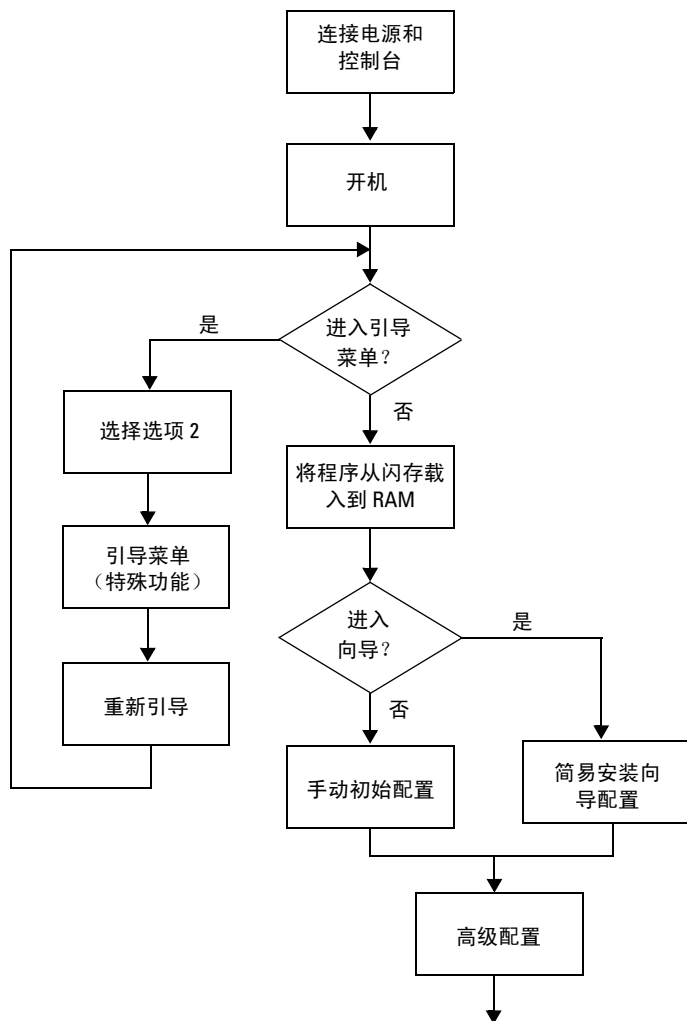


- 2 安装两个交换机滑轨后，在之前安装到机架上的就绪滑轨 (Ready-Rails) 上将其排成一行，并滑入交换机直至与机架前端平齐。在完全插入前的约 3 英寸处，将使用滑轨锁定功能使交换机避免意外滑出机架并掉落。

启动和配置交换机

以下流程图概述了在打开交换机包装并安装好交换机之后，用于进行初始配置的步骤。

图 8. 安装和配置流程图



将交换机连接至终端

完成所有外部连接后，将终端连接至交换机以配置该交换机。



注：在继续操作之前，请阅读本产品的版本注释。您可以从 Dell 支持网站 support.dell.com/support 下载版本注释。



注：我们建议您从 Dell 支持网站 support.dell.com/support 获取最新版本的用户说明文件。

要通过串行控制台监测和配置交换机，请使用交换机背面板的 RJ45 控制台端口，将交换机连接至 VT100 终端或正在运行 VT100 终端仿真软件的计算机。控制台端口可用作数据终端设备 (DTE) 连接器。

要使用控制台端口，需要以下设备：

- VT100 兼容终端，或者一台配备串行端口并运行 VT100 终端仿真软件（如 Microsoft HyperTerminal）的台式机或便携式计算机。
- 一根串行电缆（附带），带有连接控制台端口的 RJ45 连接器和连接终端的 DB-9 连接器。

要将终端连接至交换机控制台端口，请执行以下任务：

- 1 将串行电缆上的 DB-9 连接器与运行 VT100 终端仿真软件的终端或计算机相连。
- 2 按照以下步骤配置终端仿真软件：
 - a 选择适当的串行端口（例如 COM 1）连接到控制台。
 - b 将数据速率设置为 9600 波特。
 - c 将数据格式设置为 8 个数据位、1 个停止位以及无奇偶校验。
 - d 将流控制设置为 none（无）。
 - e 将终端仿真模式设置为 VT100。
 - f 选择终端键作为功能键、箭头键和 Ctrl 键。确保此设置适用于终端键（而不是 Microsoft Windows 键）。



注：在 Microsoft Windows 2000 中使用超级终端时，请确保已安装 Windows 2000 Service Pack 2 或更高版本。使用 Windows 2000 Service Pack 2 可以确保箭头键在超级终端的 VT100 仿真中正常工作。有关 Windows 2000 Service Pack 的详情，请访问 microsoft.com。

- 3 将电缆上的 RJ45 连接器连接至位于交换机背部的 PowerConnect 81xx RJ45 控制台端口。

引导交换机

打开电源时，交换机将进行开机自测 (POST)。POST 在每次初始化交换机时进行，用于检查硬件组件，以确定交换机在完全引导之前是否完全正常运转。如果 POST 检测到严重问题，程序流就会停止。如果 POST 成功通过，将载入一个有效的固件到 RAM 中。POST 信息显示在终端上，用于指出自测是否成功。引导过程大约运行 60 秒。

连接本地终端后，在 POST 第一部分完成后，可以调用 Boot（引导）菜单。从 Boot（引导）菜单中，您可以执行配置任务，例如将系统重置为出厂默认值、激活备份映像或者恢复密码。有关 Boot（引导）菜单功能的详情，请参阅《CLI 参考指南》。

进行初始配置

初始配置步骤基于以下假设条件：

- PowerConnect 交换机此前从未进行过任何配置，其状态与收到时相同。
- PowerConnect 交换机引导成功。
- 控制台连接已建立，并且 Dell 简易安装向导提示信息显示在 VT100 终端或同等终端设备的屏幕上。

通过控制台端口执行初始交换机配置。完成初始配置后，可以通过已连接的控制台端口或远程连接管理交换机。



注：交换机未配置默认的用户名、密码和 IP 地址。

在设置交换机的初始配置之前，从网络管理员处获得以下信息：

- 要分配给带外 (OOB) 接口进行设备管理的 IP 地址。
- OOB 接口的 IP 子网掩码。
- OOB 接口默认网关的 IP 地址。

要通过 Telnet（Telnet 客户端）或 HTTP（Web 浏览器）来远程管理交换机，需要这些设置。

初始配置步骤

可以使用 Dell 简易安装向导或 CLI 来进行初始配置。当交换机配置文件为空时，将自动启动该向导。可以随时通过输入 [ctrl+z] 退出向导，但指定的所有配置设置都将被丢弃，交换机将使用默认值。




注：如果不运行简易安装向导或在 60 秒内没有响应初始简易安装向导提示，交换机会进入 CLI 模式。

有关使用 CLI 进行初始配置的详情，请参阅《CLI 参考指南》。本《使用入门指南》说明如何使用简易安装向导来进行初始交换机配置。该向导设置交换机的以下配置：


- 建立拥有权限的初始用户帐户以及有效的密码。在安装过程中，该向导将配置一个具有权限的用户帐户。
- 启用 CLI 登录和 HTTP 访问，以便仅使用本地验证设置。
- 设置 OOB 接口的 IP 地址。
- 设置 SNMP 管理器在指定 IP 地址要使用的 SNMP 团体字符串。如果该交换机不使用 SNMP 管理，则可以选择跳过这一步。

示例会话

本节介绍了一个简易安装向导会话。示例会话将使用以下值：

 **注：**当交换机从箱子中取出或设置为工厂默认值时，没有用户名、密码或 IP 地址。

- SNMP 未启用。
- 默认用户名 **root** 已接受，而且密码 **admin123** 已输入。在输入密码时，向导不会显示密码。
- OOB 管理接口使用 **192.168.2.1** 来分配 IP 地址。

 **注：**在以下示例中，可能的用户选项或默认值包括在 [] 中。如果未定义选项，按 <Enter> 键将接受默认值。帮助文本在括号中。

以下示例包含与使用上面列出的输入值运行 **Dell Easy Setup Wizard**（Dell 简易安装向导）示例会话相关的提示序列和响应。

交换机完成 POST 并引导后，将显示以下文本信息：

```
(Unit 1-Waiting to select management unit)>
```

```
Applying Global configuration, please wait ...
```

```
Welcome to Dell Easy Setup Wizard
```

```
The Setup Wizard guides you through the initial switch configuration, and gets you up and running as quickly as possible. You can skip the setup wizard, and enter CLI mode to manually configure the switch. You must respond to the next question to run the setup wizard within 60 seconds, otherwise the system will continue with normal operation using the default system configuration. Note: You can exit the setup wizard at any point by entering [ctrl+z].
```

```
Would you like to run the setup wizard (you must answer this question within 60 seconds)? [Y/N] Y
```

First:

Do you want to select the operational mode as Simple Mode? [Y/N] **y**

Step 1:

The system is not setup for SNMP management by default. To manage the switch using SNMP (required for Dell Network Manager) you can

- . Set up the initial SNMP version 2 account now.
- . Return later and setup other SNMP accounts. (For more information on setting up an SNMP version 1 or 3 account, see the user documentation).

Would you like to setup the SNMP management interface now? [Y/N] **n**

Step 2:

Now we need to setup your initial privilege (Level 15) user account. This account is used to login to the CLI and Web interface. You may setup other accounts and change privilege levels later. For more information on setting up user accounts and changing privilege levels, see the user documentation.

To setup a user account:

Please enter the user name. [root]:

Please enter the user password:

Please reenter the user password:

Step 3:

Next, IP addresses are setup on the OOB (Out-Of-Band) Interface and/or the VLAN1 routing interface.

You can use these IP addresses to access the CLI, Web interface, or SNMP interface of the switch.

To access the switch through any Management Interface you can

- . Setup the IP address for the Management Interface.
- . Setup the default gateway if IP address is manually configured on both routing and OOB interface.

Would you like to setup the Out-Of-Band interface now?
[Y/N] **y**

Please enter the IP address of the device (A.B.C.D) or enter "DHCP" (without the quotes) to automatically request an IP address from the network DHCP server.
[192.168.2.1]:

Please enter the IP subnet mask (A.B.C.D or /nn).
[255.255.255.0]:

This is the configuration information that has been collected:

Operational Mode = Simple

User Account setup = root

Password = *****

Out-of-band IP address = 192.168.2.1 255.255.255.0

Final Step:

If the information is correct, please enter (Y) to save the configuration, and copy the settings to the start-up configuration file. If the information is incorrect, enter (N) to discard the configuration and restart the wizard: [Y/N] **y**

Thank you for using the Dell Easy Set up Wizard. You will now enter CLI mode.

Applying Interface configuration, please wait ...

console>

接下来的步骤

完成本节所述的初始配置后，您可以将任意前面板交换机端口连接到生产网络以便进行带内远程管理。

如果指定 DHCP 来分配 OOB 管理接口 IP 地址，则该接口会从网络上的 DHCP 服务器获得 IP 地址。要发现动态分配的 IP 地址，请使用控制台端口连接来发出以下命令：

show ip interface out-of-band。

要访问 Dell OpenManage Switch Administrator 界面，请在 Web 浏览器的地址字段中输入 OOB 管理接口 IP 地址。要对 CLI 进行远程管理访问，请在 Telnet 或 SSH 客户端中输入 OOB 管理接口 IP 地址。或者，可以继续使用控制台端口对交换机进行本地 CLI 访问。

您的 PowerConnect 81xx 交换机支持基本的交换功能，如 VLAN、802.1X、RADIUS 和 TACACS+。有关在简单模式中支持的功能的详情，请参阅“简单交换机模式”：端口聚合器功能白皮书。

如果将交换机配置为在普通模式下工作，也能支持诸如生成树协议之类的功能，以及高级第 3 层功能（如动态路由和多点传送）。使用基于 Web 的管理接口或 CLI 可配置您的网络需要的功能。有关如何配置交换机功能的信息，请参阅《*Users Configuration Guide*》（用户配置指南）或《*CLI Reference Guide*》（CLI 参考指南），这些资料可从以下支持站点获取：support.dell.com/support。

Dell PowerConnect

81xx 系列 交換器

入門指南

管制型號：PC8132、PC8132F、
PC8164、PC8164F



注



註：「注」表示可以幫助您更好地使用電腦的重要資訊。



警示：「警示」表示如果不遵循說明，就有可能損壞硬體或導致資料丟失。

本出版物中的資訊如有變更，恕不另行通知。

© 2012 Dell Inc. 版權所有，翻印必究。

未經 Dell Inc. 書面許可，嚴禁以任何形式對這些材料進行複製。

本文中使用的商標：Dell™、DELL 徽標、PowerConnect™、OpenManage™、ReadyRails™ 和 Torx™ 是 Dell Inc. 的商標。Microsoft®、Windows® 是 Microsoft Corporation 在美國和 / 或其他國家 / 地區的註冊商標。

本出版物中述及其他商標和產品名稱是指擁有相應商標和產品名稱的公司或其製造的產品。Dell Inc. 對本公司的商標和產品名稱之外的其他商標和產品名稱不擁有任何專有權。

管制型號：PC8132、PC8132F、PC8164、PC8164F

2012 年 2 月 P/N JHCTM Rev. A00

目錄

1	簡介	57
	功能	57
2	硬體概覽	58
	前板	59
	四連接埠 SFP 上行連結固定連接埠	60
	擴充槽	60
	UART 介面	60
	系統 LED	61
3	安裝	63
	現場準備	63
	打開交換器包裝	63
	包裝箱物品	63
	打開包裝步驟	64
	對交換器進行機架安裝	64
	機架安裝安全說明	64
	安裝 Dell ReadyRails 系統	65
	安裝交換器	69

4 啟動和設定交換器	70
將交換器連接至終端機	71
開機交換器	72
進行初始組態	72
初始組態步驟	73
示例工作階段	74
接下來的步驟	77

簡介

本說明文件介紹有關 Dell PowerConnect 81xx 系列交換器 PC8132、PC8132F、PC8164、PC8164F 的基本資訊，包括如何安裝交換器並進行初始組態。有關如何設定和監測交換器功能的資訊，請參閱 Dell 支援 Web 網站上的《User's Configuration Guide》（使用者組態指南）。要獲取有關說明文件及韌體的最新更新，請存取該站點，網址為 <http://support.dell.com/support>。

本說明文件包含以下部分：

- 硬體概覽
- 安裝
- 啟動和設定交換器

功能

PowerConnect 8100 系列為高度可延展、不間斷網路交換器，適用於校園聚合和核心交換 10 GbE 部署。第 3 層交換器系列提供對要求苛刻的企業和業務基礎結構供電所需的 10/40 GbE 線速效能，同時通過簡化管理實現可延展性和高密度 10 GbE 運行。

PC8100 系列提供適用於小型核心與聚合部署的高可用性和冗餘，這有助於擴張您的網路到高密度 10 GbE 運行以及適用於企業核心的 40 GbE。該系列有 10GbE 或 40GbE 連接埠、可作為單個邏輯單元管理，以及電源設備、風扇和韌體映像冗餘，可提供高密度堆疊。簡化的管理還包括 USB 快速部署功能，以加速啟動時的網路定址，以及簡化整個堆疊的韌體映像安裝。靈活的管理選項包括工業標準 CLI、使用嵌入式 Web 伺服器的遠端管理，以及對包括 Dell OpenManage Network Manager 在內的基於 SNMP 的管理應用程式的支援。

PC8100 系列包括存儲網路支援和 iSCSI 優化。為簡化與 Dell EqualLogic 陣列的連接性，所有 8100 系列交換器中的 iSCSI 自動組態功能均可自動檢測陣列並設定交換器以獲得最優輸送量。此功能預設為啟用，將該過程簡化為只需連接纜線。通過單個命令組態也簡化了與 Dell Compellent 陣列的連接性。

Dell 設計了 PowerConnect 8100 系列，用於節省從電源線到連接埠的能源，從支援 EEE 的連接埠開始，降低所有連接埠的有源和無源連接埠功耗。除了可以在所有模式下高效運行的冗餘電源設備，變速風扇還可通過多個溫度監測器調整其環境速度來減少消耗。最後，PC8100 系列還包括 Dell 的終生有限保證和終生基本硬體服務（維修或更換）。

硬體概覽

本節包含有關 交換器 PowerConnect 81xx 設備特性和模組化硬體組態的資訊。

PowerConnect 81xx 的物理尺寸如下所示：

- 440 x 460 x 44 毫米（寬 x 厚 x 高）。
- 17.32 x 18.11 x 1.73 英寸（寬 x 厚 x 高）。

PowerConnect 81xx 採用具有四種解決方案以及 640 Gbps 和 320 Gbps 交換頻寬的機箱設計，如下所列：

- 1 PC8132F - 24 連接埠 SFP+ 10G + 40G/80G 擴充模組
- 2 PC8164F - 48 連接埠 SFP+ 10G + 2 連接埠 40G QSFP + 40G/80G 擴充模組
- 3 PC8132 - 24 連接埠 10GBaseT + 40G/80G 擴充模組
- 4 PC8164 - 48 連接埠 10GBaseT + 2 連接埠 40G QSFP + 40G/80G 擴充模組

模組插槽可插入三種模組：

- SFP+
- 10G Base-T
- QSFP+

系統還提供一個 RS-232 介面 RJ45 類型的主控臺連接埠和一個專用乙太網路服務連接埠用於 OOB 管理功能。

PC81xx 具有以下功能：

- 支援一個 USB 連接埠
- 四十八個 10 Gbps 連接埠用於 1G/10G 收發機
- 兩個固定 40 Gbps QSFP 連接埠用於 40G 收發機
- 一個 80 Gbps 擴充槽用於 SFP+、10G Base-T 和 QSFP+ 模組
- 具有大記憶體的機載高效能 CPU 系統。XLP308H/256 MB NOR Flash/2GB DDR III RAM。
- 溫度監測 (TMP75)
- 軟體可讀取溫度監測
- RTC 時鐘支援

- 熱插拔冗餘電源設備
- 電源管理的電流監測
- 風扇可拆卸，也可能損壞
- 標準 1U 機箱高

前板

下圖表示 PowerConnect 81xx 前板：

圖 1. PowerConnect 81xx 前板



QSFP+ 連接埠

前板包括：

- 24/48 固定 10G Base-T 或 SFP+ 連接埠
- 管理連接埠
- USB 2.0 連接埠



註：系統、風扇和電源狀態指示燈的 LED 顯示在背面板上。

四連接埠 SFP 上行連結固定連接埠

PC8164 和 PC8164F 模組具有兩個固定 QSFP 連接埠，每個連接埠提供以下功能：

- 四個具有四芯 /QBO 纜線的 10G 連接埠
- 一個支援 CR4、SR4 和 LR4 收發機的 40G 連接埠
- 前板連接埠狀態 LED

QSFP 連接埠可用於堆疊。在長達 100M 的距離支援堆疊。



註：QSFP 模組僅可用於 PowerConnect 81xx 系列交換器。

擴充槽

80 Gbps 擴充槽支援下列模組：

- SFP+（四個 10G 連接埠）
- 10G Base-T（四個 10G 連接埠）
- QSFP+（可設定為兩個 40G 連接埠或多達八個 10G 連接埠）

這些模組單獨出售。

UART 介面

UART（通用非同步收發機）連接埠根據工業標準 16550 UART 設備建模。UART 連接埠提供序列通訊功能，可用於與該型號或使用 RS-232 通訊協定的其他外部設備通訊。可以借助序列連接埠直接連接到交換器，並可從通過提供的序列纜線連接到此連接埠（RJ45 YOST 到內孔 DB-9 連接器）的主控臺終端機來存取 CLI。

UART 連接埠可單獨設定，並可作為從 1200 波特至 4M 波特的非同步連結運行。

UART 介面可使用以下選項編程：

- 5、6、7 或 8 字元位元
- 1、1.5 或 2 停止位元
- 同位檢查選項
- 偶數 / 奇數同位檢查（如果啟用同位檢查選項）
- 固定同位檢查（如果啟用同位檢查選項）

預設為 9600 序列傳輸速率、8 個資料位元、無同位檢查、1 停止位元、無流控制。

系統 LED

系統包含提供有關 PowerConnect 81xx 設備的系統、溫度、診斷、風扇、堆疊和定位器狀態的顯示的發光二極體 (LED)。表 1 包含狀態 LED 定義：

表 1. 系統的 LED 定義

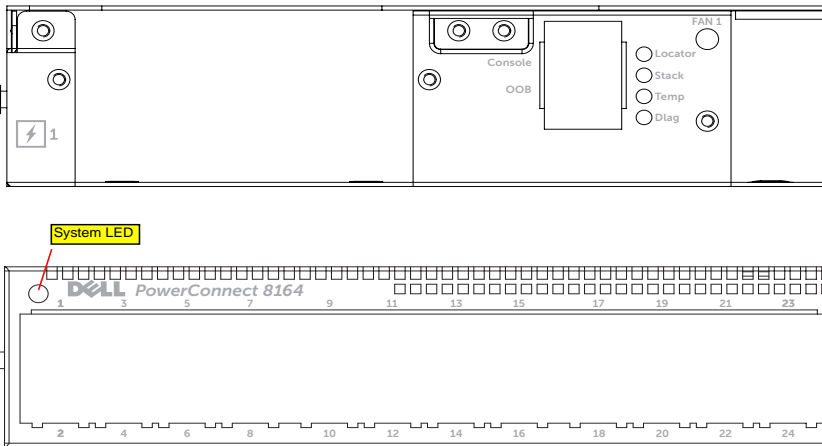
功能	詳細說明	注釋
系統 LED	<ul style="list-style-type: none">• 穩定藍色 - 正常運行• 閃爍藍色 - 正在開機• 穩定紅色 - 嚴重系統錯誤• 閃爍紅色 - 非嚴重系統錯誤 (風扇故障、電源設備故障)	在前板上
溫度 LED	<ul style="list-style-type: none">• 熄滅 - 正常溫度• 穩定琥珀色 - 溫度過高^a	在背板上
診斷 LED	<ul style="list-style-type: none">• 熄滅 - 正常運行• 閃爍綠色 - 正在運行診斷測試	在背板上
風扇 LED	<ul style="list-style-type: none">• 穩定綠色 - 風扇電源打開且處於預期 RPM• 穩定紅色 - 風扇出現故障	在背板上
堆疊 LED	<ul style="list-style-type: none">• 穩定藍色 - 切換至堆疊模式• 穩定綠色 - 切換至堆疊從模式• 熄滅 - 切換至獨立模式	在背板上

表 1. 系統的 LED 定義 (續)

功能	詳細說明	注釋
定位 LED	<ul style="list-style-type: none"> 閃爍藍色 - 定位器功能啟用 穩定藍色 - 定位器功能禁用 	在背板上

a. 熱感器系統溫度閾值為 75C。超出閾值時，溫度 LED 燈呈琥珀色亮起。

圖 2. 連接埠 LED



安裝

現場準備

安裝交換器之前，請確保選擇的安裝位置滿足以下現場要求：

- **空間**正面和背面有足夠空間供操作員進行操作。留出用於佈線、電源連接以及通風的空間。
- **佈線**佈線應遠離電氣噪音干擾源，如無線電發射器、廣播放大器、電線以及螢光照明裝置。
- **環境溫度**交換器的運行環境溫度範圍為 10 至 35C (50 至 95F)。



註：在 900 米 (2955 英尺) 以上，每升高 300 米 (985 英尺) 最高溫度下降 1C (1.8F)。

- **相對濕度**運行相對濕度為 8% 到 85% (非冷凝)，最大濕度變化梯度為每小時 10%。

打開交換器包裝

包裝箱物品

打開每台交換器的包裝時，請確保其中包含以下物品：

- 一台 PowerConnect 交換器
- 一根 RJ45 至 DB-9 內孔纜線
- 兩套滑軌套件 (無需工具)
- 兩個 PSU (單獨包裝)
- 兩根交流電源線 (特定於國家 / 地區)
- 入門指南
- 安全和管制資訊
- 保證和支援資訊
- 軟體授權合約

打開包裝步驟



註：在打開交換器的包裝之前，先檢查包裝盒，如有任何損壞跡象，請立即報告。

- 1 將包裝盒放在整潔平坦的表面上，然後剪斷固定包裝盒的所有包裝帶。
- 2 打開包裝盒或取下包裝盒蓋。
- 3 從包裝盒中小心取出交換器，然後將其放在穩固整潔的表面上。
- 4 取出所有包裝材料。
- 5 檢查產品及附件是否出現損壞。

對交換器進行機架安裝

可將交換器放置於機架擱板上或直接安裝到 19 英寸寬、符合 EIA-310-E 要求的機架中（四柱、兩柱或線形方法）。Dell ReadyRails™ 系統可供 1U 前機架和兩柱安裝。ReadyRails 系統包含兩個單獨包裝的滑軌部件和兩個附加到交換器側面發運的滑軌。



警告：這是簡要參考。請先閱讀「安全、環境和管制」資訊手冊中的安全說明，再開始操作。



註：本說明文件中的示意圖不用於表示特定交換器。

機架安裝安全說明

- 機架裝載超載或裝載不均勻可能導致擱板或機架出現故障，從而導致損壞設備和可能造成人身傷害。先在一個固定位置固定機架，再開始裝載。在機架底部開始安裝元件，然後逐個往上安裝到頂部。請勿超過機架額定負載。
- 電源說明僅連接至設備上指定的電源。當在機架中安裝多個電子元件時，確保元件總額定功率不超過電路容量。超載電源和延長線會帶來火災和觸電危險。
- 更高的環境溫度如果安裝在封閉的機架部件中，機架環境的操作溫度可能高於室溫。請小心不要超過交換器的最大環境溫度 50 攝氏度。
- 更低的氣流將設備安裝在機架中，而不會影響安全操作設備所需的氣流量。

- 可靠的接地保持可靠的機架安裝設備接地。請特別注意提供連接而不是直接連接至分支電路，例如：使用電源線。
- 不能將產品背面板朝向下的位置安裝。

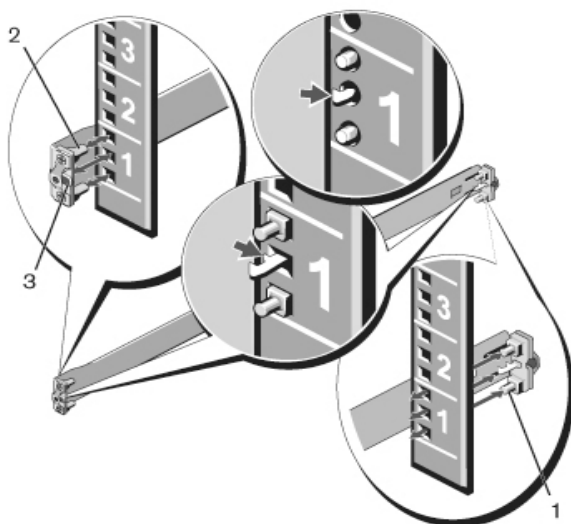
安裝 Dell ReadyRails 系統

提供 ReadyRails 機架安裝系統以輕鬆設定機架以便安裝交換器。可使用 1U 免工具的方法或三種可能的 1U 需要工具的方法（兩柱平齊安裝、兩柱居中安裝或四柱線行安裝）之一安裝 ReadyRails 系統。

1U 免工具組態（四柱方孔或無螺紋圓孔）

- 1 將 ReadyRails 凸緣吊耳面朝外，將一個滑軌放在左右垂直柱之間。將後端凸緣滑軌連接銷對準並插入後端垂直柱凸緣中。在圖 3 中，項目 1 及其提取圖說明連接銷在方孔和無螺紋圓孔中是怎樣的。

圖 3. 1U 免工具組態

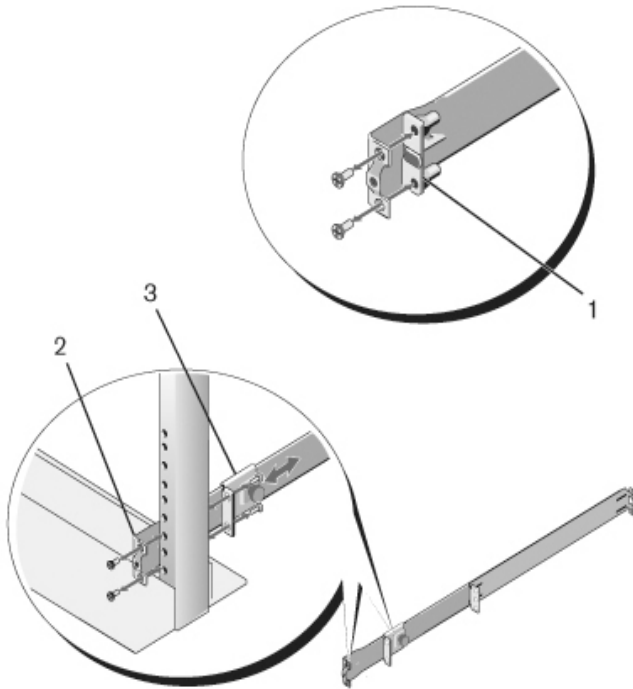


- 2 將前端凸緣連接銷對準並插入垂直柱前端的孔中。請參閱圖 3，項目 2。
- 3 對第二個滑軌重複此過程。
- 4 要卸下每個滑軌，拉動每個凸緣吊耳上的門鎖釋放按鈕並拔出每個滑軌。請參閱圖 3，項目 3。

兩柱平齊安裝組態

- 1 對於此組態，必須從每個 ReadyRails 部件的前端卸下鑄件。請參閱圖 4，頁碼 66 上的項目 1。用 Torx 螺絲刀卸下每個前端凸緣吊耳上的兩顆螺釘（在滑軌交換器一側）並卸下每個鑄件。保留鑄件供以後機架需要。不必卸下後端凸緣鑄件。

圖 4. 兩柱平齊安裝組態

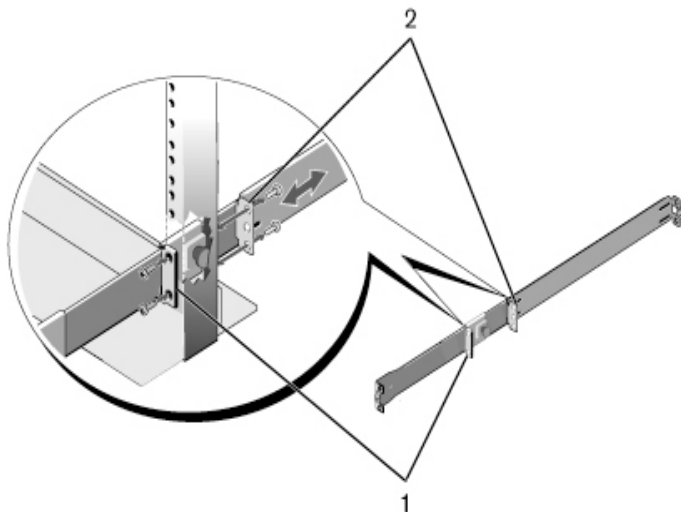


- 2 使用兩顆使用者提供的螺釘將一個滑軌連接到前柱凸緣。請參閱圖 4，項目 2。
- 3 正對垂直柱向前滑動柱塞支架，並使用使用者提供的兩顆螺釘將柱塞支架固定到垂直柱凸緣。請參閱圖 4，項目 3。
- 4 對第二個滑軌重複此過程。

兩柱居中安裝組態

- 1 向後滑動柱塞支架，直至其卡入到位，並使用使用者提供的兩顆螺釘將支架固定至前柱凸緣。請參閱圖 5，項目 1。

圖 5. 兩柱居中安裝組態

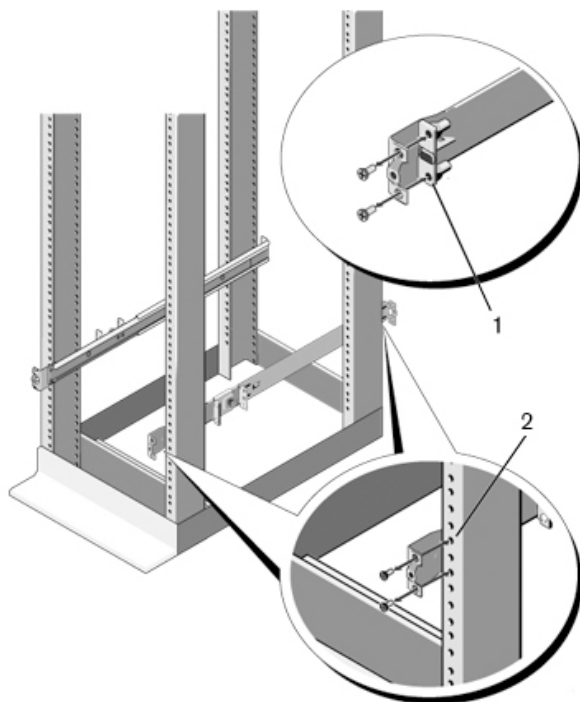


- 2 朝柱子滑動後端支架，並使用使用者提供的兩顆螺釘將其固定至柱子凸緣。請參閱圖 5，項目 2。
- 3 對第二個滑軌重複此過程。

四柱線形組態

- 1 對於此組態，必須從 ReadyRails 部件的各端卸下凸緣吊耳鑄件。用 Torx 螺絲刀卸下每個前端凸緣吊耳上的兩顆螺釘並卸下每個鑄件。請參閱圖 6，頁碼 68 上的項目 1。保留鑄件供以後機架需要。
- 2 對於每個滑軌，使用使用者提供的兩顆螺釘將前端和後端凸緣連接至柱凸緣的各端。請參閱圖 6，頁碼 68 上的項目 2。

圖 6. 四柱線形組態



安裝交換器

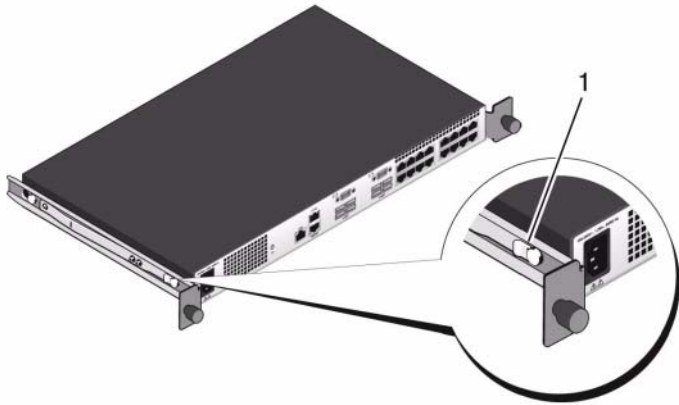
交換器可安裝在 1U 前機架和 1U 雙柱（平齊和居中）組態中。下面是 1U 前機架組態的示例。1U 雙柱（平齊和居中）組態，可以與四柱組態相同的方式將交換器滑入滑軌。

1U 前機架安裝

必須設定連接至交換器的滑軌。

- 1 將交換器滑軌（內部機箱成員）連接至 PC81xx 交換器。圖 7，項目 1 顯示具有鎖定卡舌的前定位器的詳情。

圖 7. 連接交換器滑軌

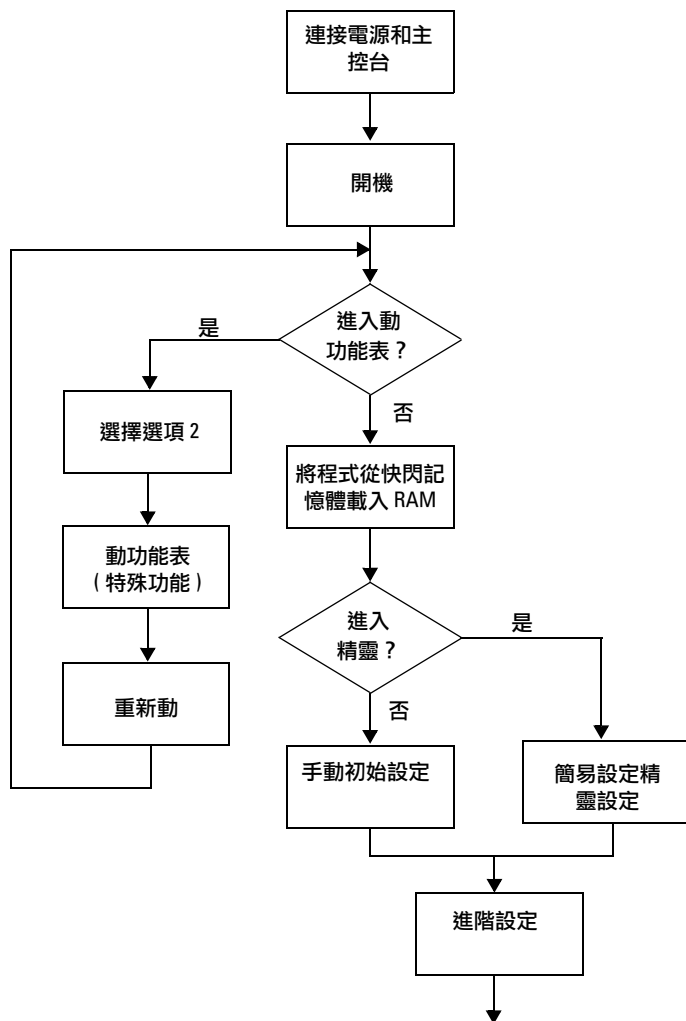


- 2 安裝兩個交換器滑軌後，在之前安裝到機架上的就緒滑軌 (Ready-Rails) 上將其排成一行，並滑入交換器直至與機架前端平齊。在完全插入前的約 3 英寸處，將使用滑軌鎖定功能使交換器避免意外滑出機架並掉落。

啟動和設定交換器

以下流程圖概述了在打開交換器包裝並安裝好交換器之後，用於進行初始組態的步驟。

圖 8. 安裝和設定流程圖



將交換器連接至終端機

完成所有外部連接後，將終端機連接至交換器以設定該交換器。



註：在繼續操作之前，請閱讀本產品的版本注釋。可以從 Dell 支援 Web 站點 support.dell.com/support 下載版本注釋。



註：我們建議您從 Dell 支援網站 support.dell.com/support 獲取最新版本的使用者說明文件。

要通過序列主控臺監測和設定交換器，請使用交換器背板的 RJ45 主控臺連接埠，將交換器連接至 VT100 終端機或正在運行 VT100 終端機模擬軟體的電腦。主控臺連接埠可用作資料終端機設備 (DTE) 連接器。

要使用主控臺連接埠，需要以下設備：

- VT100 相容終端機，或者一台配備序列連接埠並運行 VT100 終端機模擬軟體（如 Microsoft HyperTerminal）的臺式機或可式電腦。
- 一根序列纜線（附帶），帶有連接主控臺連接埠的 RJ45 連接器和連接終端機的 DB-9 連接器。

要將終端機連接至交換器主控臺連接埠，請執行以下任務：

- 1 將序列纜線上的 DB-9 連接器與運行 VT100 終端機模擬軟體的終端機或電腦相連。
- 2 按照以下步驟設定終端機模擬軟體：
 - a 選擇適當的序列連接埠（例如 COM 1）連接到主控臺。
 - b 將資料速率設定為 9600 波特。
 - c 將資料格式設定為 8 個資料位元、1 個停止位以及無同位檢查。
 - d 將流控制設定為 none（無）。
 - e 將終端機模擬模式設定為 VT100。
 - f 選擇終端鍵作為功能鍵、箭頭鍵和 Ctrl 鍵。確保此設定適用於終端鍵（而不是 Microsoft Windows 鍵）。



註：在 Microsoft Windows 2000 中使用超級終端機時，請確保已安裝 Windows 2000 Service Pack 2 或更高版本。使用 Windows 2000 Service Pack 2 可以確保箭頭鍵在超級終端機的 VT100 模擬中正常工作。有關 Windows 2000 Service Pack 的詳情，請存取 microsoft.com。

- 3 將纜線上的 RJ45 連接器連接至位於交換器背部的 PowerConnect 81xx RJ45 主控臺連接埠。

開機交換器

打開電源時，交換器將進行開機自測 (POST)。POST 在每次初始化交換器時進行，用於檢查硬體元件，以確定交換器在完全開機之前是否完全正常運轉。如果 POST 檢測到嚴重問題，程式流就會停止。如果 POST 成功通過，將載入一個有效的韌體到 RAM 中。POST 資訊顯示在終端機上，用於指出自測是否成功。開機過程大約運行 60 秒。

連接本地終端機後，在 POST 第一部分完成後，可以調用 Boot（開機）功能表。從 Boot（開機）功能表中，您可以執行組態任務，例如將系統重設為出廠預設值、啟動備份映像或者恢復密碼。有關 Boot（開機）功能表功能的詳情，請參閱《CLI 參考指南》。

進行初始組態

初始組態步驟基於以下假設條件：

- PowerConnect 交換器此前從未進行過任何組態，其狀態與收到時相同。
- PowerConnect 交換器開機成功。
- 主控臺連接已建立，並且 Dell 簡易安裝精靈提示資訊顯示在 VT100 終端機或同等終端機設備的螢幕上。

通過主控臺連接埠執行初始交換器組態。完成初始組態後，可以通過已連接的主控臺連接埠或遠端連接管理交換器。



註：交換器未設定預設的使用者名稱、密碼和 IP 位址。

在設定交換器的初始組態之前，從網路管理員處獲得以下資訊：

- 要分配給帶外 (OOB) 介面進行設備管理的 IP 位址。
- OOB 介面的 IP 子網路遮罩。
- OOB 介面預設閘道的 IP 位址。

要通過 Telnet（Telnet 用戶端）或 HTTP（Web 瀏覽器）來遠端管理交換器，需要這些設定。

初始組態步驟

可以使用 Dell **簡易安裝精靈**或 CLI 來進行初始組態。當交換器組態檔為空時，將自動啟動該精靈。可以隨時通過輸入 [ctrl+z] 退出精靈，但指定的所有組態設定都將被丟棄，交換器將使用預設值。




註：如果不運行簡易安裝精靈或在 60 秒內沒有回應初始簡易安裝精靈提示，交換器會進入 CLI 模式。

有關使用 CLI 進行初始組態的詳情，請參閱《*CLI 參考指南*》。本使用入門指南說明如何使用簡易安裝精靈來進行初始交換器組態。該精靈設定交換器的以下組態：


- 建立擁有許可權的初始使用者帳戶以及有效的密碼。在安裝過程中，該精靈將設定一個具有許可權的使用者帳戶。
- 啟用 CLI 登入和 HTTP 存取，以便僅使用本機驗證設定。
- 設定 OOB 介面的 IP 位址。
- 設定 SNMP 管理器在指定 IP 位址要使用的 SNMP 團體字串。如果該交換器不使用 SNMP 管理，則可以選擇跳過這一步。

示例工作階段

本節介紹了一個簡易安裝精靈工作階段。示例工作階段將使用以下值：

 **註：**當交換器從箱子中取出或設定為工廠預設值時，沒有使用者名稱、密碼或 IP 位址。

- SNMP 未啟用。
- 預設使用者名稱 `root` 已接受，而且密碼 `admin123` 已輸入。在輸入密碼時，精靈不會顯示密碼。
- OOB 管理介面使用 `192.168.2.1` 來分配 IP 位址。

 **註：**在以下示例中，可能的使用者選項或預設值包括在 [] 中。如果未定義選項，按 `<Enter>` 鍵將接受預設值。幫助文字在括弧中。

以下示例包含與使用上面列出的輸入值運行 Dell 簡易安裝精靈示例工作階段相關的提示和回應序列。

交換器完成 POST 並開機後，將顯示以下文字資訊：

```
(Unit 1-Waiting to select management unit)>
```

```
Applying Global configuration, please wait ...
```

```
Welcome to Dell Easy Setup Wizard
```

```
The Setup Wizard guides you through the initial switch configuration, and gets you up and running as quickly as possible. You can skip the setup wizard, and enter CLI mode to manually configure the switch. You must respond to the next question to run the setup wizard within 60 seconds, otherwise the system will continue with normal operation using the default system configuration. Note: You can exit the setup wizard at any point by entering [ctrl+z].
```

```
Would you like to run the setup wizard (you must answer this question within 60 seconds)? [Y/N] Y
```

First:

Do you want to select the operational mode as Simple Mode? [Y/N] **y**

Step 1:

The system is not setup for SNMP management by default. To manage the switch using SNMP (required for Dell Network Manager) you can

- . Set up the initial SNMP version 2 account now.
- . Return later and setup other SNMP accounts. (For more information on setting up an SNMP version 1 or 3 account, see the user documentation).

Would you like to setup the SNMP management interface now? [Y/N] **n**

Step 2:

Now we need to setup your initial privilege (Level 15) user account. This account is used to login to the CLI and Web interface. You may setup other accounts and change privilege levels later. For more information on setting up user accounts and changing privilege levels, see the user documentation.

To setup a user account:

Please enter the user name. [root]:

Please enter the user password:

Please reenter the user password:

Step 3:

Next, IP addresses are setup on the OOB (Out-Of-Band) Interface and/or the VLAN1 routing interface.

You can use these IP addresses to access the CLI, Web interface, or SNMP interface of the switch.

To access the switch through any Management Interface you can

- . Setup the IP address for the Management Interface.
- . Setup the default gateway if IP address is manually configured on both routing and OOB interface.

Would you like to setup the Out-Of-Band interface now?
[Y/N] **y**

Please enter the IP address of the device (A.B.C.D) or enter "DHCP" (without the quotes) to automatically request an IP address from the network DHCP server.
[192.168.2.1]:

Please enter the IP subnet mask (A.B.C.D or /nn).
[255.255.255.0]:

This is the configuration information that has been collected:

Operational Mode = Simple

User Account setup = root

Password = *****

Out-of-band IP address = 192.168.2.1 255.255.255.0

Final Step:

If the information is correct, please enter (Y) to save the configuration, and copy the settings to the start-up configuration file. If the information is incorrect, enter (N) to discard the configuration and restart the wizard: [Y/N] **y**

Thank you for using the Dell Easy Set up Wizard. You will now enter CLI mode.

Applying Interface configuration, please wait ...

console>

接下來的步驟

完成本節所述的初始組態後，您可以將任意前板交換器連接埠連接到生產網路以便進行帶內遠端管理。

如果指定 DHCP 來分配 OOB 管理介面 IP 位址，則該介面會從網路上的 DHCP 伺服器獲得 IP 位址。要發現動態分配的 IP 位址，請使用主控臺連接埠連接來發出以下命令：

```
show ip interface out-of-band。
```

要存取 Dell OpenManage Switch Administrator 介面，請在 Web 瀏覽器的位址欄位中輸入 OOB 管理介面 IP 位址。要對 CLI 進行遠端管理存取，請在 Telnet 或 SSH 用戶端中輸入 OOB 管理介面 IP 位址。或者，可以繼續使用主控臺連接埠對交換器進行本機 CLI 存取。

您的 PowerConnect 81xx 交換器支援基本的交換功能，如 VLAN、802.1X、RADIUS 和 TACACS+。有關在簡單模式中支援的功能的詳情，請參閱 *簡單交換器模式：連接埠聚合器功能白皮書*。

如果將交換器設定為在普通模式下工作，也能支援諸如跨距樹狀目錄通訊協定之類的功能，以及進階第 3 層功能（如動態路由和多點傳送）。使用基於 Web 的管理介面或 CLI 可設定您的網路需要的功能。有關如何設定交換器功能的資訊，請參閱《*User's Configuration Guide*》（使用者組態指南）或《*CLI 參考指南*》，這些資料可從以下支援站點獲取：

support.dell.com/support。

Commutateur Dell PowerConnect 81xx Series Guide de mise en route

Modèle réglementaire : PC8132, PC8132F,
PC8164, PC8164F



Remarques



REMARQUE : Une REMARQUE indique des informations importantes qui peuvent vous aider à mieux utiliser votre ordinateur.



PRÉCAUTION : Une PRECAUTION indique un risque potentiel d'endommagement du matériel ou de pertes de données si les instructions ne sont pas suivies.

Les informations contenues dans ce document peuvent être modifiées sans préavis.

© 2012 Dell Inc. tous droits réservés.

La reproduction de ce document de quelque manière que ce soit sans l'autorisation écrite de Dell Inc. est strictement interdite.

Marques utilisées dans ce document : Dell™, le logo DELL, PowerConnect™, et OpenManage™, ReadyRails™ et Torx™ sont des marques commerciales de Dell Inc. Microsoft®, et Windows® sont des marques déposées de Microsoft Corporation aux Etats-Unis et/ou dans d'autres pays.

Tous les autres noms de marques et marques commerciales utilisés dans ce document se rapportent aux sociétés propriétaires de ces marques et de ces noms ou à leurs produits. Dell Inc. décline tout intérêt propriétaire vis-à-vis des marques et des noms de marque autres que les siens.

Modèle réglementaire PC8132, PC8132F, PC8164, PC8164F

Février 2012 N/P JHCTM Rév. A00

Table des matières

1	Introduction	83
	Caractéristiques	83
2	Présentation du matériel	84
	Panneau avant	86
	Quatre ports SFP reliés en amont à des ports fixes	86
	Logement d'extension	87
	Interface UART	87
	Voyants du système	88
3	Installation	90
	Préparation du site	90
	Déballage du commutateur	90
	Contenu du carton	90
	Etapas du déballage	91
	Montage du commutateur en rack	91
	Considérations pour la sécurité du montage du rack	92
	Installation du système ReadyRails de Dell	92
	Installation du commutateur	97

4 Démarrage et configuration du commutateur	98
Connexion du commutateur à un terminal	99
Démarrage du commutateur	100
Réalisation de la configuration initiale	100
Procédure de configuration initiale.	101
Exemple de session.	102
Prochaines étapes	107

Introduction

Ce document contient des informations générales sur les commutateurs série Dell PowerConnect 81xx, ainsi que des informations relatives à l'installation et à la configuration initiale d'un commutateur. Pour obtenir des informations sur la configuration et le contrôle des fonctions du commutateur, reportez-vous au *User's Configuration Guide* (Guide de configuration), disponible sur le site du Support Dell à l'adresse support.dell.com/support et prenez connaissance des dernières mises à jour concernant la documentation et le micrologiciel.

Ce document contient les sections suivantes :

- Présentation du matériel
- Installation
- Démarrage et configuration du commutateur

Caractéristiques

Les PowerConnect 8100 Series sont des commutateurs réseau sans-interruption hautement évolutifs pour une agrégation de site ou des déploiements 10 GbE de commutation de cœur. La famille des commutateurs de couche 3 offre une performance sans ralentissement de 10/40 GbE nécessaire pour alimenter les infrastructures d'entreprise, tout en autorisant une extensibilité et un fonctionnement 10 GbE de haute densité avec une gestion simplifiée.

Le PC 8100 Series offre une haute disponibilité et une forte redondance pour un petit groupe et le déploiement d'agrégation qui aide votre réseau à s'accroître pour un fonctionnement à 10 GbE de haute densité et jusqu'à 40 GbE pour le cœur Enterprise. La famille offre un empilage haute densité avec les ports 10 GbE ou 40 GbE, gérable comme une unité logique simple, comme pour la redondance avec les blocs d'alimentation, les ventilateurs et les images du micrologiciel. La gestion simplifiée comprend également une fonction de déploiement rapide USB afin d'expédier l'adressage réseau au démarrage, ainsi que l'installation de l'image du micrologiciel rationalisée sur l'intégralité de la pile de commutateurs. Les options de gestion flexible comprennent une implémentation CLI conforme aux normes de l'industrie, une gestion à distance à l'aide d'un serveur web intégré et une prise en charge des applications de gestion basées sur le SNMP comprenant le Dell OpenManage Network Manager.

La famille PC8100 comprend une prise en charge du réseau de stockage et une optimisation iSCSI. Pour simplifier la connectivité avec les baies Dell EqualLogic, la fonction iSCSI Auto-Configuration (Configuration automatique iSCSI) de tous les commutateurs 8100 Series détecte les baies et configure le commutateur pour une capacité optimale. Cette fonction est activée par défaut, rationalisant le processus à un simple branchement de câble. La connectivité avec les baies Dell Compellent est également simplifiée grâce à une configuration à commande unique.

Dell a conçu le Power Connect 8100 Series pour réaliser des économies d'énergie du câble d'alimentation aux ports, en commençant par les ports prenant en charge l'EEE pour réduire la consommation d'alimentation de port actif et passif de tous les ports. En plus des blocs d'alimentation redondants qui peuvent fonctionner efficacement dans tous les modes, la vitesse variable des ventilateurs réduit la consommation en ajustant leur vitesse à leur environnement via de multiples moniteurs de température. Enfin, la famille PC8100 comprend la garantie de durée de vie limitée de Dell avec le service de matériel de base (réparation ou remplacement) pour la vie.

Présentation du matériel

Cette section contient des informations sur les caractéristiques du périphérique et sur les configurations matérielles modulaires des commutateurs PowerConnect 81xx.

Les dimensions physiques du PowerConnect 81xx sont les suivantes :

- 440 x 460 x 44 mm (Largeur x Profondeur x Hauteur)
- 17,32 x 18,11 x 4,39 cm (Largeur x Profondeur x Hauteur)

Le PowerConnect 81xx possède un châssis avec quatre types de solutions et une largeur de bande de commutation de 640 Gbit/s et de 320 Gbit/s comme décrite ci-dessous :

- 1 PC8132F - 24 ports SFP+ 10G + module d'extension 40G/80G
- 2 PC8164F - 48 ports SFP+ 10G + 2 ports 40G QSFP + module d'extension 40G/80G
- 3 PC8132 - 24 ports 10GBaseT + module d'extension 40G/80G
- 4 PC8164 - 48 ports 10GBaseT + 2 ports 40G QSFP + module d'extension 40G/80G

Les logements du module peuvent être branchés dans trois types de modules :

- SFP+
- 10G Base-T
- QSFP+

Le système peut également fournir un port de console de type RJ45 pour une interface RS-232 et un port service Ethernet dédié pour les fonctions de gestion hors-bande.

Le PC81xx est équipé des fonctions suivantes :

- Prise en charge d'un port USB
- Quarante-huit ports 10 Gbit/s pour un émetteur-récepteur de 1G/10G
- Deux ports QSFP 40 Gbit/s fixes pour un émetteur-récepteur de 40G
- Un logement d'extension de 80 Gbit/s pour les modules SFP+, 10G Base-T et QSFP+
- Un processeur à mémoire élevée avec une carte haute performance. XLP308H/256 Mo NOR Flash/2 Go DDR III RAM.
- Surveillance de la température (TMP75)
- Moniteur du logiciel de lecteur de la température
- Prise en charge de l'horloge RTC
- Bloc d'alimentation redondant connectable à chaud
- Surveillance de la gestion d'alimentation
- Le ventilateur est amovible et peut être manié
- Châssis 1U standard élevé

Panneau avant

L'image suivante illustre le panneau avant du PowerConnect 81xx :

Figure 1. PowerConnect 81xx Panneau avant



Le panneau avant comprend :

- 24/48 ports fixes 10G Base-T ou SFP+
- Port de gestion
- Port USB 2.0

REMARQUE : L'affichage des voyants System, fan et power status est situé sur le panneau arrière.

Quatre ports SFP reliés en amont à des ports fixes

Les modèles PC8164 et PC8164F possèdent deux ports QSFP fixes, chacun offrant les fonctions suivantes :

- Quatre ports 10G avec un câble à quatre sortie/QBO
- Un port 40G prenant en charge les émetteurs-récepteurs CR4, SR4 et LR4
- Voyants d'état du port du panneau avant

Les connexions QSFP peuvent être utilisées pour l'empilage. L'empilage est pris en charge pour des distances pouvant atteindre 100 m.

REMARQUE : Les modules QSFP ne peuvent être utilisés que pour les commutateurs série PowerConnect 81xx.

Logement d'extension

Le logement d'extension de 80 Gbit/s prend en charge les modules suivants :

- SFP+ (4 ports 10G)
- 10G Base-T (4 ports 10G)
- QSFP+ (peut être configuré avec deux ports 40G ou jusqu'à 8 ports 10G)

Les modules sont vendus séparément.

Interface UART

Le port UART (Universal Asynchronous Receiver Transmitter) a été modelé suite à la norme de l'industrie 16550 sur les périphériques UART. Le port UART offre des capacités de communication en série, permettant une communication avec le modèle ou les périphériques externes utilisant le protocole RS-232. Un port série offre une connexion directe au commutateur et vous permet d'accéder à l'interface CLI depuis un terminal de console connecté au port via le câble série fourni (YOST RJ45 vers des connecteurs DB-9 femelles).

Le port UART est configurable séparément et peut être exécuté comme lien asynchrone de 1 200 bauds à 4 M de bauds.

L'interface UART peut être programmée avec les options suivantes :

- caractères sur 5, 6, 7 ou 8 bits
- 1, 1,5 ou 2 bits d'arrêt
- Option de parité
- Parité régulière/inhabituelle (si l'option de parité est activée)
- Parité permanente (si l'option de parité est activée)

Les valeurs par défaut sont 9 600 bauds, 8 bits de données, pas de parité, 1 bit d'arrêt, pas de contrôle de débit.

Voyants du système

Le système est équipé de diodes émettant de la lumière (DEL) qui donnent des indications sur l'état de System, Temp, Diag, Fan, Stack et Locator de l'unité PowerConnect 81xx. Tableau 1 contient les définitions des voyants d'état :

Tableau 1. Définitions des voyants du système

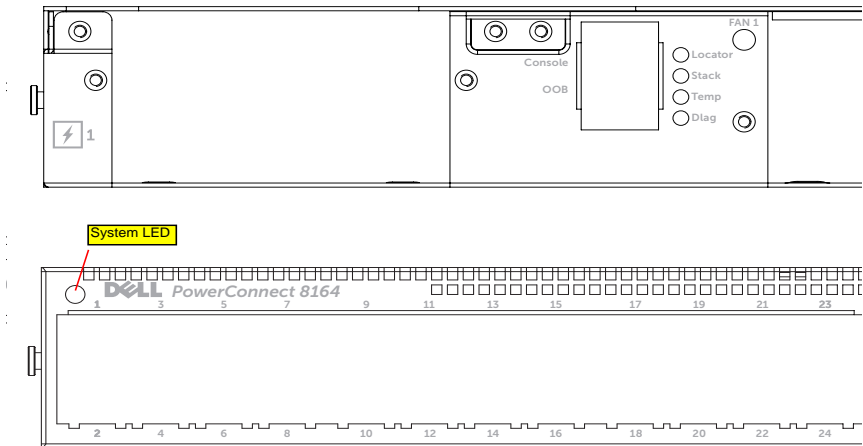
Fonction	Description détaillée	Commentaire
Voyant du système	<ul style="list-style-type: none">• Bleu fixe : fonctionnement normal• Bleu clignotant : amorçage• Rouge fixe : erreur système critique• Rouge clignotant : erreur système non critique (défaillance du ventilateur, défaillance du bloc d'alimentation)	Sur le panneau avant
Voyant Temp	<ul style="list-style-type: none">• Arrêt : température normale• Orange fixe : Température excessive^a	Sur le panneau arrière
Voyant Diag	<ul style="list-style-type: none">• Arrêt : fonctionnement normal• Vert clignotant : test de diagnostic en cours d'exécution	Sur le panneau arrière
Voyant Fan	<ul style="list-style-type: none">• Vert fixe : ventilateur alimenté correctement et avec le nombre de tours par minute attendu• Rouge fixe : ventilateur défectueux	Sur le panneau arrière

Tableau 1. Définitions des voyants du système (Suite)

Fonction	Description détaillée	Commentaire
Voyant Stack	<ul style="list-style-type: none"> • Bleu fixe : passage au mode empilage • Vert fixe : passage au mode esclave d'empilage • Arrêt : passage au mode autonome 	Sur le panneau arrière
Voyant localisateur	<ul style="list-style-type: none"> • Bleu clignotant : la fonction localisateur est activée • Bleu fixe : la fonction localisateur est désactivée 	Sur le panneau arrière

a. Le seuil de la température système des capteurs thermiques est de 75 °C. Lorsque ce seuil est dépassé, le voyant Temp s'allume en orange.

Figure 2. Voyants de port



Installation

Préparation du site

Avant d'installer le ou les commutateurs, assurez-vous que l'endroit choisi pour l'installation répond aux conditions suivantes :

- **Dégagement** : l'avant et l'arrière de l'unité doivent être suffisamment dégagés pour rester accessibles à un opérateur. Prévoyez un dégagement pour le câblage, les connexions électriques et la ventilation.
- **Câblage** : les câbles doivent être acheminés de façon à éviter les sources de bruit électrique, telles que les émetteurs radioélectriques, les amplificateurs de diffusion, les lignes électriques et les luminaires pour lampes fluorescentes.
- **Température ambiante** : la température ambiante à laquelle le commutateur peut fonctionner est comprise entre 10 et 35°C.



REMARQUE : au dessus de 900 mètres, réduisez la température maximale d'un degré Celsius (1°C) par 300 mètres.

- **Humidité relative** : l'humidité relative de fonctionnement est comprise entre 8 % et 85 % (sans condensation) avec une augmentation maximale de 10 % par heure.

Déballage du commutateur

Contenu du carton

Lors du déballage de chaque commutateur, vérifiez que le carton contient les éléments suivants :

- Un commutateur PowerConnect
- Un câble RJ45 vers un connecteur DB-9 femelle
- Deux ensembles de kits de rail (aucun outil nécessaire)
- Deux processeurs (emballés séparément)
- Deux cordons d'alimentation (spécifiques aux pays/régions)
- *Le Guide de mise en route*

- *Les Informations sur la sécurité et les réglementations*
- *Les Informations sur la garantie et le support technique*
- *Le Contrat de licence du logiciel*

Étapes du déballage



REMARQUE : Avant de déballer le commutateur, examinez le carton et signalez immédiatement tout dommage apparent.

- 1 Posez le carton sur une surface plane et propre et coupez toutes les sangles d'attache.
- 2 Ouvrez le carton ou retirez le couvercle.
- 3 Retirez avec précaution le commutateur de son carton et posez-le sur une surface propre et stable.
- 4 Retirez tout le matériel d'emballage.
- 5 Vérifiez que le produit et ses accessoires ne sont pas endommagés.

Montage du commutateur en rack

Vous pouvez soit placer le commutateur dans l'armoire rack soit fixer le commutateur directement dans un rack compatible EIA-310-E de 48 cm (méthodes à quatre postes, deux postes ou fileté). Le système ReadyRails™ de Dell est fourni pour un rack frontal 1U et des installations à deux postes. Le système ReadyRails comprend deux assemblages sur rails emballés séparément et deux rails fournis fixés sur les côtés du commutateur.



AVERTISSEMENT : Il s'agit d'une référence concentrée. Veuillez lire les consignes de sécurité dans votre livret de sécurité, environnemental et d'informations réglementaires avant de commencer.



REMARQUE : Les illustrations contenues dans ce document ne représentent pas un commutateur spécifique.

Considérations pour la sécurité du montage du rack

- Chargement du rack : Le surchargement ou le chargement irrégulier du rack peut entraîner une défaillance de l'armoire ou du rack, pouvant endommager l'équipement et blesser l'utilisateur. Stabilisez les racks de manière permanente avant de commencer le chargement. Montez les composants en commençant par le bas du rack puis remontez vers le haut. Ne dépassez pas le taux de chargement du rack.
- Considérations d'alimentation : Branchez uniquement la source d'alimentation spécifiée à l'unité. Lorsque des composants électriques multiples sont installés dans un rack, assurez-vous que le taux d'alimentation des composants n'excède pas les capacités du circuit. Les sources d'alimentation et les rallonges surchargées peuvent provoquer un incendie ou une électrocution.
- Température ambiante élevée : Dans le cas d'une installation dans un rack fermé, la température de fonctionnement de l'environnement du rack peut être plus élevée que celle de la pièce ambiante. Faites attention à ne pas dépasser une température ambiante du commutateur de 50 degrés.
- Ventilation réduite : Installez l'équipement dans le rack afin que la quantité de ventilation pour un fonctionnement en toute sécurité de l'équipement ne soit pas compromise.
- Mise à la terre fiable : Assurez une mise à la terre fiable de l'équipement monté en rack. Faites particulièrement attention aux branchements d'alimentation autre que les connexions directes au circuit de dérivation, par exemple : utilisation de multiprises.
- Le produit ne doit pas être monté avec le panneau arrière faisant face au sol.

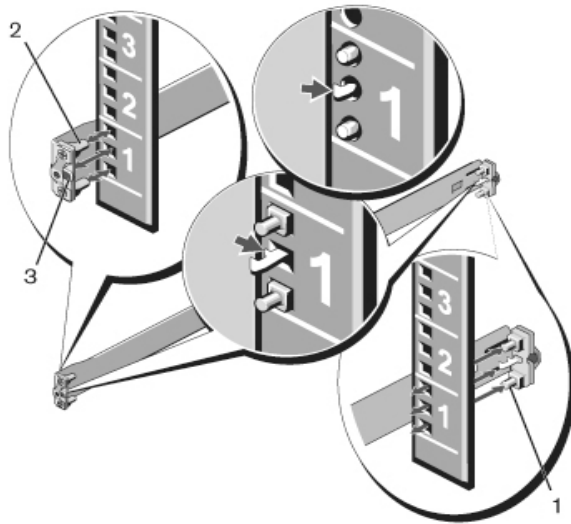
Installation du système ReadyRails de Dell

Le système de montage en rack ReadyRails est fourni pour configurer facilement votre rack pour l'installation de votre commutateur. Le système ReadyRails peut être installé à l'aide d'une méthode sans outil 1U ou selon l'une des trois méthodes utilisant des outils possibles (montage encastré à deux postes, montage centré à deux postes ou filetage à quatre postes).

Configuration 1U sans outil (Trou carré à quatre postes ou trou rond non-fileté)

- 1 Les crochets de la collerette ReadyRails vers l'extérieur, installez un rail entre les postes verticaux gauche et droit. Alignez puis placez les taquets du rail de la collerette arrière dans la collerette du poste vertical arrière. Dans la Figure 3, l'élément 1 et ses extractions illustrent la manière dont les taquets apparaissent dans les trous carrés ou les trous ronds non filetés.

Figure 3. Configuration 1U sans outil

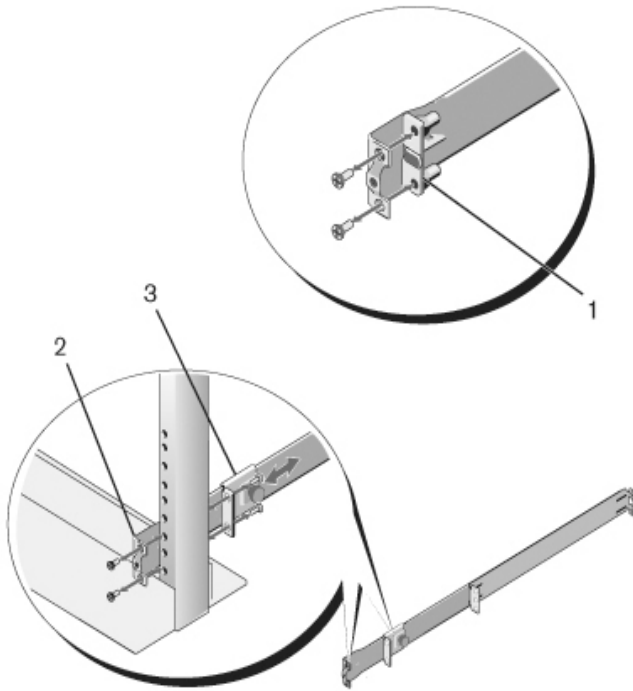


- 2 Alignez et placez les taquets de la collerette avant dans les trous sur l'avant du poste vertical. Reportez-vous à la Figure 3, élément 2.
- 3 Répétez cette procédure pour le second rail.
- 4 Pour retirer chaque rail, poussez le bouton du loquet d'éjection de chaque collerette et désinstallez chaque rail. Reportez-vous à la Figure 3, élément 3.

Configuration du montage intégré à deux postes

- 1 Pour cette configuration, les pièces moulées doivent être retirées de l'avant de chaque assemblage ReadyRails. Reportez-vous à la Figure 4, élément 1 à la page 94. Utilisez un tournevis Torx pour retirer les deux vis de chaque collerette avant (sur le côté du commutateur du rail) puis retirez chaque pièce moulée. Conservez les pièces moulées pour plus tard. Il n'est pas nécessaire de retirer les pièces moulées de la collerette arrière.

Figure 4. Configuration du montage intégré à deux postes



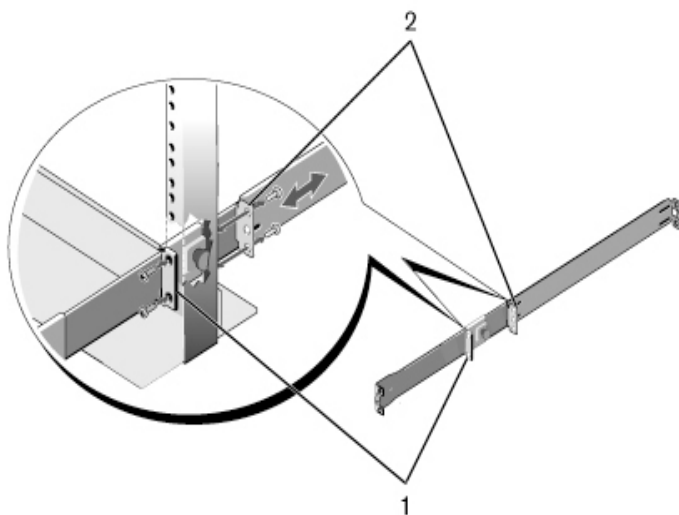
- 2 Fixez un rail sur la collerette du poste avant à l'aide des deux vis fournies par l'utilisateur. Reportez-vous à la Figure 4, élément 2.

- 3 Faites glisser le support piston vers l'avant contre poste vertical et fixez-le à la collerette du poste à l'aide des deux vis fournies par l'utilisateur. Reportez-vous à la Figure 4, élément 3.
- 4 Répétez cette procédure pour le second rail.

Configuration du montage centré à deux postes

- 1 Faites glisser le support piston vers l'arrière jusqu'à ce qu'il s'enclenche fixez-le à la collerette du poste à l'aide des deux vis fournies par l'utilisateur. Reportez-vous à la Figure 5, élément 1.

Figure 5. Configuration du montage centré à deux postes

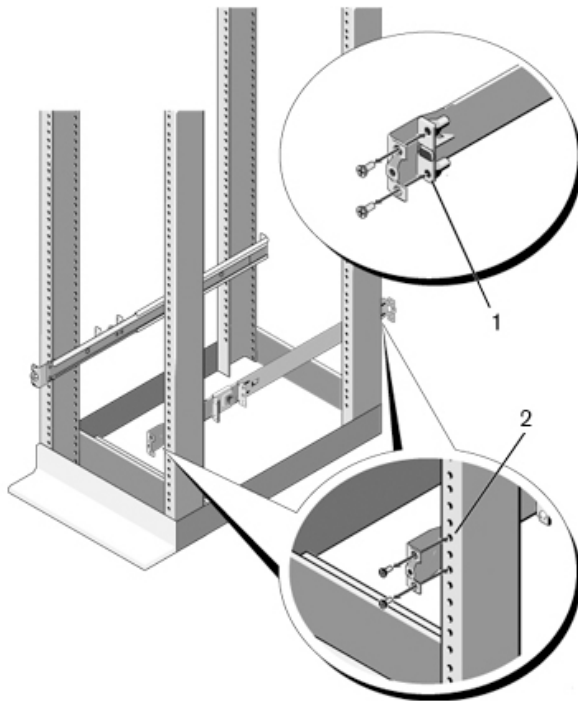


- 2 Faites glisser le support arrière vers l'avant du poste et fixez-le à la collerette du poste à l'aide des deux vis fournies par l'utilisateur. Reportez-vous à la Figure 5, élément 2.
- 3 Répétez cette procédure pour le second rail.

Configuration fileté à quatre postes

- 1 Pour cette configuration, les pièces moulées de la collerette doivent être retirées de chaque extrémité des assemblages ReadyRails. Utilisez un tournevis Torx pour retirer les deux vis de chaque collerette et retirer chaque pièce moulée. Reportez-vous à la Figure 6, élément 1 à la page 96. Conservez les pièces moulées pour plus tard.
- 2 Pour chaque rail, fixez les collerettes avant et arrière aux collerettes du poste à l'aide des deux vis fournies par l'utilisateur à chaque extrémité. Reportez-vous à la Figure 6, élément 2 à la page 96.

Figure 6. Configuration fileté à quatre postes



Installation du commutateur

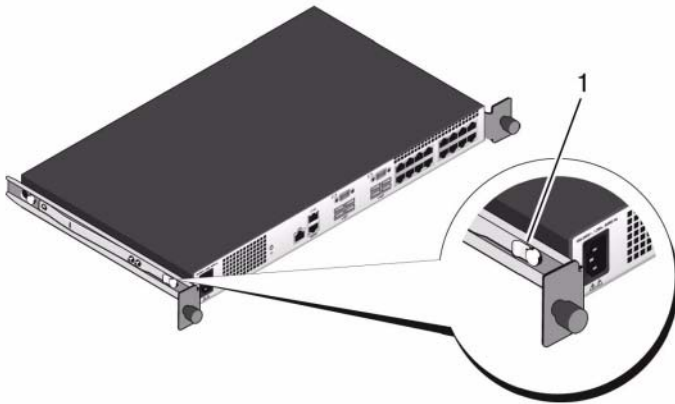
Le commutateur peut être monté dans une configuration rack avant 1U et dans les configurations à deux postes 1U (intégrée et centrée). Ci-dessous est un exemple d'une configuration de rack avant 1U. Pour les configurations à deux postes 1U (intégrée et centrée), vous pouvez faire glisser le commutateur dans les rails de la même manière que pour les configurations à quatre postes.

Installation du rack avant 1U

Les rails fixés au commutateur doivent être configurés.

- 1 Fixez les rails du commutateur (membres du châssis interne) au commutateur PC81xx. Figure 7, l'élément 1 décrit les détails du picot de fixation avant avec la patte de verrouillage.

Figure 7. Fixation des rails du commutateur

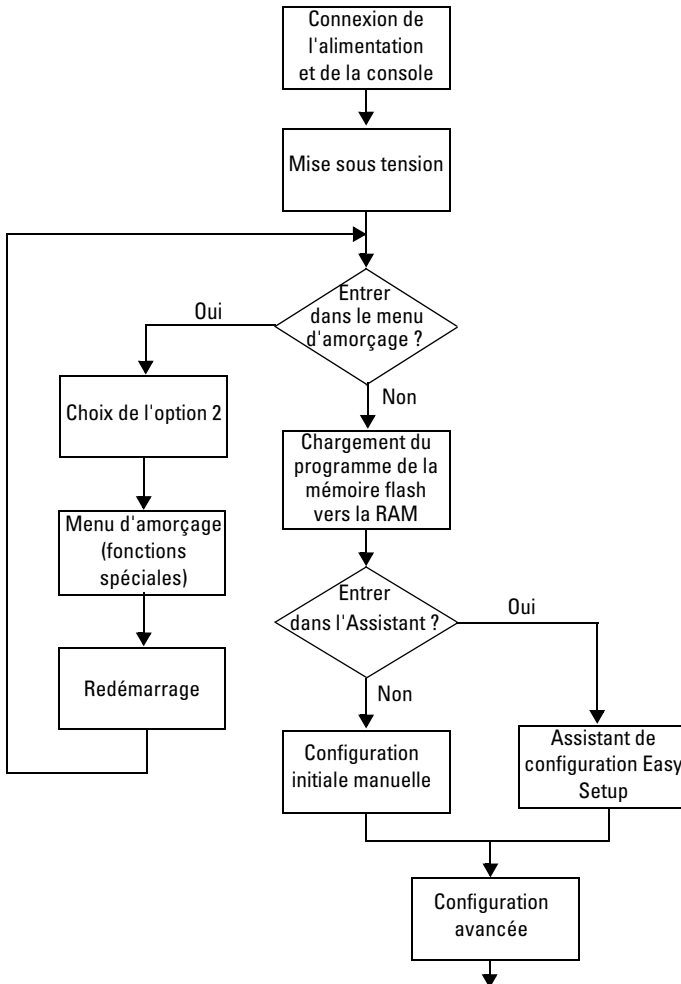


- 2 Une fois les deux rails du commutateur installés, alignez-les avec les Ready-Rails précédemment fixés au rack et faites glisser le commutateur jusqu'à ce qu'il s'intègre à l'avant du rack. Environ 8 centimètres avant l'insertion totale, la fonction de verrouillage du rail s'active afin d'empêcher le commutateur de glisser en dehors du rack et de tomber par inadvertance.

Démarrage et configuration du commutateur

L'organigramme ci-dessous présente un aperçu des étapes que vous devez effectuer lors de la configuration initiale après avoir déballé et monté le commutateur.

Figure 8. Organigramme des procédures d'installation et de configuration



Connexion du commutateur à un terminal

Une fois toutes les connexions externes effectuées, connectez un terminal à un commutateur pour configurer ce dernier.



REMARQUE : Avant de continuer, lisez les notes de publication concernant ce produit. Vous pouvez les télécharger à partir du site d'assistance technique de Dell, support.dell.com/support.



REMARQUE : Nous vous recommandons de vous procurer la version la plus récente de la documentation utilisateur disponible sur le site du Support Dell à l'adresse support.dell.com/support.

Pour pouvoir gérer et configurer le commutateur à partir d'une console série, utilisez le port de console RJ45 situé sur le panneau arrière de l'appareil pour le relier à un terminal VT100 ou à un système exécutant un logiciel d'émulation de terminal VT100. Le port de console est implémenté en tant que connecteur d'équipement de terminal de données (DTE).

Pour utiliser le port de console, vous devez disposer de l'équipement suivant :

- un terminal compatible VT100, ou un ordinateur (de bureau ou portable) équipé d'un port série et exécutant un logiciel d'émulation de terminal VT100, par exemple, Microsoft HyperTerminal ;
- un câble série (fourni) doté d'un connecteur RJ45 pour le port de console et d'un connecteur DB-9 pour le terminal.

Pour connecter un terminal au port de console du commutateur, procédez comme suit :

- 1 Reliez le connecteur DB-9 du câble série au terminal ou à l'ordinateur exécutant le logiciel d'émulation de terminal VT100.
- 2 Configurez le logiciel d'émulation de terminal comme suit :
 - a Sélectionnez le port série approprié (par exemple COM 1) pour vous connecter à la console.
 - b Réglez le débit de données sur 9600 bauds.
 - c Configurez le format de données sur 8 bits de données, 1 bit d'arrêt et aucune parité.
 - d Définissez le contrôle de flux sur aucun.
 - e Réglez le mode d'émulation du terminal sur VT100.

- f Choisissez les touches de terminal pour les touches de fonction, de direction et Ctrl. Vérifiez que le paramétrage correspond aux touches de terminal (et non aux touches Microsoft Windows).



REMARQUE : Si vous utilisez HyperTerminal sous Microsoft Windows 2000, assurez-vous que le Service Pack 2 de Windows 2000 ou une version ultérieure est installé. Ce service pack permet aux touches de direction de fonctionner correctement dans l'émulation VT100 d'HyperTerminal. Pour plus d'informations concernant les services pack Windows 2000, rendez-vous sur le site **microsoft.com**.

- 3 Connectez le connecteur RJ45 du câble directement au port RJ45 de la console PowerConnect 81xx situé sur l'arrière du commutateur.

Démarrage du commutateur

À la mise sous tension, le commutateur effectue un auto-test de démarrage. Ce test s'exécute à chaque initialisation du commutateur ; il passe les composants matériels en revue pour vérifier que le commutateur est totalement opérationnel avant de terminer le démarrage. Si le test détecte un problème critique, le processus s'arrête. Si l'auto-test de démarrage se déroule sans incident, le micrologiciel valide est chargé dans la RAM. Les messages de l'autotest de démarrage sont affichés sur le terminal et indiquent le succès ou l'échec du test. Le processus de démarrage dure environ 60 secondes.

Le terminal local connecté, vous pouvez faire appel au menu Boot (Amorçage), à la fin de la première partie de l'auto-test de démarrage. Depuis ce menu, vous pouvez effectuer des tâches de configuration, telles que rétablir le système sur les paramètres d'usine par défaut, activer l'image de sauvegarde ou récupérer un mot de passe. Pour obtenir plus d'informations sur les fonctions du menu Boot (Amorçage), reportez-vous au *CLI Reference Guide* (Guide de référence CLI).


Réalisation de la configuration initiale

La procédure de configuration initiale repose sur les conditions suivantes :

- Le commutateur PowerConnect n'a jamais été configuré auparavant et n'a pas été modifié depuis que vous l'avez reçu.
- Le commutateur PowerConnect a démarré correctement.

- La connexion à la console est établie et l'invite du **Dell Easy Setup Wizard** (Assistant Dell de configuration facile) apparaît sur l'écran d'un terminal VT100 ou équivalent.

La configuration initiale du commutateur est effectuée via le port de console. Une fois la configuration initiale effectuée, le commutateur peut être géré soit à partir du port de console connecté, soit via une connexion à distance.

 **REMARQUE** : Le commutateur ne possède pas de nom d'utilisateur, de mot de passe, ni d'adresse IP par défaut.


Avant de procéder à la configuration initiale du commutateur, demandez les informations suivantes à votre administrateur réseau :

- L'adresse IP à affecter à l'interface hors-bande (OOB) pour la gestion du dispositif.
- Le masque de sous-réseau IP de l'interface hors-bande.
- L'adresse IP de la passerelle par défaut de l'interface hors-bande.

Ces paramètres sont nécessaires pour permettre la gestion à distance du commutateur via Telnet (client Telnet) ou HTTP (navigateur Web).

Procédure de configuration initiale

Vous pouvez effectuer la configuration initiale à l'aide de l'interface CLI ou du **Dell Easy Setup Wizard** (Assistant Dell de configuration facile). Cet assistant démarre automatiquement si le fichier de configuration du commutateur est vide. Vous pouvez quitter l'assistant à tout moment en appuyant sur [ctrl+z]. Dans ce cas, tous les paramètres de configuration spécifiés sont supprimés et le commutateur utilise les valeurs par défaut.

 **REMARQUE** : Si vous n'exécutez pas l'Assistant Easy Setup ou ne répondez pas à l'invite de l'Assistant Easy Setup dans les 60 secondes, le commutateur entre en mode CLI.

Pour plus d'informations sur la configuration initiale à l'aide de l'interface CLI, reportez-vous au *CLI Reference Guide* (Guide de référence CLI). Ce *Guide de mise en route* présente la manière d'utiliser l'Assistant Easy Setup pour la configuration initiale du commutateur. L'assistant effectue les opérations de configuration suivantes sur le commutateur :

- Il met en place le compte utilisateur privilégié initial et lui attribue un mot de passe valide. Un compte utilisateur privilégié est configuré par l'assistant lors de l'installation.

- Il configure l'ouverture de session de l'interface CLI et l'accès HTTP de sorte qu'ils utilisent l'authentification locale uniquement.
- Il définit l'adresse IP pour l'interface OOB.
- Il définit la chaîne de communauté SNMP de sorte que le gestionnaire SNMP l'utilise sur une adresse IP donnée. Vous pouvez ignorer cette étape si le commutateur n'est pas géré via SNMP.

Exemple de session

Cette section illustre une session de l'Assistant Easy Setup. Les valeurs suivantes sont utilisées dans l'exemple :



REMARQUE : Il n'y a pas de nom d'utilisateur, de mot de passe ou d'adresse IP lorsque le commutateur est déballé ou réglé sur les valeurs par défaut d'usine.

- SNMP n'est pas activé.
- Le nom d'utilisateur par défaut, **root**, est accepté et le mot de passe **admin123** est entré. L'Assistant n'affiche pas le mot de passe lors de sa saisie.
- L'interface de gestion OOB utilise l'adresse IP 192.168.2.1.



REMARQUE : Dans l'exemple ci-après, les options que l'utilisateur peut sélectionner ou les valeurs par défaut sont présentées entre crochets []. Si vous appuyez sur <Entrée> sans avoir défini d'options, la valeur par défaut est acceptée. Le texte de l'aide est entre parenthèses.

L'exemple suivant montre une suite d'invites et de réponses qui s'affichent au cours d'une session du **Dell Easy Setup Wizard** (Assistant Dell de configuration facile) et utilise les valeurs indiquées ci-dessus.

Au démarrage du commutateur (après l'auto-test de démarrage), le texte suivant s'affiche :

```
(Unit 1 - Waiting to select management unit)> (Unité 1
- Attend la sélection de l'unité de gestion)
```

```
Applying Global configuration, please wait ...
(Application de la configuration globale, veuillez
patienter...)
```

```
Welcome to Dell Easy Setup Wizard (Bienvenue dans
l'Assistant Dell de configuration facile)
```


The Setup Wizard guides you through the initial switch configuration, and gets you up and running as quickly as possible. (L'Assistant de configuration vous guide au cours de la configuration initiale du commutateur et vous permet une mise en route aussi rapide que possible.) You can skip the setup wizard, and enter CLI mode to manually configure the switch. (Vous pouvez passer cet assistant et entrer en mode CLI afin de configurer manuellement le commutateur.) You must respond to the next question to run the setup wizard within 60 seconds, otherwise the system will continue with normal operation using the default system configuration. (Vous devez répondre à la question suivante dans les 60 secondes pour exécuter l'Assistant de configuration, sinon le système va utiliser la configuration système par défaut et poursuivre son fonctionnement normal.) Note: You can exit the setup wizard at any point by entering [ctrl+z]. (Remarque : vous pouvez quitter l'assistant de configuration à tout moment en appuyant sur [ctrl+z].)

Would you like to run the setup wizard (you must answer this question within 60 seconds)? (Souhaitez-vous exécuter l'assistant de configuration [vous devez répondre à la question dans les 60 secondes] ?) [Y/N]
y ([O/N])

First:

Do you want to select the operational mode as Simple Mode? (Premièrement : souhaitez-vous sélectionner le mode Simple comme mode de fonctionnement ?) [Y/N] **y**
([O/N] **o**)

Step 1: (Etape 1 :)

The system is not setup for SNMP management by default. (Le système n'est pas configuré pour une gestion SNMP par défaut.) To manage the switch using SNMP (required for Dell Network Manager) you can (Pour gérer le commutateur à l'aide de SNMP (requis pour Dell Network Manager) vous pouvez)

- . Set up the initial SNMP version 2 account now (configurer le compte initial SNMP version 2 maintenant.)
- . Return later and setup other SNMP accounts. (revenir plus tard et configurer d'autres comptes SNMP.) (For more information on setting up an SNMP version 1 or 3 account, see the user documentation). (Pour plus d'informations sur la configuration d'un compte SNMP version 1 ou 3, voir la documentation utilisateur).

Would you like to setup the SNMP management interface now? (Souhaitez-vous configurer l'interface de gestion SNMP maintenant ?) [Y/N] **n** ([O/N] **n**)

Step 2: (Etape 2 :)

Now we need to setup your initial privilege (Level 15) user account. (À présent nous devons configurer votre compte utilisateur privilégié initial [niveau 15].) This account is used to login to the CLI and Web interface. (Ce compte est utilisé pour se connecter à l'interface CLI et à l'interface Web.) You may setup other accounts and change privilege levels later. (Vous pourrez configurer d'autres comptes et modifiez les niveaux de privilèges plus tard.) For more

information on setting up user accounts and changing privilege levels, see the user documentation. (Pour obtenir plus d'informations sur la configuration de comptes utilisateur et la modification des niveaux de privilège, reportez-vous à la documentation utilisateur.)

To setup a user account: (Pour configurer un compte utilisateur :)

Please enter the user name. (Veuillez entrer votre nom d'utilisateur.) [root]:

Please enter the user password: (Veuillez entrer le mot de passe utilisateur :)

Please reenter the user password: (Veuillez confirmer le mot de passe utilisateur :)

Step 3: (Etape 3 :)

Next, IP addresses are setup on the OOB (Out-Of-Band) Interface and/or the VLAN 1 routing interface. (Ensuite, les adresses IP sont configurées sur l'interface OOB [hors-bande] et/ou sur l'interface de routage VLAN 1.)

You can use these IP addresses to access the CLI, Web interface, or SNMP interface of the switch. (Vous pouvez utiliser ces adresses IP pour accéder à l'interface CLI, à l'interface Web ou à l'interface SNMP du commutateur.)

To access the switch through any Management Interface you can (Pour accéder au commutateur via n'importe quelle interface de gestion, vous pouvez)

- . Setup the IP address for the Management Interface. (configurer l'adresse IP de l'interface de gestion.)

- . Setup the default gateway if IP address is manually configured on both routing and OOB interface. (Configurez la passerelle par défaut si l'adresse IP est configurée manuellement à la fois sur l'interface de routage et l'interface OOB.)

Would you like to setup the Out-Of-Band management interface now? (Souhaitez-vous configurer l'interface de gestion hors bande maintenant ?) [Y/N] **y** ([O/N] **o**)

Please enter the IP address of the device (A.B.C.D) or enter "DHCP" (without the quotes) to automatically request an IP address from the network DHCP server. (Veuillez entrer l'adresse IP du périphérique (A.B.C.D) ou entrer «DHCP» (sans les guillemets) pour demander automatiquement une adresse IP depuis le serveur réseau DHCP.) [192.168.2.1]:

Please enter the IP subnet mask (A.B.C.D or /nn). (Veuillez entrer le masque de sous-réseau IP [A.B.C.D ou /nn]) [255.255.255.0]:

This is the configuration information that has been collected: (Voici les informations de configuration collectées :)

Operational Mode = Simple (Mode de fonctionnement= Simple)
User Account setup = root (Compte utilisateur = root)
Password = ***** (Mot de passe = *****)
Out-of-band IP address = 192.168.2.1 255.255.255.0
(Adresse IP hors bande = 192.168.2.1 255.255.255.0)

Final Step: (Etape finale)

If the information is correct, please enter (Y) to save the configuration and copy the settings to the start-up configuration file. (Si les informations sont correctes, veuillez entrer (Y) pour enregistrer la configuration et copier les paramètres dans le fichier de configuration de démarrage.) If the information is

incorrect, enter (N) to discard the configuration and restart the wizard: (Si les informations sont incorrectes, entrez (N) pour annuler la configuration et redémarrer l'assistant :) [Y/N] **y** ([O/N] **o**)

Thank you for using Dell Easy Set up Wizard. (Merci d'avoir utilisé l'Assistant Dell Easy Set up.) You will now enter CLI mode. (Vous allez entrer maintenant en mode CLI.)

Applying Interface configuration, please wait ...
(Application de la configuration d'interface, veuillez patienter...)

console>

Prochaines étapes

Une fois la configuration initiale décrite dans cette section terminée, vous pouvez connecter n'importe quel port situé sur le panneau avant du commutateur à votre réseau de production pour une gestion à distance intra-bande.

Si vous avez spécifié DHCP pour l'adresse IP de l'interface de gestion OOB, l'interface va obtenir son adresse IP à partir d'un serveur DHCP sur le réseau. Pour détecter une adresse IP affectée de manière dynamique, utilisez la connexion du port de console et entrez la commande suivante :

show ip interface out-of-band.

Pour accéder à l'interface **Dell OpenManage Switch Administrator**, entrez l'adresse IP de l'interface de gestion OOB dans le champ d'adresse d'un navigateur Internet. Pour un accès de gestion à distance à l'interface CLI, entrez l'adresse IP de l'interface de gestion OOB dans un client Telnet ou SSH. Sinon, vous pouvez continuer d'utiliser le port de console pour un accès local via l'interface CLI au commutateur.

Votre commutateur PowerConnect 81xx prend en charge les fonctions de commutation de base telles que VLANs, 802.1X, RADIUS et TACACS+. Pour plus d'informations sur les fonctions prises en charge en mode Simple, reportez-vous à la documentation intitulée *Simple Switch Mode: Port Aggregator Feature White Paper* (Mode Simple du commutateur : le livre blanc des fonctions d'agrégation de port).

Si le commutateur est configuré pour fonctionner en mode Normal, il peut aussi prendre en charge des fonctions telles que le protocole STP, ainsi que des fonctions avancées de couche 3 telles que le routage dynamique et la multidiffusion. Utilisez l'interface de gestion web ou CLI pour configurer les fonctions requises par votre réseau. Pour obtenir des informations sur la manière de configurer les fonctions du commutateur, reportez-vous au *User's Configuration Guide* (Guide de configuration) ou au *CLI Reference Guide* (Guide de référence CLI) disponible sur le site d'assistance à l'adresse : support.dell.com/support.

Dell PowerConnect
81xx-Reihe Switch

Handbuch zum Einstieg

Genormtes Modell: PC8132, PC8132F,
PC8164, PC8164F



Anmerkungen



ANMERKUNG: Eine ANMERKUNG macht auf wichtige Informationen aufmerksam, mit denen Sie das System besser einsetzen können.



VORSICHTSHINWEIS: Ein VORSICHTSHINWEIS macht darauf aufmerksam, dass bei Nichtbefolgung von Anweisungen eine Beschädigung der Hardware oder der Verlust von Daten droht.

Irrtümer und technische Änderungen vorbehalten.

© 2012 Dell Inc. Alle Rechte vorbehalten.

Die Vervielfältigung oder Wiedergabe dieser Materialien in jeglicher Weise ohne vorherige schriftliche Genehmigung von Dell Inc. ist streng untersagt.

Marken in diesem Text: Dell™, das DELL Logo, PowerConnect™, OpenManage™, ReadyRails™ und Torx™ sind Marken von Dell Inc. Microsoft® und Windows® sind eingetragene Marken von Microsoft Corporation in den USA und/oder anderen Ländern.

Andere in diesem Dokument möglicherweise verwendete Marken und Handelsbezeichnungen beziehen sich auf die entsprechenden Eigentümer oder deren Produkte. Dell Inc. erhebt keinen Anspruch auf Marken und Handelsbezeichnungen mit Ausnahme der eigenen.

Genormtes Modell PC8132, PC8132F, PC8164, PC8164F

Februar 2012 Teilenr. JHCTM Rev. A00

Inhalt

1	Einführung	113
	Funktionsmerkmale	113
2	Hardwareübersicht	114
	Vorderseite	116
	Feste 4-Port-SFP-Uplink-Ports	116
	Erweiterungssteckplatz	117
	UART-Schnittstelle	117
	System-LEDs	118
3	Installation	120
	Standortvorbereitung	120
	Auspacken des Switches	121
	Inhalt der Verpackung	121
	Auspacken	121
	Rack-Montage des Switches	122
	Sicherheitserwägungen bei der Rack-Montage	122
	Installieren des Dell ReadyRails-Systems	123
	Installieren des Switches.	128

4	Starten und Konfigurieren des Switches	129
	Verbinden eines Switches mit einem Terminal	130
	Starten des Switches	131
	Durchführen der Erstkonfiguration	132
	Durchführen der Erstkonfiguration	132
	Beispiel-Ablauf	133
	Nächste Schritte	137

Einführung

Dieses Dokument enthält grundlegende Informationen über die Dell PowerConnect 81xx-Reihe von Switches (PC8132, PC8132F, PC8164, PC8164F), einschließlich der Switch-Installation und der Erstkonfiguration. Informationen über das Konfigurieren und Überwachen von Switch-Funktionen finden Sie im *User's Configuration Guide* (Konfigurationsanleitung) auf der Dell Support-Website support.dell.com/manuals. Hier erhalten Sie auch die neuesten Updates für Dokumentation und Firmware.

Das vorliegende Dokument umfasst die folgenden Abschnitte:

- Hardwareübersicht
- Installation
- Starten und Konfigurieren des Switches

Funktionsmerkmale

Die Switches der Reihe PowerConnect 8100 sind hoch skalierbare Switches für den Dauerbetrieb von Netzwerken in Campusaggregationsumgebungen und 10-GbE-Core-Switching-Implementierungen. Die Reihe der Layer-3-Switches liefert die 10/40-GbE-Wire-Speed-Leistung, die für die Versorgung von anspruchsvollen Infrastrukturen in Unternehmen und Betrieben benötigt wird, und ermöglicht gleichzeitig Skalierbarkeit und hochdichten 10-GbE-Betrieb mit vereinfachter Verwaltung.

Die Reihe PC8100 bietet hohe Verfügbarkeit und Redundanz für Core- und Aggregationsimplementierungen, der das Wachstum des Netzwerks auf hochdichten 10-GbE-Betrieb und 40 GbE für den Unternehmenskern unterstützt. Die Reihe ermöglicht eine hohe Stapeldichte mit 10-GbE- oder 40-GbE-Ports, die als eine einzige logische Einheit verwaltet werden können, sowie Redundanz bei Netzteilen, Lüftern und Firmware-Images. Die vereinfachte Verwaltung umfasst auch eine USB-Funktion für schnelle Bereitstellung (USB Rapid Deployment), mit der die Netzwerkadressierung beim Start beschleunigt wird und Installationen von Firmware-Images im gesamten Stack rationalisiert werden. Zu den flexiblen Verwaltungsoptionen gehört eine CLI nach Branchenstandard, die Fernverwaltung unter Einsatz des integrierten Webservers und die Unterstützung für SNMP-basierte Verwaltungsanwendungen, darunter Dell OpenManage Network Manager.

Die Reihe PC8100 umfasst Unterstützung für Speichernetzwerke und iSCSI-Optimierung. Zur Vereinfachung der Konnektivität mit Dell EqualLogic-Arrays erkennt die Funktion der automatischen iSCSI-Konfiguration in allen Switches der Reihe 8100 automatisch die Arrays und konfiguriert den Switch für optimalen Durchsatz. Diese Funktion ist standardmäßig aktiviert und reduziert den Vorgang auf das schlichte Anschließen eines Kabels. Die Konnektivität mit Dell Compellent-Arrays wird ebenfalls vereinfacht und lässt sich mit einem einzigen Befehl konfigurieren.

Dell hat die Reihe PowerConnect 8100 vom Netzkabel bis zu den Ports für Energieeinsparungen entworfen. Dies beginnt schon bei from EEE-fähigen Ports, durch die der aktive und passive Energieverbrauch für alle Ports gesenkt wird. Neben redundanten Netzteilen, die in allen Betriebsarten effizient betrieben werden können, wird der Verbrauch durch Lüfter mit variabler Drehzahl gesenkt, indem ihre Drehzahl über mehrere Temperaturwächter auf ihre Umgebung abgestimmt wird. Schließlich umfasst die Reihe PC8100 auch noch die eingeschränkte lebenslange Dell-Garantie mit Hardware-Basisservice (Reparatur oder Austausch) während der Lebensdauer.

Hardwareübersicht

Dieser Abschnitt enthält Informationen über Gerätemerkmale und modulare Hardwarekonfigurationen der PowerConnect 81xx Switches.

Die Abmessungen des PowerConnect 81xx sind wie folgt:

- 440 x 460 x 44 mm (B x T x H)
- 17,32 x 18,11 x 1,73 Zoll (B x T x H)

PowerConnect 81xx besitzt ein Gehäusedesign mit vier Lösungsarten und einer Schaltbreite von 640 Gbit/s und 320 Gbit/s, wie nachstehend aufgeführt:

- 1 PC8132F - 24-Port SFP+ 10G + 40G/80G-Erweiterungsmodul
- 2 PC8164F - 48-Port SFP+ 10G + 2-Port 40G QSFP + 40G/80G-Erweiterungsmodul
- 3 PC8132 - 24-Port 10GBaseT + 40G/80G-Erweiterungsmodul
- 4 PC8164 - 48-Port 10GBaseT + 2-Port 40G QSFP + 40G/80G-Erweiterungsmodul

Die Modulsteckplätze können drei Arten von Modulen aufnehmen:

- SFP+
- 10G Base-T
- QSFP+

Das System bietet außerdem einen Konsolen-Port (Schnittstelle RS-232, Typ RJ45) und einen dedizierten Ethernet-Service-Port für OOB-Verwaltungsfunktionen.

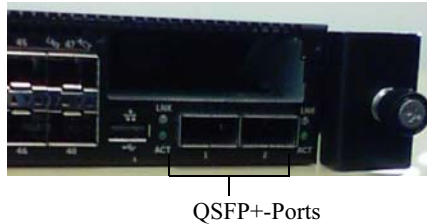
Der PC81xx weist die folgenden Funktionsmerkmale auf:

- Unterstützung für einen USB-Port
- 48 Ports mit 10 Gbit/s für 1G/10G-Transceiver
- Zwei feste QSFP-Ports mit 40 Gbit/s für 40G-Transceiver
- Ein Erweiterungssteckplatz mit 80 Gbit/s für SFP+-, 10G Base-T- and QSFP+-Module
- Integriertes Hochleistungsprozessorsystem mit großem Speicher. XLP308H/256 MB NOR-Flash/2GB DDR-III-RAM.
- Temperaturüberwachung (TMP75)
- Mit Software lesbarer Temperaturwächter
- Unterstützung für Echtzeituhr
- Redundantes Hot-Plugging-Netzteil
- Stromstärkeüberwachung für Energieverwaltung
- Der Lüfter ist auswechselbar und kann verwaltet werden
- Standardgehäuse der Höhe 1 HE

Vorderseite


Das folgende Bild zeigt die Vorderseite des PowerConnect 81xx:

Abbildung 1. PowerConnect 81xx – Vorderseite



Die Vorderseite umfasst:

- 24/48 feste 10G Base-T- oder SFP+-Ports
- Verwaltungsport
- USB-2.0-Port


 **ANMERKUNG:** LED-Display für System-, Lüfter- und Stromstatusanzeigen befindet sich auf der Rückseite.

Feste 4-Port-SFP-Uplink-Ports

Die Modelle PC8164 und PC8164F enthalten zwei feste QSFP-Ports, die jeweils über die folgenden Funktionsmerkmale verfügen:

- Vier 10G-Ports mit vierfach verzweigtem Kabel
- Ein 40G-Port mit Unterstützung für CR4-, SR4- und LR4-Transceiver
- Portstatus-LEDs auf der Vorderseite

Die QSFP-Verbindungen können für das Stacking verwendet werden. Stacking wird bis zu Distanzen von 100 m unterstützt.

 **ANMERKUNG:** Die QSFP-Module können nur für die Switches der Reihe PowerConnect 81xx verwendet werden.

Erweiterungssteckplatz

Der 80-Gbit/s-Erweiterungssteckplatz unterstützt die folgenden Module:

- SFP+ (vier 10G-Ports)
- 10G Base-T (vier 10G-Ports)
- QSFP+ (lässt sich als zwei 40G-Ports oder bis zu acht 10G-Ports konfigurieren)

Die Module sind separat erhältlich.

UART-Schnittstelle

Der UART-Port (Universal Asynchronous Receiver Transmitter) ist nach dem Branchenstandard 16550 für UART-Geräte gestaltet. Er bietet die Möglichkeit der seriellen Kommunikation, die eine Kommunikation mit dem Modell oder anderen externen Geräten unter Verwendung des RS-232-Protokolls ermöglicht. Ein serieller Port stellt eine direkte Verbindung zum Switch her und ermöglicht den CLI-Zugang von einem Konsolenterminal aus, das über das mitgelieferte serielle Kabel (mit RJ45 Yost auf DB-9-Buchsen) angeschlossen wird.

Der UART-Port kann gesondert konfiguriert werden und als asynchrone Verbindung von 1200 Baud bis 4 Mill. Baud ausgeführt werden.

Die UART-Schnittstelle kann mit den folgenden Optionen programmiert werden:

- 5, 6, 7 oder 8 Datenbits
- 1, 1,5 oder 2 Stoppbits
- Paritätsoption
- Gerade/ungerade Parität (bei aktivierter Paritätsoption)
- Sticky Parity (bei aktivierter Paritätsoption)

Die Standardeinstellung lautet: Baudrate 9600, 8 Datenbits, keine Parität, 1 Stoppbit, keine Flusskontrolle.

System-LEDs

Das System enthält LEDs, die den System-, Temperatur-, Diagnose-, Lüfter-, Stack- und Standortstatus der PowerConnect 81xx-Einheit anzeigen.

Tabelle 1 enthält die Erklärungen zu den Status-LEDs:

Tabelle 1. LED-Definitionen für das System

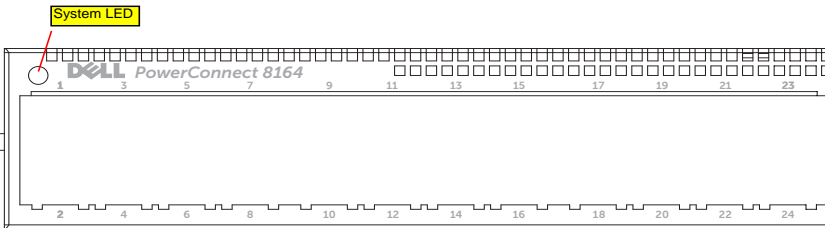
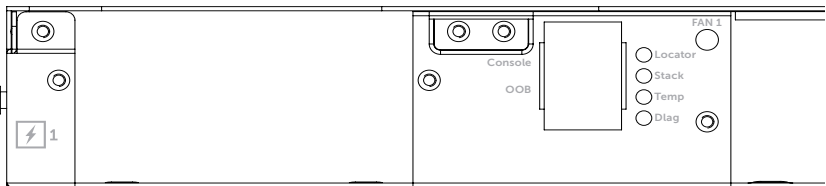
Funktionsmerkmal	Genauere Beschreibung	Anmerkung
System-LED	<ul style="list-style-type: none">• Stetig blau - Normalbetrieb• Blau blinkend - Start erfolgt• Stetig rot - Kritischer Systemfehler• Rot blinkend - Nichtkritischer Systemfehler (Lüfterausfall, Netzteilerausfall)	Auf der Vorderseite
Temp-LED (Temperatur)	<ul style="list-style-type: none">• Aus - Normaltemperatur• Stetig gelb - Überhitzung^a	Auf der Rückseite
Diag-LED (Diagnose)	<ul style="list-style-type: none">• Aus - Normalbetrieb• Grün blinkend - Diagnosetest wird ausgeführt	Auf der Rückseite
Fan-LED (Lüfter)	<ul style="list-style-type: none">• Stetig grün - Lüfter angeschaltet und auf erwarteter Drehzahl• Stetig rot - Lüfter ausgefallen	Auf der Rückseite

Tabelle 1. LED-Definitionen für das System (fortgesetzt)

Funktionsmerkmal	Genauere Beschreibung	Anmerkung
Stack-LED	<ul style="list-style-type: none"> • Stetig blau - Switch im Stacking-Modus • Stetig grün - Switch im Stacking-Slave-Modus • Aus - Switch im eigenständigen Modus 	Auf der Rückseite
Standort-LED	<ul style="list-style-type: none"> • Blau blinkend - Standortfunktion ist aktiviert • Stetig blau - Standortfunktion ist deaktiviert 	Auf der Rückseite

a. Der Temperaturschwellenwert für das System der Temperatursensoren liegt bei 75 °C. Wenn der Schwellenwert überschritten wird, leuchtet die Temperatur-LED gelb.

Abbildung 2. Port-LEDs



Installation

Standortvorbereitung

Bevor Sie den Switch oder die Switches installieren, stellen Sie sicher, dass am Ort der Installation die folgenden Voraussetzungen erfüllt sind:

- **Zugang** – Der Bediener sollte an der Vorder- und Rückseite des Geräts ausreichend Bewegungsfreiheit haben. Auch Verkabelung, Stromanschlüsse und Belüftungsöffnungen sollten problemlos zugänglich sein.
- **Verkabelung** – Die Kabel sollten so verlegt sein, dass elektrisches Rauschen durch Funksender, Funkverstärker, Stromleitungen sowie fluoreszierende Beleuchtungskörper vermieden wird.
- **Umgebungstemperatur** – Die Umgebungstemperatur beim Switchbetrieb liegt zwischen 10° und 35 °C.



ANMERKUNG: Oberhalb von 900 m muss von der maximalen Temperatur 1 °C pro 300 m abgezogen werden.

- **Relative Luftfeuchtigkeit** – Die relative Luftfeuchtigkeit beim Betrieb liegt zwischen 8% und 85% (nicht-kondensierend) bei einer maximalen Feuchtigkeitsänderung von 10% pro Stunde.

Auspacken des Switches

Inhalt der Verpackung

Kontrollieren Sie beim Auspacken der einzelnen Switches, ob jeweils die folgenden Teile vorhanden sind:

- Ein PowerConnect-Switch
- Ein Kabel für RJ-45 auf DB-9-Buchse
- Zwei Sätze Schienenkits (keine Werkzeuge erforderlich)
- Zwei Netzteileneinheiten (gesondert verpackt)
- Zwei Netzkabel (landesspezifisch)
- *Handbuch zum Einstieg*
- *Sicherheitshinweise und Betriebsbestimmungen*
- *Informationen zur Garantie und zum Kundendienst*
- *Software-Lizenzvertrag*

Auspacken



ANMERKUNG: Überprüfen Sie vor dem Auspacken des Switches den Transportbehälter und melden Sie etwaige Beschädigungen unverzüglich.

- 1** Stellen Sie das Paket auf eine saubere, ebene Fläche, und zerschneiden Sie alle Befestigungsbänder.
- 2** Öffnen Sie die Verpackung, oder entfernen Sie die obere Abdeckung.
- 3** Nehmen Sie den Switch vorsichtig aus der Verpackung, und stellen Sie ihn auf eine stabile, saubere Fläche.
- 4** Entfernen Sie das gesamte Verpackungsmaterial.
- 5** Untersuchen Sie das Produkt und das Zubehör auf Beschädigungen.

Rack-Montage des Switches

Sie können den Switch entweder auf dem Rack-Regal platzieren oder den Switch direkt in ein 19 Zoll breites, EIA-310-E-konformes Rack (Methoden mit vier Stützen, zwei Stützen oder Gewindelöchern) montieren. Das Dell ReadyRails™ System ist für ein 1-HE-Front-Rack und Installationen mit zwei Stützen vorgesehen. Das ReadyRails-System enthält zwei separat verpackte Schienenbaugruppen und zwei Schienen, die im Lieferzustand an den Seiten des Switches befestigt sind.



WARNUNG: Dies ist ein gekürzter Hinweis. Lesen Sie, bevor Sie beginnen, die Sicherheitshinweise in der Broschüre **Safety, Environmental, and Regulatory Information (Sicherheitshinweise, Umwelt- und Betriebsbestimmungen)**.



ANMERKUNG: Die Abbildungen in diesem Dokument sollen keinen bestimmten Switch darstellen.

Sicherheitserwägungen bei der Rack-Montage

- Rack-Beladung - Ein Überladen oder ungleichmäßiges Beladen von Racks kann einen Defekt an einem Regal oder Rack verursachen, was zu einer Beschädigung der Geräte und zu möglichen Verletzungen führen kann. Stabilisieren Sie die vor der Beladung an einem dauerhaften Standort. Beginnen Sie beim Montieren der Komponenten am Boden des Racks und arbeiten Sie sich dann nach oben. Überschreiten Sie nicht die Tragfähigkeit des Racks.
- Stromerwägungen - Verwenden Sie zum Anschluss nur die Stromquelle, die auf der Einheit angegeben ist. Wenn in einem Rack mehrere elektrische Komponenten installiert werden, stellen Sie sicher, dass die Gesamtnennleistung der Komponenten die Möglichkeiten des Stromnetzes nicht übersteigt. Überlastete Stromquellen und Erweiterungskabel stellen eine Brand- und Stromschlaggefahr dar.
- Erhöhte Umgebungstemperatur - Bei Installation in einer geschlossenen Rack-Aufstellung kann die Betriebstemperatur der Rack-Umgebung höher sein als die Raumtemperatur. Achten Sie darauf, die maximale Umgebungstemperatur des Switches von 50 Grad Celsius nicht zu überschreiten.
- Reduzierter Luftstrom - Installieren Sie die Geräte so in dem Rack, dass der für einen sicheren Betrieb der Geräte erforderliche Umfang des Luftstroms nicht gefährdet wird.

- Zuverlässige Erdung - Behalten Sie eine zuverlässige Erdung der in Racks montierten Geräte aufrecht. Achten Sie insbesondere darauf, andere Verbindungen als direkte Verbindungen zur Verzweigungsleitung bereitzustellen, z. B. unter Verwendung von Mehrfachsteckdosen.
- Das Produkt sollte nicht mit der Rückseite nach unten gewandt montiert werden.

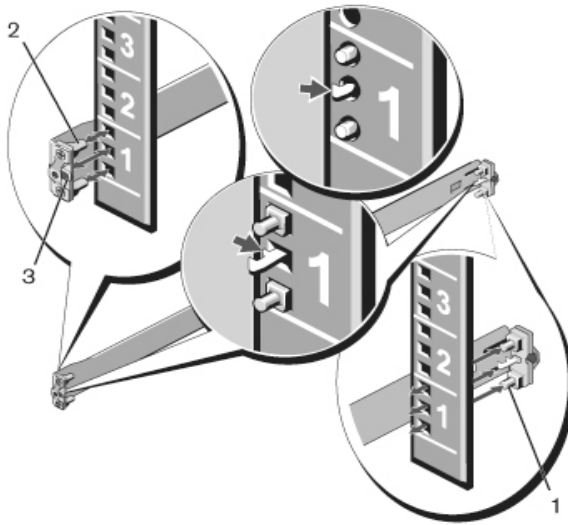
Installieren des Dell ReadyRails-Systems

Das ReadyRails-Rack-Montagesystem dient dazu, das Rack auf einfache Weise für die Installation des Switches zu konfigurieren. Das ReadyRails-System kann mit der werkzeuglosen 1-HE-Methode oder einer der drei möglichen 1-HE-Methoden mit Werkzeugen (bündige Montage mit zwei Stützen, mittige Montage mit zwei Stützen oder vier Stützen mit Gewindelöchern) installiert werden.

Werkzeuglose 1-HE-Konfiguration (Vierkantloch- oder Rundloch-Racks mit vier Stützen)

- 1 Positionieren Sie bei nach außen zeigenden ReadyRails-Flanschrohren eine Schiene zwischen den linken und rechten vertikalen Stützen. Richten Sie die Zapfen der hinteren Flanschschiene aus und befestigen Sie sie am Flansch der hinteren vertikalen Stütze. In Abbildung 3 zeigen Element 1 und dessen Auszüge, wie die Zapfen sowohl in die Vierkantlöchern und die Rundlöchern ohne Gewinde eingepasst werden müssen.

Abbildung 3. Werkzeuglose 1-HE-Konfiguration

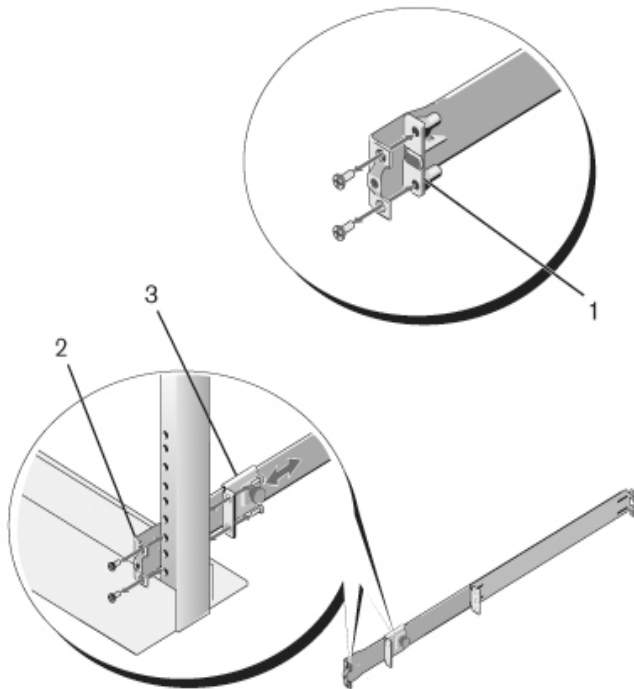


- 2 Richten Sie die Zapfen des vorderen Flansches aus und befestigen Sie sie an der Vorderseite der vertikalen Stütze (siehe Abbildung 3, Element 2).
- 3 Wiederholen Sie diese Schritte für die zweite Schiene.
- 4 Um die Schienen zu entfernen, ziehen Sie am Entriegelungsmechanismus jedes Flanschrohrs und lösen Sie die einzelnen Schienen (siehe Abbildung 3, Element 3).

Bündige Konfiguration mit zwei Stützen

- 1 Für diese Konfiguration müssen die Beschläge von der Vorderseite jeder ReadyRails-Baugruppe entfernt werden (siehe Abbildung 4, Element 1 auf Seite 125). Lösen Sie die beiden Schrauben mit einem Torx-Schraubendreher von den vorderen Flanschbohren (an der Geräteseite der Schiene) und entfernen Sie die Beschläge. Bewahren Sie die Beschläge für die eventuelle zukünftige Verwendung am Rack auf. Die hinteren Beschläge müssen nicht entfernt werden.

Abbildung 4. Bündige Konfiguration mit zwei Stützen



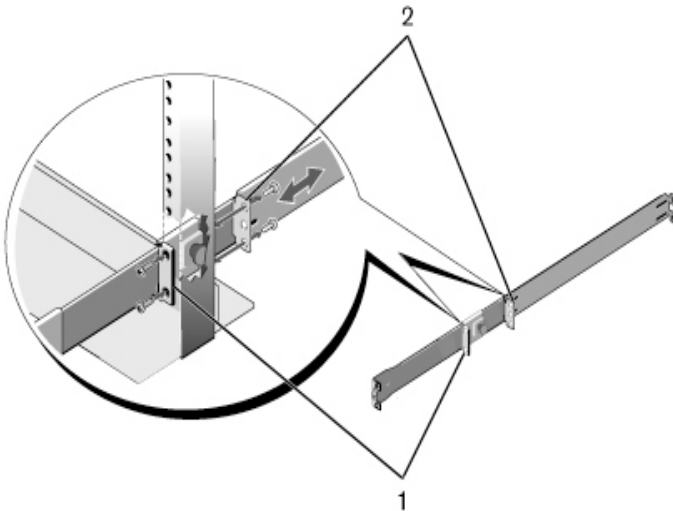
- 2 Befestigen Sie eine Schiene mit zwei Schrauben (nicht im Lieferumfang enthalten) am Flansch der vorderen Stütze (siehe Abbildung 4, Element 2).

- 3 Schieben Sie den Haltebügel nach vorne in Richtung der vertikalen Stütze und befestigen Sie ihn mit zwei Schrauben (nicht im Lieferumfang enthalten) am Stützenflansch (siehe Abbildung 4, Element 3).
- 4 Wiederholen Sie diese Schritte für die zweite Schiene.

Mittige Konfiguration mit zwei Stützen

- 1 Schieben Sie den Haltebügel nach hinten, bis er einrastet, und befestigen Sie ihn mit zwei Schrauben (nicht im Lieferumfang enthalten) am Flansch der vorderen Stütze (siehe Abbildung 5, Element 1).

Abbildung 5. Mittige Konfiguration mit zwei Stützen

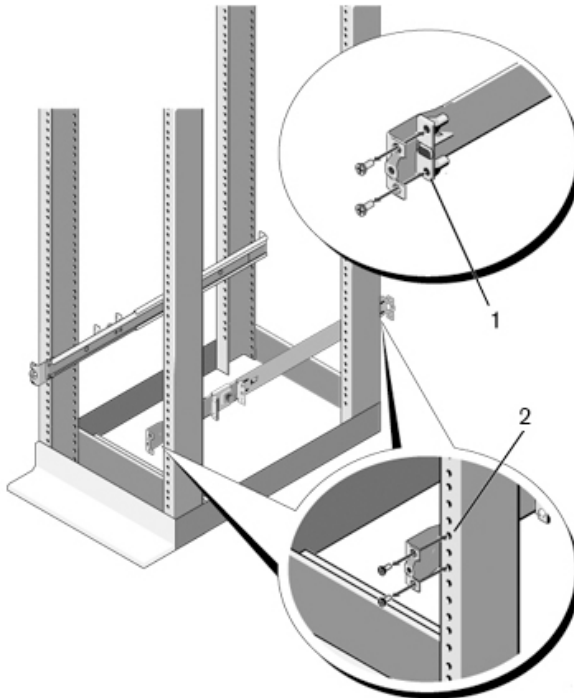


- 2 Schieben Sie den hinteren Bügel in Richtung der Stütze und befestigen Sie ihn mit zwei Schrauben (nicht im Lieferumfang enthalten) am Stützenflansch (siehe Abbildung 5, Element 2).
- 3 Wiederholen Sie diese Schritte für die zweite Schiene.

Gewindeloch-Konfiguration mit vier Stützen

- 1 Bei dieser Konfiguration müssen die Beschläge der Flanschrohren von allen Seiten der ReadyRails-Baugruppen entfernt werden. Lösen Sie die beiden Schrauben mit einem Torx-Schraubendreher von den beiden Flanschrohren und entfernen Sie die Beschläge (siehe Abbildung 6, Element 1 auf Seite 127). Bewahren Sie die Beschläge für die eventuelle zukünftige Verwendung am Rack auf.
- 2 Befestigen Sie bei jeder Schiene den vorderen und den hinteren Flansch mit zwei Schrauben (nicht im Lieferumfang enthalten) an den Stützenflanschen (siehe Abbildung 6, Element 2 auf Seite 127).

Abbildung 6. Gewindeloch-Konfiguration mit vier Stützen



Installieren des Switches

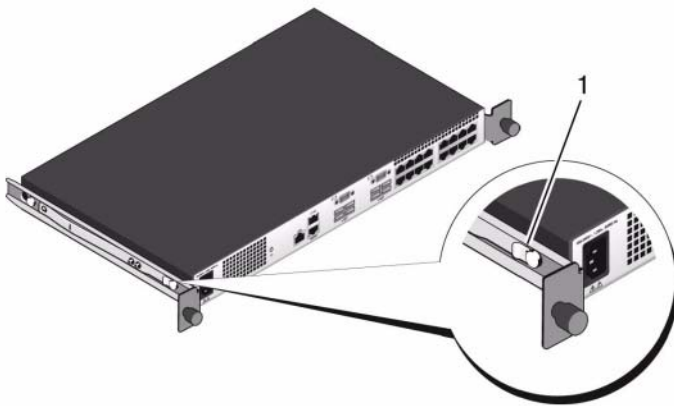
Der Switch kann in den Konfigurationen 1-HE-Front-Rack und 1-HE mit zwei Stützen (bündig und mittig) montiert werden. Es folgt ein Beispiel für eine 1-HE-Front-Rack-Konfiguration. Bei den 1-HE-Konfigurationen mit zwei Stützen (bündig und mittig) können Sie den Switch in gleicher Weise in die Schienen schieben wie bei den Konfigurationen mit vier Stützen.

1-HE-Front-Rack-Installation

Die am Switch angebrachten Schienen müssen konfiguriert werden.

- 1 Befestigen Sie die Switch-Schienen (innere Gehäusemodule) am PC81xx-Switch. Abbildung 7, Element 1 zeigt die Details für den vorderen Abstandshalter mit Verriegelung.

Abbildung 7. Befestigen der Switch-Schienen

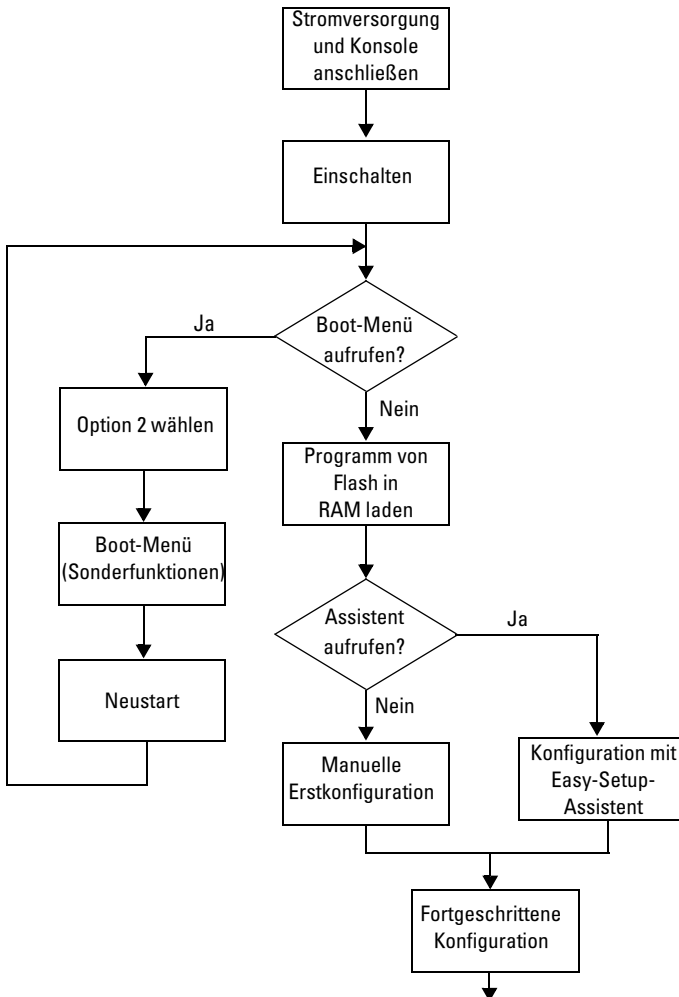


- 2 Richten Sie die beiden Switch-Schienen nach ihrer Installation an Ready-Rails aus, die bereits am Rack montiert sind und schieben Sie den Switch hinein, bis er bündig mit der Vorderseite des Racks abschließt. Etwa 7,5 cm vor dem kompletten Einsetzen rastet die Schienenverriegelung ein, mit der verhindert wird, dass der Switch versehentlich aus dem Rack gleitet und herunterfällt.

Starten und Konfigurieren des Switches

Das folgende Flussdiagramm ist ein Überblick für das Durchführen der Erstkonfiguration, nachdem der Switch ausgepackt und eingebaut wurde.

Abbildung 8. Flussdiagramm zu Installation und Konfiguration



Verbinden eines Switches mit einem Terminal

Nachdem Sie alle externen Verbindungen vorgenommen haben, schließen Sie das Gerät an ein Terminal an, um den Switch zu konfigurieren.



ANMERKUNG: Lesen Sie die Versionshinweise für dieses Produkt, bevor Sie fortfahren. Sie können die Versionshinweise von der Dell Support-Website unter support.dell.com/support herunterladen.



ANMERKUNG: Es wird empfohlen, die aktuelle Version der Benutzerdokumentation von der Dell Support-Website support.dell.com/support herunterzuladen.

Um den Switch über die serielle Konsole zu überwachen und zu konfigurieren, verbinden Sie den RJ45-Konsolenanschluss auf der Rückseite des Geräts mit einem VT100-Terminal oder einem Computer, auf dem eine VT100-Terminal-Emulationssoftware ausgeführt wird. Der Konsolen-Port ist als DTE-Anschluss (Data Terminal Equipment) implementiert.

Zur Verwendung des Konsolen-Ports wird Folgendes benötigt:

- VT100-kompatibles Terminal oder ein Desktop- bzw. Laptop-Computer mit seriellem Anschluss und VT100-Terminal-Emulationssoftware, etwa Microsoft HyperTerminal
- Serielles Kabel (mitgeliefert) mit RJ45-Stecker für den Konsolen-Port und DB-9-Stecker für das Terminal.

Gehen Sie wie folgt vor, um ein Terminal mit dem Switch-Konsolen-Port zu verbinden:

- 1 Verbinden Sie den DB-9-Stecker am seriellen Kabel mit dem Terminal oder dem Computer mit VT100-Terminal-Emulationssoftware.
- 2 Konfigurieren Sie die Terminal-Emulationssoftware wie folgt:
 - a Wählen Sie die geeignete serielle Schnittstelle (zum Beispiel COM 1) zur Verbindung mit der Konsole.
 - b Setzen Sie die Datenrate auf 9600 Baud.
 - c Setzen Sie das Datenformat auf 8 Datenbit, 1 Stoppbit, keine Parität.
 - d Deaktivieren Sie die Flusskontrolle.
 - e Setzen Sie den Terminal-Emulationsmodus auf VT100.

- f Wählen Sie für die Belegung der Funktions-, Pfeil und Strg-Tasten die Option „Terminal“. Stellen Sie sicher, dass die Einstellung „Terminal“ lautet (keine Microsoft Windows-Tasten).



ANMERKUNG: Wenn Sie HyperTerminal mit Microsoft Windows 2000 verwenden, stellen Sie sicher, dass Windows 2000 Service Pack 2 oder höher installiert ist. Bei Windows 2000 Service Pack 2 funktionieren die Pfeiltasten in der VT100-Emulierung von HyperTerminal ordnungsgemäß. Weitere Informationen zu den Service Packs für Windows 2000 finden Sie unter microsoft.com.

- 3 Verbinden Sie den RJ45-Stecker am Kabel direkt mit dem PowerConnect 81xx RJ45-Konsolen-Port auf der Rückseite des Switches.

Starten des Switches

Wenn der Strom eingeschaltet wird, durchläuft der Switch den Einschaltselbsttest (Power-On Self-Test = POST). Der Einschalt-Selbsttest wird bei jeder Initialisierung des Switches durchlaufen; dabei werden Hardwarekomponenten überprüft, um vor dem eigentlichen Startvorgang festzustellen, ob das Gerät vollständig betriebsbereit ist. Wenn beim POST ein kritisches Problem festgestellt wird, bricht der Programmablauf ab. Bei erfolgreicher Ausführung des POST wird eine gültige Firmware in den RAM geladen. Die Fehler- bzw. Erfolgsmeldungen des POST werden auf dem Terminal angezeigt. Der Startvorgang dauert ungefähr 60 Sekunden.

Bei angeschlossenem lokalem Terminal können Sie das Boot-Menü aufrufen, wenn der erste Teil des POST abgeschlossen ist. Vom Boot-Menü aus lassen sich folgende Konfigurationsaufgaben durchführen: Zurücksetzen des Systems auf die Herstellervorgaben, Aktivieren des Backup-Images oder Wiederherstellen eines Kennworts. Weitere Informationen über die Boot-Menü-Funktionen finden Sie im *CLI Reference Guide* (CLI-Referenzhandbuch).

Durchführen der Erstkonfiguration

Die Erstkonfiguration setzt folgende Punkte voraus:

- Der PowerConnect-Switch wurde noch nie zuvor konfiguriert und befindet sich im gleichen Zustand, in dem Sie ihn erhalten haben.
- Der PowerConnect-Switch wurde erfolgreich gestartet.
- Es besteht eine Konsolenverbindung und die Befehlszeile des **Dell Easy-Setup-Assistenten** wird auf dem Bildschirm des VT100-Terminals bzw. des entsprechenden Systems angezeigt.

Die Erstkonfiguration des Switches wird über den Konsolen-Port vorgenommen. Nach der Erstkonfiguration können Sie den Switch über den bereits verbundenen Konsolen-Port oder eine Remote-Verbindung verwalten.



ANMERKUNG: Der Switch ist nicht mit Standardvorgaben für Benutzername, Kennwort oder IP-Adresse konfiguriert.

Bevor Sie die Erstkonfiguration des Switches durchführen, erfragen Sie beim Netzwerkadministrator die folgenden Informationen:

- Die IP-Adresse für die außerbandige Schnittstelle (OOB) zur Geräteverwaltung.
- IP-Subnetzmaske für die OOB-Schnittstelle.
- Die IP-Adresse des Standard-Gateways der OOB-Schnittstelle.

Diese Einstellungen sind für die Fernverwaltung des Switches über Telnet (Telnet-Client) oder HTTP (Web-Browser) erforderlich.

Durchführen der Erstkonfiguration

Sie können die Erstkonfiguration mit dem **Dell Easy Setup-Assistenten** vornehmen oder über die CLI (Befehlszeilenschnittstelle) durchführen. Der Assistent wird automatisch gestartet, wenn die Switch-Konfigurationsdatei leer ist. Sie können den Assistenten jederzeit beenden, indem Sie [Strg+z] eingeben, doch gehen dabei alle festgelegten Konfigurationseinstellungen verloren und der Switch verwendet die Standardwerte.



ANMERKUNG: Wenn Sie den Easy Setup-Assistenten nicht ausführen oder auf die anfängliche Easy Setup-Eingabeaufforderung nicht reagieren, wechselt der Switch in die CLI-Betriebsart.

Weitere Informationen über das Durchführen der Erstkonfiguration mit der CLI erhalten Sie im *CLI Reference Guide* (CLI-Referenzhandbuch). Im vorliegenden *Getting Started Guide* (Handbuch zum Einstieg) ist erklärt, wie Sie den Easy Setup-Assistenten für die Switch-Erstkonfiguration verwenden. Der Assistent konfiguriert den Switch wie folgt:

- Einrichtung des anfänglichen uneingeschränkten Benutzerkontos mit gültigem Kennwort. Der Assistent konfiguriert beim Setup ein uneingeschränktes Benutzerkonto.
- Möglichkeit für CLI-Login und HTTP-Zugriff zur Verwendung der lokalen Authentisierungseinstellungen.
- Einrichtung der IP-Adresse für die OOB-Schnittstelle.
- Einrichtung des SNMP-Community-Strings für den SNMP-Manager an einer bestimmten IP-Adresse. Sie können diesen Schritt auslassen, wenn für den Switch kein SNMP-Management verwendet wird.

Beispiel-Ablauf

In diesem Abschnitt ist eine Sitzung mit dem Easy-Setup-Assistenten beschrieben. Folgende Werte werden in diesem Beispiel verwendet:



ANMERKUNG: Wenn der Switch unverpackt ist oder auf die werksseitigen Standardwerte eingestellt ist, gibt es keinen Benutzernamen, kein Kennwort und keine IP-Adresse.

- SNMP ist nicht aktiviert.
- Der Standardbenutzername **root** wird akzeptiert und das Kennwort **admin123** wird eingegeben. Der Assistent zeigt das Kennwort beim Eingeben nicht an.
- Die OOB-Verwaltungsschnittstelle verwendet **192.168.2.1** für das Zuweisen von IP-Adressen.



ANMERKUNG: Im folgenden Beispiel stehen die für den Benutzer wählbaren Optionen oder die Standardwerte in eckigen Klammern []. Wenn Sie die <Eingabetaste> drücken, ohne eine Option gewählt zu haben, akzeptieren Sie damit den Standardwert. Hilfetexte sind in Klammern gesetzt.

Das folgende Beispiel enthält eine Abfolge von Eingabeaufforderungen und Reaktionen im Rahmen einer beispielhaften Sitzung mit dem **Dell Easy-Setup-Assistenten**, wobei die oben genannten Eingabewerte verwendet werden.

Nachdem der Switch den POST durchlaufen und den Startvorgang abgeschlossen hat, wird der folgende Text angezeigt:

```
(Unit 1-Waiting to select management unit)>
```

```
Applying Global configuration, please wait ...
```

```
Welcome to Dell Easy Setup Wizard
```

```
The Setup Wizard guides you through the initial switch configuration, and gets you up and running as quickly as possible. You can skip the setup wizard, and enter CLI mode to manually configure the switch. You must respond to the next question to run the setup wizard within 60 seconds, otherwise the system will continue with normal operation using the default system configuration. Note: You can exit the setup wizard at any point by entering [ctrl+z].
```

```
Would you like to run the setup wizard (you must answer this question within 60 seconds)? [Y/N] y
```

```
First:
```

```
Do you want to select the operational mode as Simple Mode? [Y/N] y
```

```
Step 1:
```

```
The system is not setup for SNMP management by default. To manage the switch using SNMP (required for Dell Network Manager) you can
```

- . Set up the initial SNMP version 2 account now.
- . Return later and setup other SNMP accounts. (For more information on setting up an SNMP version 1 or 3 account, see the user documentation).

```
Would you like to setup the SNMP management interface now? [Y/N] n
```


Step 2:

Now we need to setup your initial privilege (Level 15) user account. This account is used to login to the CLI and Web interface. You may setup other accounts and change privilege levels later. For more information on setting up user accounts and changing privilege levels, see the user documentation.

To setup a user account:

Please enter the user name. [root]:

Please enter the user password:

Please reenter the user password:

Step 3:

Next, IP addresses are setup on the OOB (Out-Of-Band) Interface and/or the VLAN1 routing interface.

You can use these IP addresses to access the CLI, Web interface, or SNMP interface of the switch.

To access the switch through any Management Interface you can

- . Setup the IP address for the Management Interface.
- . Setup the default gateway if IP address is manually configured on both routing and OOB interface.

Would you like to setup the Out-Of-Band interface now?
[Y/N] **y**

Please enter the IP address of the device (A.B.C.D) or enter "DHCP" (without the quotes) to automatically request an IP address from the network DHCP server.
[192.168.2.1]:

Please enter the IP subnet mask (A.B.C.D or /nn).
[255.255.255.0]:

This is the configuration information that has been collected:

Operational Mode = Simple

User Account setup = root

Password = *****

Out-of-band IP address = 192.168.2.1 255.255.255.0

Final Step:

If the information is correct, please enter (Y) to save the configuration, and copy the settings to the start-up configuration file. If the information is incorrect, enter (N) to discard the configuration and restart the wizard: [Y/N] **y**

Thank you for using the Dell Easy Set up Wizard. You will now enter CLI mode.

Applying Interface configuration, please wait ...

console>

Nächste Schritte

Nach der Erstkonfiguration gemäß diesem Abschnitt können Sie jeden der Switch-Ports auf der Vorderseite mit dem Produktionsnetzwerk zur in-bandigen Remote-Verwaltung verbinden.

Wenn Sie für die IP-Adresse des OOB-Verwaltungsschnittstelle DHCP festlegen, fordert die Schnittstelle seine IP-Adresse von einem DHCP-Server im Netzwerk an. Um die dynamisch zugewiesene IP-Adresse anzuzeigen, geben Sie über die Konsolen-Port-Verbindung den folgenden Befehl ein:

```
show ip interface out-of-band.
```

Um auf die Dell OpenManage Switch Administrator-Schnittstelle zuzugreifen, geben Sie die IP-Adresse der OOB-Verwaltungsschnittstelle in die Adresszeile eines Web-Browsers ein. Um CLI-Fernverwaltungszugriff zu erhalten, geben Sie IP-Adresse der OOB-Verwaltungsschnittstelle in einen Telnet- oder SSH-Client ein. Alternativ können Sie weiterhin den Konsolen-Port zum lokalen CLI-Zugriff auf den Switch verwenden.

Der PowerConnect 81xx Switch unterstützt grundlegende Switch-Funktionen wie VLANs, 802.1X, RADIUS und TACACS+. Weitere Informationen über die Funktionen in der Betriebsart Simple (Einfach) finden Sie im Dokument *Simple Switch Mode: Port Aggregator Feature White Paper* (Switch-Betriebsart Simple: Whitepaper zur Port-Aggregator-Funktion).

Wenn der Switch auf die Betriebsart Normal konfiguriert wird, werden auch Funktionen wie Spanning-Tree und erweiterte Layer-3-Funktionen wie dynamisches Routing und Multicast unterstützt. Verwenden Sie die Web-Verwaltungsschnittstelle oder die CLI, um die Funktionen entsprechend den Netzwerkanforderungen zu konfigurieren. Informationen über das Konfigurieren von Switch-Funktionen finden Sie im *User's Configuration Guide* (Konfigurationsanleitung) oder dem *CLI Reference Guide* (CLI-Referenzhandbuch) auf der Support-Website unter support.dell.com/support.

Dell PowerConnect
81xx Series Switch
Panduan Pengaktifan

**Model sesuai Regulasi: PC8132, PC8132F,
PC8164, PC8164F**



Catatan



CATATAN: CATATAN memberikan informasi penting yang dapat membantu Anda untuk menggunakan komputer Anda dengan lebih baik.



PERHATIAN: PERHATIAN menunjukkan kemungkinan kerusakan perangkat keras atau kehilangan data jika instruksi tidak dipatuhi.

Informasi dalam publikasi ini bisa berubah tanpa pemberitahuan lebih dahulu.

© 2012 Dell Inc. Hak Cipta dilindungi undang-undang.

Dilarang keras memperbanyak materi ini dengan cara apapun tanpa persetujuan tertulis dari Dell Inc.

Merek dagang yang digunakan di dalam teks ini: Dell™, the DELL logo, PowerConnect™, OpenManage™, ReadyRails™, dan Torx™ are trademarks of Dell Inc. Microsoft®, Windows® adalah merek dagang atau merek dagang terdaftar dari Microsoft Corporation di Amerika Serikat dan/atau negara lainnya.

Merek-merek dan nama-nama dagang lain yang digunakan di dalam publikasi ini mengacu pada badan-badan usaha yang menguasai merek-merek dan nama-nama produk mereka. Dell Inc. menyatakan tidak memiliki kepentingan kepemilikan apapun di dalam merek dan nama dagang selain yang dimilikinya.

Model sesuai Regulasi PC8132, PC8132F, PC8164, PC8164F

Februari 2012 No. Komp. JHCTM Rev. A00

Daftar Isi

1	Pendahuluan	143
	Fitur.	143
2	Gambaran Umum Perangkat Keras	144
	Panel Depan	146
	Port Quad-Port SPF Uplink Tetap	146
	Slot Ekspansi.	147
	Antarmuka UART.	147
	LED Sistem	147
3	Instalasi	150
	Penyiapan Lokasi	150
	Membuka kemasan Switch	150
	Isi Kemasan.	150
	Langkah-langkah Membuka Kemasan	151
	Memasang Switch pada Rak	151
	Pertimbangan Keamanan Pemasangan pada Rak	151
	Menginstal Sistem ReadyRails Dell	152
	Menginstal Switch	157

4	Mengaktifkan dan Mengkonfigurasi Switch	158
	Menghubungkan Switch ke Terminal	159
	Mem-boot Switch	160
	Melakukan Konfigurasi Awal	160
	Prosedur Konfigurasi Awal	161
	Contoh Sesi	162
	Langkah Selanjutnya	166

Pendahuluan

Dokumen ini memberikan informasi dasar mengenai switch seri Dell PowerConnect 81xx, PC8132, PC8132F, PC8164, PC8164F, termasuk cara menginstal switch dan melakukan konfigurasi awal. Untuk informasi mengenai cara mengkonfigurasi dan memonitor fitur-fitur switch, lihat *Panduan Konfigurasi Pengguna*, yang dapat diperoleh melalui situs internet Dukungan Dell di support.dell.com/support untuk pembaruan dokumentasi dan firmware terkini.

Dokumen ini berisi bagian-bagian berikut ini:

- Gambaran Umum Perangkat Keras
- Instalasi
- Mengaktifkan dan Mengkonfigurasi Switch

Fitur

Seri PowerConnect 8100 adalah switch jaringan non-stop yang sangat mudah disesuaikan skalanya untuk agregasi berbagai lokasi dan implementasi switch inti 10GbE. Kelompok switch Layer 3 memberikan kinerja kecepatan kabel 10/40 GbE yang diperlukan untuk menjalankan tuntutan infrastruktur Enterprise dan bisnis, seraya memungkinkan penyesuaian skala dan pengoperasian 10 GbE densitas tinggi dengan pengelolaan yang disederhanakan.

Seri PC8100 memberikan ketersediaan tinggi dan cadangan untuk inti kecil dan implementasi agregasi yang mendukung pertumbuhan jaringan Anda menuju operasi 10 GbE densitas tinggi dan menuju 4GbE untuk inti Enterprise. Kelompok ini memberikan penumpukan densitas tinggi baik dengan port 10GbE maupun 40GbE, dapat dikelola sebagai satu unit logika tunggal, serta menyediakan cadangan catu daya, kipas dan gambar firmware. Pengelolaan yang disederhanakan juga mencakup fitur USB Rapid Deployment untuk mempercepat addressing jaringan saat bootup, serta instalasi gambar firmware yang dirampingkan di seluruh tumpukan. Opsi pengelolaan fleksibel mencakup manajemen jarak jauh, CLI berstandar industri menggunakan server web tersemat, dan dukungan untuk aplikasi pengelola berbasis SMNP termasuk Dell OpenManage Network Manager.

Kelompok PC8100 mencakup dukungan jaringan penyimpanan dan optimalisasi iSCSI. Untuk menyederhanakan konektivitas dengan larik Dell EqualLogic, fitur Konfigurasi Otomatis iSCSI di semua switch Seri 8100 secara otomatis mendeteksi larik tersebut dan mengonfigurasi switch agar tercapai keluaran optimal. Fitur ini secara default diaktifkan, merampingkan proses hanya dengan menyambungkan satu kabel. Konektivitas dengan larik Dell Compellent juga disederhanakan dengan konfigurasi perintah tunggal.

Dell merancang Seri PowerConnect 8100 agar hemat energi mulai dari kabel daya hingga port, dimulai dengan port dengan kemampuan EEE untuk menurunkan konsumsi daya port aktif dan pasif untuk semua port. Selain itu, cadangan daya yang dapat beroperasi secara efisien di segala modus, kecepatan kipas yang bervariasi menurunkan konsumsi dengan menyesuaikan kecepatan dengan lingkungan melalui beberapa monitor suhu. Terakhir, kelompok PC8100 mencakup Garansi Terbatas Seumur Hidup Dell dengan Layanan Perangkat Keras Dasar (perbaikan atau penggantian) selamanya.

Gambaran Umum Perangkat Keras

Bagian ini berisi informasi tentang karakteristik perangkat dan konfigurasi perangkat keras modular untuk switch PowerConnect 81xx.

PowerConnect 81xx mempunyai dimensi fisik berikut:

- 440 x 460 x 44 mm (W x D x H).
- 17,32 x 18,11 x 1,73 inci (L x P x T).

PowerConnect 81xx memiliki desain rangka dengan empat macam solusi serta pita lebar switching 640 Gbps dan 320 Gbps seperti tercantum di bawah ini:

- 1 PC8132F - 24 port SFP+ 10G + modul ekstensi 40G/80G
- 2 PC8164F - 48 port SFP+ 10G + 2port 40G QSFP + modul ekstensi 40G/80G
- 3 PC8132 - 24 port 10GBaseT + modul ekstensi 40G/80G
- 4 PC8164 - 48 port 10GBaseT + 2port 40G QSFP + modul ekstensi 40G/80G

Slot modul dapat dipasang pada tiga jenis modul:

- SFP+
- 10G Base-T
- QSFP+

Sistem juga menyediakan satu port konsol antarmuka RS-232 tipe RJ45 dan port layanan Ethernet khusus untuk pengelolaan OOB.

PC81xx memiliki fitur berikut

- Mendukung satu port USB
- Empat puluh delapan port 10 Gbps untuk transceiver 1G/10G
- Dua port QSFP 40 Gbps tetap untuk transceiver 40G
- Satu slot ekspansi 80 Gbps untuk modul SFP+, 10G Base-T dan QSFP+
- Sistem CPU performa tinggi terpasang dengan memori besar. RAM DDR III XLP308H/256 MB NOR Flash/2GB
- Pengawasan suhu (TMP75)
- Monitor termal terbaca perangkat lunak
- Dukungan jam waktu RTC
- Catu daya cadangan hot plugging
- Monitoring arus untuk Pengelolaan daya
- Kipas ini dapat dilepas dan dikelola
- Tinggi rangka standar 1U

Panel Depan

Gambar berikut menampilkan PowerConnect 81xx panel depan:

Gambar 1. PowerConnect 81xx Panel Depan



Panel depan mencakup

- 24/48 port 10G Base-T tetap atau SFP+
- Port pengelola
- Port USB 2.0

CATATAN: Tampilan LED untuk indikator Sistem, kipas dan status daya pada panel belakang.

Port Quad-Port SPF Uplink Tetap

Model PC8164 dan PC8164F memiliki dua port QSFP tetap, masing-masing menyediakan fitur berikut:

- Empat port 10G dengan kabel quad-breakout/QBO
- Satu port 40G mendukung transceiver CR4, SR4 dan LR4
- LED status port panel depan

Koneksi QSFP dapat digunakan untuk penumpukan. Penumpukan didukung pada jarak hingga 100M.

CATATAN: Modul QSFP dapat digunakan hanya untuk switch seri PowerConnect 81xx.

Slot Ekspansi

Slot ekspansi 80 Gbps mendukung modul-modul berikut ini:

- SFP+ (empat port 10G)
- 10G Base-T (empat port 10G)
- QSFP+ (dapat dikonfigurasi sebagai dua port 40G atau hingga delapan port 10G)

Modul-modul tersebut dijual secara terpisah.

Antarmuka UART

Port UART (Universal Asynchronous Receiver Transmitter - Transmitter Penerima Asinkronus Universal) dibuat berdasarkan modul perangkat 16550 UART standar industri. Port UART menyediakan kemampuan komunikasi serial, yang memungkinkan komunikasi dengan model atau perangkat eksternal lainnya menggunakan protokol RS-232. Port serial ini menyediakan sambungan langsung ke switch dan memungkinkan Anda untuk mengakses CLI dari terminal konsol yang terhubung ke port melalui kabel serial yang disediakan (dengan YOST RJ45 ke konektor betina DB-9).

Port UART dapat dikonfigurasi secara terpisah dan dapat dijalankan sebagai tautan asinkronus dari 1200 baud hingga 4M baud.

Antarmuka UART dapat diprogram dengan opsi berikut:

- 5, 6, 7, atau 8 bit karakter
- 1, 1,5, atau 2 bit stop
- Opsi paritas
- Paritas genap/ganjil (jika opsi paritas diaktifkan)
- Paritas lengket (jika opsi paritas diaktifkan)

Defaultnya adalah 9600 laju baud, 8 bit data, Tanpa Paritas, 1 Bit Stop, Tanpa Kendali Aliran.

LED Sistem

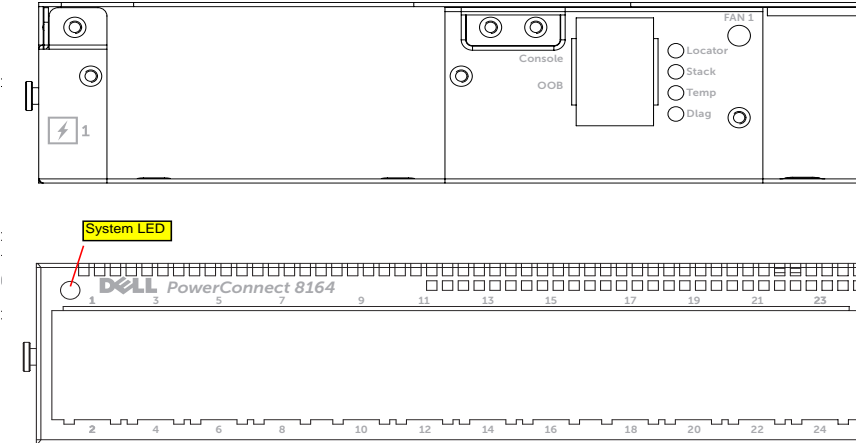
Sistem mempunyai dioda bercahaya (LED) yang mengindikasikan status System (Sistem), Temp (Suhu), Diag, Fan (Kipas), Stack (Tumpukan) dan Locator (Lokasi) unit PowerConnect 81xx. Tabel 1 berisi definisi status LED:

Tabel 1. Definisi LED untuk Sistem

Fitur	Deskripsi Rinci	Komentar
LED Sistem	<ul style="list-style-type: none"> • Biru solid - Operasi normal • Biru berkedip - Booting • Merah solid - Galat sistem kritis • Merah berkedip - Galat sistem non kritis (kegagalan kipas, kegagalan catu daya) 	Pada panel depan
LED Temp (Suhu)	<ul style="list-style-type: none"> • Mati - Suhu normal • Solid amber - Overtemp^a 	Pada panel belakang
LED Diag	<ul style="list-style-type: none"> • Mati - Operasi normal • Hijau berkedip - Tes diagnostik sedang dilakukan 	Pada panel belakang
LED Fan (Kipas)	<ul style="list-style-type: none"> • Hijau solid - Kipas berjalan dan pada RPM yang diharapkan • Merah solid - Kipas mati 	Pada panel belakang
LED Stack (Tumpukan)	<ul style="list-style-type: none"> • Biru solid - Switch berada pada modus tumpukan • Hijau solid - Switch berada pada modus budak tumpukan • Mati - Switch dalam modus berdiri sendiri 	Pada panel belakang
LED Locator (Lokasi)	<ul style="list-style-type: none"> • Biru berkedip - Fungsi lokasi diaktifkan • Biru solid - Fungsi lokasi dinonaktifkan 	Pada panel belakang

a. Batas suhu sistem sensor termal adalah 75°C. Jika batas terlampaui, LED Suhu akan menyala menjadi Kekuningan.

Gambar 2. LED Port



Instalasi

Penyiapan Lokasi

Sebelum memasang switch, pastikan bahwa lokasi instalasi yang dipilih memenuhi persyaratan lokasi berikut ini:

- **Ruang Bebas**—Tersedia ruang bebas yang memadai di bagian depan dan belakang untuk akses operator. Sediakan ruang bebas untuk pemasangan kabel, penyambungan daya, dan ventilasi.
- **Perkabelan**— Perkabelan diarahkan untuk menghindari sumber derau listrik seperti pemancar radio, amplifier siaran, jalur daya dan perangkat lampu pijar.
- **Suhu Ambien**—Rentang suhu ambien pengoperasian switch adalah 10° hingga 35°C (50° hingga 95°F).



CATATAN: Turunkan suhu maksimum sebesar 1°C (1.8°F) per 300 m (985 kaki.) di atas 900 m (2955 kaki.).

- **Kelembapan Relatif** — Kelembapan relatif adalah 8% hingga 85% (non-kondensasi) dengan gradasi kelembapan maksimum sebesar 10% per jam.

Membuka kemasan Switch

Isi Kemasan

Sewaktu membuka kemasan setiap switch, pastikan bahwa produk-produk berikut ini disertakan:

- Satu switch PowerConnect
- Satu kabel betina RJ45-ke-DB-9
- Dua set kit rel (tidak memerlukan alat)
- Dua PSU (dikemas terpisah)
- Dua kabel daya AC (sesuai negara/kawasan)
- *Panduan Pengaktifan*
- *Informasi Keselamatan dan Regulasi*
- *Informasi Garansi dan Dukungan*
- *Perjanjian Lisensi Perangkat Lunak*

Langkah-langkah Membuka Kemasan



CATATAN: Sebelum membuka kemasan switch, periksa kontainer dan laporkan segera setiap ada kerusakan.

- 1 Tempatkan kontainer di atas permukaan yang bersih dan rata serta potong semua tali yang mengikat kontainer.
- 2 Buka kontainer atau lepaskan bagian atas kontainer.
- 3 Dengan hati-hati keluarkan switch dari kontainer dan tempatkan di atas permukaan yang aman dan bersih.
- 4 Keluarkan semua material kemasan.
- 5 Periksa produk dan aksesoris untuk melihat ada tidaknya kerusakan.

Memasang Switch pada Rak

Anda dapat meletakkan switch pada rak penyimpanan atau memasang switch langsung pada rak selebar 19", yang sesuai dengan EIA-310-E (metode empat tiang, dua tiang atau berulir). Sistem Dell ReadyRails™ tersedia untuk rak depan 1U dan instalasi dua tiang. Sistem ReadyRails mencakup dua rakitan rel yang dikemas terpisah dan dua rel yang dikirimkan melekat pada bagian samping switch.



PERINGATAN: Berikut adalah rujukan singkat. Baca instruksi keselamatan dalam buklet informasi Keselamatan, Lingkungan dan Peraturan, sebelum Anda mulai.



CATATAN: Ilustrasi pada dokumen ini tidak dimaksudkan untuk menggambarkan switch tertentu.

Pertimbangan Keamanan Pemasangan pada Rak

- Muatan rak—Muatan rak yang berlebihan atau tidak merata dapat menyebabkan kerusakan rak, menyebabkan kerusakan pada peralatan dan mungkin menyebabkan orang cedera. Stabilkan rak pada lokasi yang permanen sebelum mulai memuat. Pasang komponen mulai dari bagian bawah rak, lalu bergerak ke bagian atas. Jangan melebihi rating muatan rak.

- Pertimbangan daya—Hubungkan hanya ke sumber daya yang ditentukan pada unit. Jika beberapa komponen listrik terinstal pada rak, pastikan bahwa rating daya komponen total tidak melebihi kemampuan sirkuit. Sumber daya dan kabel ekstensi yang kelebihan muatan menyebabkan bahaya kebakaran dan tersengat listrik.
- Suhu ambien yang meningkat—Ika diinstal pada rakitan rak tertutup, suhu pengoperasian lingkungan rak dapat lebih besar daripada suhu ruang. Berhati-hatilah agar tidak melebihi maksimal 50 derajat C suhu ambien switch.
- Aliran udara yang berkurang—Instal peralatan pada rak sehingga jumlah aliran udara yang dibutuhkan untuk pengoperasian peralatan yang aman tidak dilanggar.
- Pentanahan yang baik—Jaga pentanahan yang baik untuk peralatan yang dipasang pada rak. Berikan perhatian khusus pada koneksi pasokan daripada koneksi langsung ke sirkuit cabang misalnya: penggunaan kabel sambungan.
- Produk jangan dipasang dengan bagian belakang menghadap ke bawah.

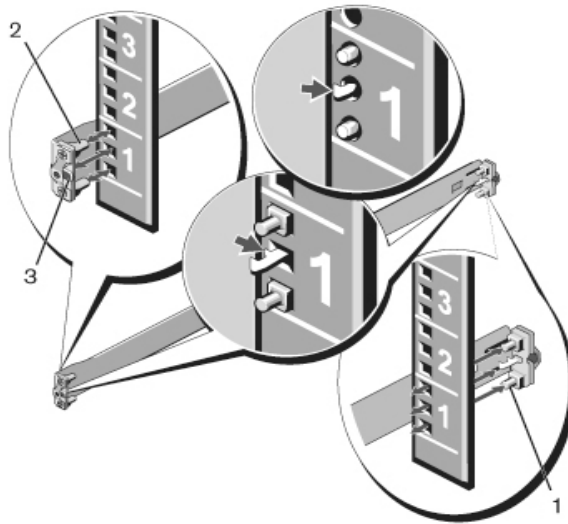
Menginstal Sistem ReadyRails Dell

Sistem ReadyRails rak pemasangan disediakan untuk memudahkan Anda mengkonfigurasi rak untuk instalasi switch Anda. Sistem ReadyRails dapat diinstal menggunakan metode niralat IU atau salah satu dari tiga metode dengan alat IU yang mungkin (pemasangan dua tiang sejajar, dua tiang tengah atau empat tiang berulir).

Konfigurasi Niralat 1U (Lubang Persegi Empat Tiang atau Lubang Bulat Tanpa Ulir)

- 1 Dengan kuping flens ReadyRails menghadap keluar, tempatkan satu rel di antara tiang vertikal kiri dan kanan. Sesuaikan dan dudukkan pasak rek flens belakang pada flens tiang vertikal belakang. Pada Gambar 3, butir 1 dan ekstraksinya menggambarkan bagaimana pasak tampak pada lubang persegi dan lubang bulat tanpa ulir.

Gambar 3. Konfigurasi Niralat 1U

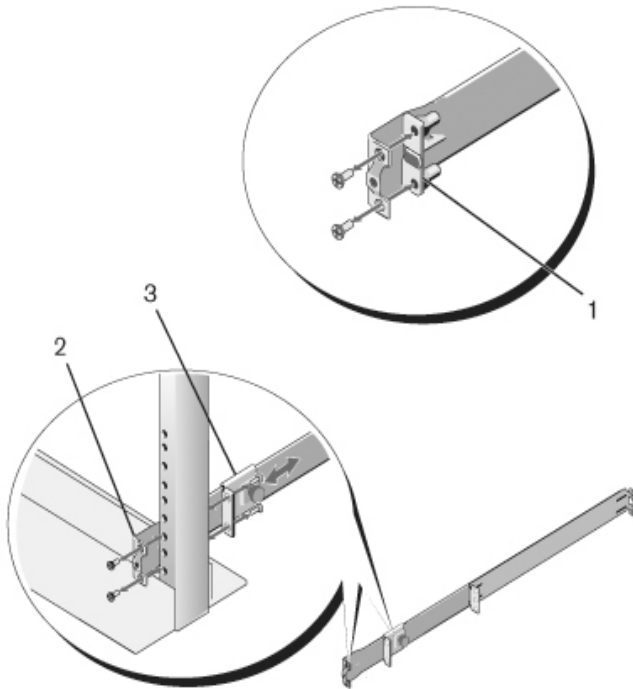


- 2 Sesuaikan dan dudukkan pasak flens depan pada lubang di sisi depan tiang vertikal. Lihat Gambar 3, butir 2.
- 3 Ulangi prosedur ini untuk rel kedua.
- 4 Untuk melepas masing-masing rel, tarik gerendel tombol pelepas pada masing-masing kuping flens dan lepaskan setiap rel. Lihat Gambar 3, butir 3.

Konfigurasi Dua tiang Pemasangan sejajar

- 1 Untuk konfigurasi ini, casting harus dilepaskan dari bagian depan masing-masing rakitan ReadyRails. Lihat Gambar 4, butir 1 pada halaman 154. Gunakan obeng Torx untuk melepaskan dua sekrup dari masing-masing kuping flens depan (pada sisi switch rel) dan lepaskan masing-masing casting. Simpan casting untuk kebutuhan rak nanti. Tidak perlu melepas casting flend belakang.

Gambar 4. Konfigurasi Dua tiang Pemasangan sejajar



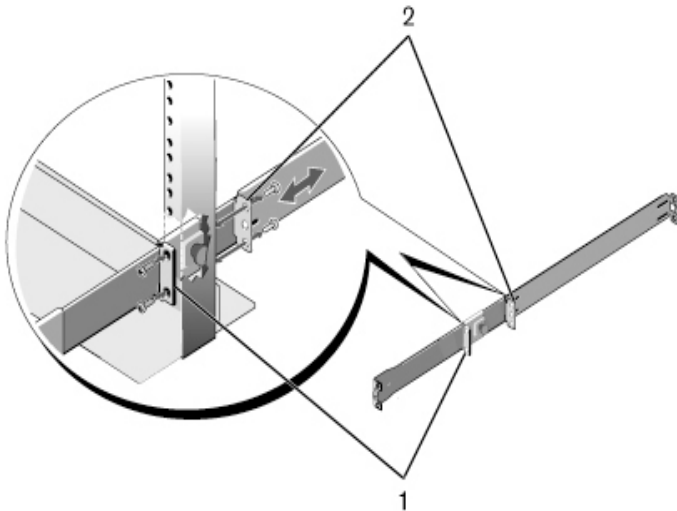
- 2 Pasang satu rel pada flens tiang depan dengan dua sekrup yang disediakan Lihat Gambar 4, butir 2.

- 3 Geser braket pendorong ke depan ke arah tiang vertikal dan kencangkan braket pendorong ke flens tiang dengan dua sekrup yang disediakan. Lihat Gambar 4, butir 3.
- 4 Ulangi prosedur ini untuk rel kedua.

Konfigurasi Dua tiang Pemasangan tengah

- 1 Geser braket pendorong ke belakang sampai berbunyi klik pada tempatnya dan kencangkan braket ke flens tiang depan dengan dua sekrup yang disediakan. Lihat Gambar 5, butir 1.

Gambar 5. Konfigurasi Dua tiang Pemasangan tengah

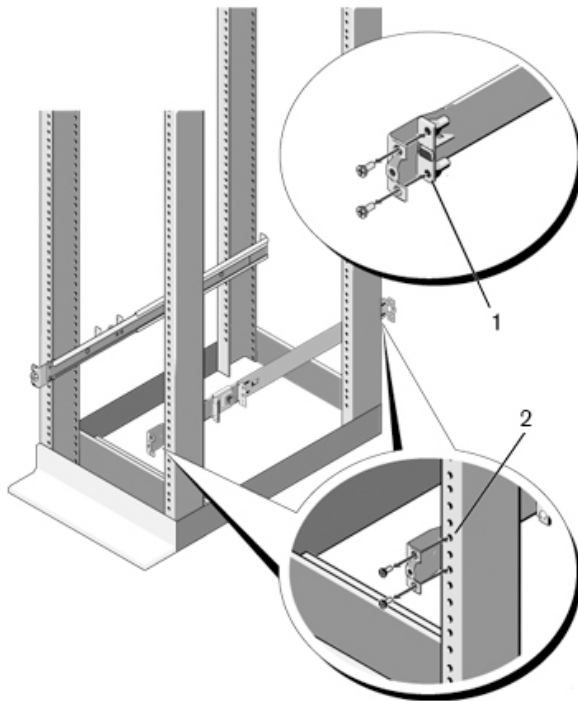


- 2 Geser braket belakang ke arah tiang dan kencangkan ke flens tiang dengan dua sekrup yang disediakan. Lihat Gambar 5, butir 2.
- 3 Ulangi prosedur ini untuk rel kedua.

Konfigurasi Empat Tiang Berulir

- 1 Untuk konfigurasi ini, casting harus dilepaskan dari ujung masing-masing rakitan ReadyRails. Gunakan obeng Torx untuk melepaskan dua sekrup dari masing-masing kuping flens dan lepaskan setiap casting Lihat Gambar 6, butir 1 pada halaman 156. Simpan casting untuk kebutuhan rak nanti.
- 2 Untuk masing-masing rel, pasang flens depan dan belakang pada flens tiang dengan dua sekrup yang disediakan pada setiap ujung. Lihat Gambar 6, butir 2 pada halaman 156.

Gambar 6. Konfigurasi Empat Tiang Berulir



Menginstal Switch

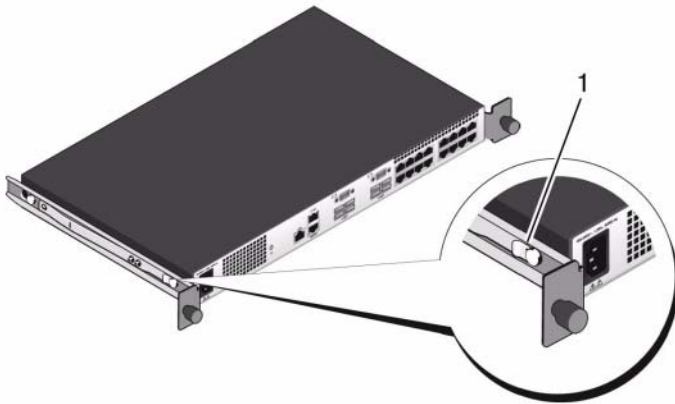
Switch dapat dipasang pada rak depan 1U dan konfigurasi 1U dua tiang (sejajar dan tengah). Berikut ini adalah contoh konfigurasi rak depan 1U. Konfigurasi 1U dua tiang (sejajar dan tengah), Anda dapat menggeser switch pada rel dengan cara yang sama pada konfigurasi empat tiang.

Instalasi 1U Rak depan

Rel yang menempel pada switch harus dikonfigurasi.

- 1 Menempelkan rel switch (bagian rangka sebelah dalam) ke switch PC81xx. Gambar 7, butir 1 menunjukkan detail kunci bagian depan dengan tab pengunci.

Gambar 7. Menempelkan Rel Switch

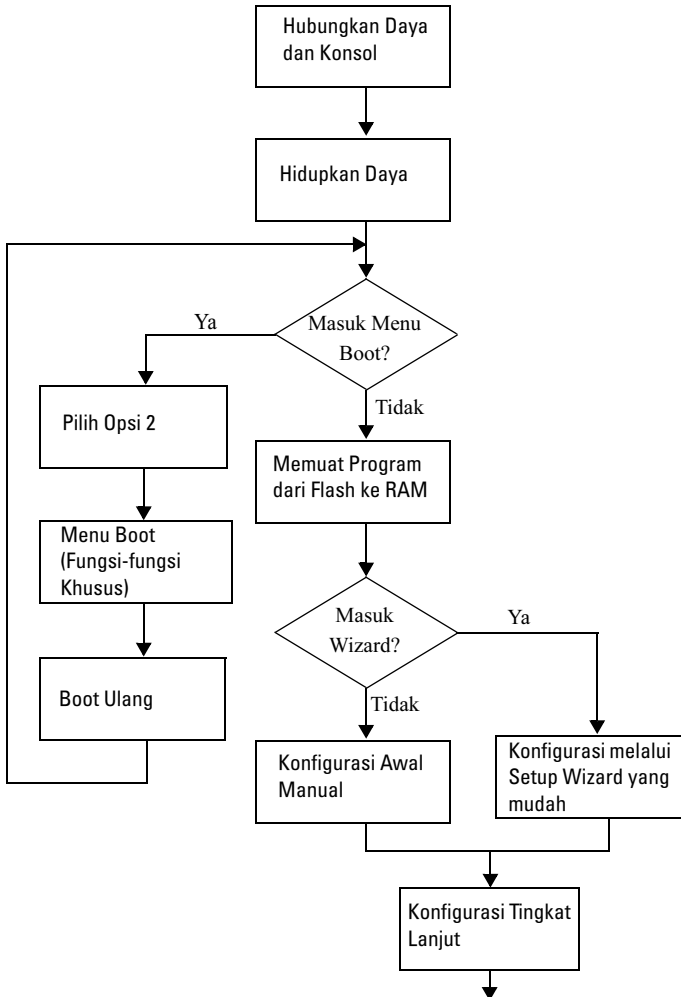


- 2 Setelah kedua rel switch terinstal, bariskan pada Ready-Rails yang sebelumnya dipasang ke rak dan geser switch sampai sejajar dengan bagian depan rak. Sekitar 3 inci sebelum penyisipan penuh, fitur penguncian rel akan bekerja untuk menjaga agar switch tidak meluncur tanpa sengaja keluar rel dan jatuh.

Mengaktifkan dan Mengkonfigurasi Switch

Bagan alir berikut ini memberikan gambaran umum mengenai langkah-langkah untuk melakukan konfigurasi awal setelah switch dikeluarkan dari kemasannya dan dipasang.

Gambar 8. Bagan Alir Instalasi dan Konfigurasi



Menghubungkan Switch ke Terminal

Setelah menyelesaikan semua sambungan eksternal, hubungkan terminal ke switch untuk mengkonfigurasi switch.



CATATAN: Bacalah catatan rilis untuk produk ini sebelum melanjutkan. Anda dapat mengunduh catatan rilis dari situs web Dukungan Dell di support.dell.com/support.



CATATAN: We recommend that you obtain the most recent version of the user documentation from the Dell Support website at support.dell.com/support.

Untuk memantau dan mengonfigurasi switch melalui konsol serial, gunakan port konsol RJ45 di panel belakang switch untuk menghubungkannya ke terminal VT100 atau ke komputer yang menggunakan perangkat lunak emulasi VT100. Port konsol tersebut diimplementasikan sebagai konektor peralatan terminal data (DTE).

Peralatan berikut ini diperlukan untuk menggunakan port konsol:

- VT100-compatible terminal or a desktop or a portable computer with a serial port running VT100 terminal emulation software, such as Microsoft HyperTerminal.
- Kabel serial (disediakan) dengan konektor RJ45 untuk port konsol dan konektor DB-9 untuk terminal.

Lakukan tugas-tugas berikut ini untuk menghubungkan terminal ke port konsol switch:

- 1 Hubungkan konektor DB-9 pada kabel serial ke terminal atau komputer yang menjalankan perangkat lunak emulasi terminal VT100.
- 2 Konfigurasi perangkat lunak emulasi terminal sebagai berikut:
 - a Pilih port serial yang sesuai (misalnya, COM 1) untuk menyambung ke konsol.
 - b Setel kecepatan transmisi data ke 9600 baud.
 - c Setel format data ke 8 bit data, 1 bit stop, dan tanpa paritas.
 - d Setel kontrol aliran ke tidak ada.
 - e Setel modus emulasi terminal ke VT100.
 - f Pilih kunci-kunci Terminal untuk kunci Fungsi, Panah, dan Ctrl. Pastikan bahwa setelan adalah untuk kunci-kunci Terminal (bukan kunci-kunci Microsoft Windows).



CATATAN: Ketika menggunakan HyperTerminal dengan Microsoft Windows 2000, pastikan bahwa Anda telah menginstal Windows 2000 Service Pack 2 atau yang versi yang lebih tinggi. Dengan Windows 2000 Service Pack 2, kunci-kunci panah berfungsi sebagaimana mestinya dalam emulasi HyperTerminal's VT100. Buka **microsoft.com** untuk informasi lebih lanjut mengenai Windows 2000 service pack.

- 3 Hubungkan konektor RJ-45 pada kabel langsung ke port konsol RJ45 PowerConnect 81xx yang berada di bagian belakang switch.

Mem-boot Switch

Ketika daya dinyalakan, switch akan melakukan tes mandiri daya hidup (power-on self-test (POST)) POST bekerja setiap kali switch diinisialisasi dan mengecek komponen perangkat keras untuk menentukan apakah switch benar-benar operasional sebelum melakukan booting secara penuh. Jika POST mendeteksi ada masalah kritis, aliran program akan berhenti. Jika POST berhasil, perangkat lunak permanen (firmware) akan dimuat ke RAM. Pesan POST ditampilkan pada terminal dan memperlihatkan keberhasilan atau kegagalan tes. Proses boot berjalan sekitar 60 detik.

Dengan terminal lokal yang terhubung, Anda dapat membuka menu Boot setelah bagian pertama POST selesai. Dari menu Boot, Anda dapat melakukan tugas-tugas konfigurasi seperti menyetel ulang sistem ke setelan pabrik, mengaktifkan gambar backup, atau memulihkan kata sandi. Untuk informasi mengenai fungsi menu Boot, lihat *Panduan Referensi CLI*.

Melakukan Konfigurasi Awal

Prosedur konfigurasi awal didasarkan pada asumsi-asumsi berikut ini:

- Switch PowerConnect tidak pernah dikonfigurasi sebelumnya dan berada dalam kondisi yang sama seperti waktu Anda terima.
- Switch PowerConnect berhasil diboot.
- Koneksi konsol telah terbentuk, dan prompt **Dell Easy Setup Wizard** muncul pada layar terminal VT100 atau terminal sejenis.

Konfigurasi awal switch dilakukan melalui port konsol. Setelah konfigurasi awal, Anda dapat mengelola switch dari port konsol yang sudah terhubung atau melalui koneksi jarak jauh.



CATATAN: Switch tidak dikonfigurasi dengan nama pengguna, kata sandi, atau alamat IP bawaan.

Sebelum mengatur konfigurasi awal switch, dapatkan informasi berikut ini dari administrator jaringan Anda:

- Alamat IP yang akan diberikan untuk antarmuka out-of-band (OOB) untuk pengelolaan perangkat.
- IP subnet mask untuk antarmuka OOB.
- Alamat IP dari gerbang default antarmuka OOB.

Pengaturan ini diperlukan untuk memudahkan pengelolaan jarak jauh switch melalui Telnet (Telnet client) atau HTTP (Web browser).

Prosedur Konfigurasi Awal

Anda dapat melakukan konfigurasi awal dengan menggunakan **Dell Easy Setup Wizard** atau dengan menggunakan CLI. Wizard tersebut secara otomatis bekerja ketika file konfigurasi switch kosong. Anda dapat keluar dari wizard kapan pun dengan menekan tombol [ctrl+z], tetapi semua pengaturan konfigurasi yang telah ditetapkan akan dibatalkan, dan switch akan menggunakan nilai-nilai default.




CATATAN: Jika Anda tidak menjalankan Easy Setup Wizard atau tidak merespons prompt awal Easy Setup Wizard dalam waktu 60 detik, switch akan masuk ke modus CLI.

Untuk informasi lebih lanjut tentang melakukan konfigurasi awal dengan menggunakan CLI, lihat *Panduan Referensi CLI*. *Panduan Pengaktifan* ini menjelaskan cara menggunakan Wizard Penataan Cepat untuk konfigurasi awal switch. Wizard akan mengatur konfigurasi berikut ini pada switch:


- Menetapkan akun awal dari pengguna yang diberi hak istimewa dengan kata sandi yang valid. Wizard akan mengkonfigurasi satu akun pengguna yang diberi hak istimewa selama proses pengaturan.
- Mengaktifkan login CLI dan akses HTTP untuk hanya menggunakan pengaturan autentikasi lokal.
- Menetapkan alamat IP untuk antarmuka pengelolaan OOB.
- Menetapkan string komunitas SNMP yang akan digunakan oleh pengatur SNMP di alamat IP tertentu. Anda dapat memilih untuk melewati langkah ini jika pengelolaan SNMP tidak digunakan untuk switch ini.

Contoh Sesi

Bagian ini menjelaskan sesi Easy Setup Wizard. Nilai-nilai berikut ini digunakan oleh sesi contoh:

 **CATATAN:** Tidak ada nama pengguna, sandi, atau alamat ip ketika switch dibuka dari kemasan atau disetel sesuai default pabrik.

- SNMP tidak diaktifkan.
- The default user name, **root**, is accepted and a password of **admin123** is entered. Wizard tidak akan menampilkan kata sandi yang dimasukkan.
- Antarmuka pengelolaan OOB menggunakan **192.168.2.1** sebagai IP address yang diberikan.

 **CATATAN:** Dalam contoh di bawah ini, opsi pengguna yang memungkinkan atau nilai default diberi kurung siku ([]). Jika Anda menekan <Enter> tanpa menetapkan opsi apapun, nilai default akan diterima. Teks bantuan ada di dalam kurung.

Contoh berikut ini berisi urutan prompt dan respons dalam kaitannya dengan menjalankan contoh sesi **Dell Easy Setup Wizard**, dengan menggunakan nilai-nilai input tersebut di atas.

Setelah switch selesai menjalani POST dan diboot, teks berikut ini akan ditampilkan:

```
(Unit 1 - Waiting to select management unit) (Unit 1 -  
Menunggu untuk memilih unit manajemen)>
```

```
Applying Global configuration, please wait ...  
(Menerapkan konfigurasi Global, harap tunggu ...)
```

```
Welcome to Dell Easy Setup Wizard (Selamat Datang di  
Dell Easy Setup Wizard)
```

```
The Setup Wizard guides you through the initial switch  
configuration, and gets you up and running as quickly  
as possible. (Setup Wizard akan memandu Anda melakukan  
konfigurasi switch awal, dan menyiapkan mesin Anda  
untuk dapat dijalankan secepat mungkin). You can skip  
the setup wizard, and enter CLI mode to manually  
configure the switch. (Anda dapat melompati setup  
wizard, dan memasuki modus CLI untuk mengkonfigurasi  
switch secara manual). You must respond to the next  
question to run the setup wizard within 60 seconds,
```

otherwise the system will continue with normal operation using the default system configuration. (Anda harus menanggapi pertanyaan berikutnya untuk menjalankan wizard penataan dalam 60 detik, jika tidak sistem akan melanjutkan operasi normal menggunakan konfigurasi sistem default.) Note: You can exit the setup wizard at any point by entering [ctrl+z]. (Catatan: Anda dapat keluar dari wizard sewaktu-waktu dengan menekan [ctrl+z])

Would you like to run the setup wizard (you must answer this question within 60 seconds)? (Apakah Anda ingin menjalankan setup wizard (Anda harus menjawab pertanyaan ini dalam 60 detik)) [Y/N] **y**

First: (Pertama)

Do you want to select the operational mode as Simple Mode? (Anda ingin memilih modus operasional sebagai Modus Sederhana?) [Y/N] **y**

Step 1: (Langkah 1:)

The system is not setup for SNMP management by default. (Sistem tidak disetel untuk pengelolaan SNMP secara default) To manage the switch using SNMP (required for Dell Network Manager) you can (Untuk mengelola switch menggunakan SNMP (diharuskan untuk Dell Network Manager), Anda dapat)

- . Set up the initial SNMP version 2 account now. (Membuat akun SNMP versi 2 awal sekarang.)
- . Return later and setup other SNMP accounts. (Kembali lagi nanti dan membuat akun SNMP lain.) (For more information on setting up an SNMP version 1 or 3 account, see the user documentation). (Untuk informasi selengkapnya tentang menyiapkan akun SNMP versi 1 atau 3, lihat dokumentasi pengguna).

Would you like to setup the SNMP management interface now? (Apakah Anda ingin menetapkan antarmuka pengelolaan SNMP sekarang?) [Y/N] **n**

Step 2: (Langkah 2:)

Now we need to setup your initial privilege (Level 15) user account. (Sekarang kita perlu menetapkan hak istimewa awal (Level 15) akun pengguna Anda.) This account is used to login to the CLI and Web interface. (Akun ini digunakan untuk masuk ke CLO dan antarmuka Web.) You may setup other accounts and change privilege levels later. (Anda dapat mengatur akun lainnya dan mengubah hak istimewa Anda nanti.) For more information on setting up user accounts and changing privilege levels, see the user documentation. (Untuk informasi lebih lanjut tentang menetapkan akun pengguna dan mengubah level hak istimewa, lihat dokumentasi pengguna.)

To setup a user account: (Menetapkan akun pengguna:)

Please enter the user name. (Masukkan nama pengguna)
[root]:

Please enter the user password: (Masukkan kata sandi pengguna:)

Please reenter the user password: (Masukkan ulang kata sandi)

Step 3: (Langkah 3:)

Next, IP addresses are setup on the OOB (Out-Of-Band) Interface and/or the VLAN1 routing interface. ((Berikutnya, alamat IP ditetapkan pada Antarmuka OOB (Out of Band) dan/atau antarmuka routing VLAN1.)

You can use these IP addresses to access the CLI, Web interface, or SNMP interface of the switch. (Anda dapat menggunakan alamat IP ini untuk mengakses CLI, antarmuka Web, atau antarmuka SNMP switch.)

To access the switch through any Management Interface you can (Untuk mengakses switch melalui berbagai Antarmuka Pengelolaan, Anda dapat)

- . Setup the IP address for the Management Interface. (Menentukan alamat IP untuk Antarmuka Pengelolaan.)
- . Setup the default gateway if IP address is manually configured on both routing and OOB interface. (Tetapkan gerbang default jika alamat IP dikonfigurasi secara manual baik untuk routing dan antarmuka OOB.)

Would you like to setup the Out-Of-Band interface now? (Apakah Anda ingin menetapkan antarmuka Out-Of -Band sekarang?) [Y/N] **y**

Please enter the IP address of the device (A.B.C.D) or enter "DHCP" (without the quotes) to automatically request an IP address from the network DHCP server. (Masukkan alamat IP perangkat (A.B.C.D) atau masukkan "DHCP" (tanpa tanda kutip) untuk meminta secara otomatis alamat IP dari server DHCP jaringan.)
[192.168.2.1]:

Please enter the IP subnet mask (A.B.C.D or /nn). (Masukkan mask subnet IP (A.B.C.D atau /nn).
[255.255.255.0]:

This is the configuration information that has been collected: (Berikut adalah konfigurasi yang dapat dikumpulkan:)

Operational Mode = Simple (Modul Operasional = Sederhana)

User Account setup = root (Penetapkan Akun Pengguna = root)

Password = ***** (Kata Sandi = *****)

Out-of-band IP address = 192.168.2.1 255.255.255.0
(Alamat IP Out-of-band = 192.168.2.1 255.255.255.0)

Final Step: (Langkah Terakhir)

If the information is correct, please enter (Y) to save the configuration, and copy the settings to the start-up configuration file. (Jika informasi ini benar, pilih (Y) untuk menyimpan konfigurasi, dan menyalinnya ke file konfigurasi start-up.) If the information is incorrect, enter (N) to discard the configuration and restart the wizard: (Jika informasi ini tidak benar, pilih (N) untuk membuang konfigurasi dan memulai ulang wizard:) [Y/N] **y**

Thank you for using the Dell Easy Set up Wizard. ((Terima kasih telah menggunakan Dell Easy Set up Wizard.) You will now enter CLI mode. (Sekarang Anda memasuki modus CLI.)

Applying Interface configuration, please wait ...
(Menerapkan konfigurasi Antarmuka, harap tunggu ...)

console>

Langkah Selanjutnya

Setelah menyelesaikan konfigurasi awal sebagaimana dijelaskan dalam bagian ini, Anda dapat menghubungkan port switch panel depan mana pun ke jaringan produksi Anda untuk pengelolaan in-band jarak jauh.

Jika Anda menetapkan DHCP untuk alamat IP antarmuka pengelolaan OOB, antarmuka tersebut akan mengambil alamat IP dari server DHCP pada jaringan. Untuk menemukan alamat IP yang diberikan secara dinamis, gunakan koneksi port konsol untuk mengeluarkan perintah berikut ini:

show ip interface out-of-band.

Untuk mengakses antarmuka **Dell OpenManage Switch Administrator**, masukkan alamat IP antarmuka pengelolaan OOB ke kolom alamat pada peramban Web. Untuk akses pengelolaan jarak jauh ke CLI, masukkan alamat IP antarmuka pengelolaan OOB ke klien Telnet atau SSH. Selain itu, Anda dapat melanjutkan untuk menggunakan port konsol untuk akses CLI lokal ke switch.

Switch PowerConnect 81xx mendukung fitur switching dasar, seperti VLANs, 802.1X, RADIUS dan TACACS+. Untuk informasi lebih lanjut mengenai fitur-fitur yang didukung dalam modus Sederhana, lihat *Simple Switch Mode: Port Aggregator Feature White Paper*.

Jika switch dikonfigurasi untuk beroperasi dalam modus Normal, switch tersebut dapat juga mendukung fitur-fitur seperti merentangkan protokol pohon, serta fitur-fitur lanjut Layer 3 seperti routing dinamis dan multicast. Gunakan antarmuka pengelolaan berbasis web atau CLI untuk mengonfigurasi fitur-fitur yang diperlukan jaringan Anda. Untuk informasi mengenai cara mengkonfigurasi fitur-fitur switch, lihat *Panduan Konfigurasi Pengguna* atau *Panduan Referensi Pengguna CLI* yang tersedia di situs dukungan support.dell.com/support.

Dell PowerConnect
81xx シリーズ スイッチ
はじめに

認可モデル：PC8132、PC8132F、
PC8164、PC8164F



メモ



メモ：コンピュータを使いやすくするための重要な情報を説明しています。



注意：手順に従わないと、ハードウェアの損傷やデータの損失につながる可能性があることを示しています。

本書の内容は予告なく変更されることがあります。

© 2012 すべての著作権は Dell Inc. にあります。

Dell Inc. の書面による許可のない複製は、いかなる形態においても厳重に禁じられています。

本書に使用されている商標：Dell™、DELL ロゴ、PowerConnect™、OpenManage™、ReadyRails™ および Torx™ は Dell Inc. の商標です。Microsoft® および Windows® は米国および / またはその他の国における Microsoft Corporation の登録商標です。

商標または製品の権利を主張する事業体を表すために、その他の商標および社名が使用されていることがあります。それらの商標や会社名は、一切 Dell Inc. に帰属するものではありません。

認可モデル PC8132、PC8132F、PC8164、PC8164F

2012 年 2 月 P/N JHCTM Rev. A00

目次

1	はじめに	173
	機能	173
2	ハードウェアの概要	174
	前面パネル	176
	クアッドポート SFP アップリンク固定ポート	176
	拡張スロット	177
	UART インタフェース	177
	システム LED	178
3	設置	180
	設置場所の準備	180
	スイッチの開梱	180
	パッケージの内容	180
	開梱の手順	181
	スイッチのラックへの取り付け	181
	ラックに取り付ける際の安全上の注意	181
	Dell ReadyRails システムの取り付け	182
	スイッチの取り付け	187

4	スイッチの起動と設定	188
	ターミナルへの接続	189
	スイッチの起動	190
	初期設定の実行	191
	初期設定の手順	191
	サンプルセッション	193
	次の手順	196

はじめに

本書では、Dell PowerConnect 81xx シリーズのスイッチ、PC8132、PC8132F、PC8164、PC8164F の設置と初期設定の手順を含む基本について説明しています。スイッチ機能の設定と監視については、『Users Configuration Guide』（設定ガイド）を参照してください。このガイドはデルサポートサイト support.dell.com/support で入手できます。マニュアルとファームウェアの最新版もこのサイトで確認してください。

以下のセクションに分かれています。

- ハードウェアの概要
- 設置
- スwitchの起動と設定

機能

PowerConnect 8100 シリーズは、キャンパスアグリゲーションとコアスイッチングの 10 GbE 展開を実現する、スケーラビリティに優れたノンストップのネットワーキングスイッチです。レイヤ 3 スwitchのこのシリーズでは、パワーを必要とするエンタープライズとビジネス用のインフラに求められる 10/40 GbE ワイヤ速度のパフォーマンスに加えて、優れたスケーラビリティと高密度 10 GbE の動作が実現し、管理手順も単純化されています。

PC8100 シリーズでは、高い可用性と冗長性により、スモールコアとアグリゲーションの展開が実現しています。これにより、高密度 10 GbE の動作とエンタープライズコアに対応できる 40 GbE にネットワークを拡張できます。このシリーズでは、10GbE または 40GbE のポートを使用して、単一の論理ユニットとして管理できる高密度スタッキングが可能です。また、電源ユニット、ファン、ファームウェアイメージの冗長性が実現しています。USB Rapid Deployment の機能も管理が単純化されており、起動時のネットワークアドレッシングが迅速に行われます。また、ファームウェアイメージをスタック全体にインストールする処理も能率化されています。柔軟に使用できる管理オプションとして、業界標準の CLI、埋め込みウェブサーバーを使用するリモート管理、および Dell OpenManage Network Manager に代表される SNMP ベースの管理アプリケーションに対するサポートがあります。

PC8100 シリーズでは、ストレージネットワークングがサポートされ、iSCSI の最適化が実現しています。Dell EqualLogic アレイとの接続機能も簡素化されています。8100 シリーズスイッチ全機種に備わっている iSCSI 自動設定機能によってアレイが自動的に検知され、スイッチのスループットが最適となるようにスイッチが設定されます。この機能はデフォルトで有効に設定されており、ユーザーの作業はケーブルを接続するだけです。Dell Compellent アレイとの接続も、1 つのコマンドで済むように簡素化されています。

PowerConnect 8100 シリーズは、全ポートのアクティブ/パッシブポート消費電力を抑える EEE 対応ポートを始め、電源ケーブルからポートまで徹底した省電力の設計になっています。すべてのモードで効率的に動作する冗長電源ユニットに加えて、可変速度ファンは、複数の温度モニターを介して周囲温度に適した速度に調節することで、消費電力を抑えます。最後に、PC8100 シリーズにはデルの限定保証と無期限のベーシックハードウェアサービス（修理または交換）が付帯しています。

ハードウェアの概要

本項では、PowerConnect 81xx スwitchのデバイス特性とモジュールのハードウェア構成について説明します。

PowerConnect 81xx の寸法は以下のとおりです。

- 440 x 460 x 44 mm (W x D x H)

PowerConnect 81xx のシャーシデザインは 4 種類のソリューションに対応しており、640 Gbps と 320 Gbps のスイッチング帯域幅があります（以下を参照）。

- 1 PC8132F - 24 ポート SFP+ 10G + 40G/80G 拡張モジュール
- 2 PC8164F - 48 ポート SFP+ 10G + 2 ポート 40G QSFP + 40G/80G 拡張モジュール
- 3 PC8132 - 24 ポート 10GBaseT + 40G/80G 拡張モジュール
- 4 PC8164 - 48 ポート 10GBaseT + 2 ポート 40G QSFP + 40G/80G 拡張モジュール

モジュールスロットには次の 3 種類のモジュールを挿入できます。

- SFP+
- 10G Base-T
- QSFP+

システムには RS-232 インタフェース RJ45 タイプのコンソールポート 1 個と OOB 管理機能用の専用イーサネットサービスポート 1 個が備わっています。

PC81xx には次の機能があります。

- USB ポート 1 個をサポート
- 1G/10G トランシーバ用の 10 Gbps ポート 48 個
- 40G トランシーバ用の固定 40 Gbps QSFP ポート 2 個
- SFP+、10G Base-T、QSFP+ モジュール用の 80 Gbps 拡張スロット 1 個
- 大容量メモリを備えた高パフォーマンスオンボード CPU システム。XLP308H/256 MB NOR フラッシュ /2GB DDR III RAM。
- 温度監視 (TMP75)
- ソフトウェアで読み取り可能な温度モニター
- RTC タイムクロックのサポート
- ホットプラグ対応の冗長電源ユニット
- 電力管理用の電流モニタリング
- ファンは取り外して保守を行うことが可能です。
- 標準の高さ 1U のシャーシ

前面パネル


次の画像は PowerConnect 81xx の前面パネルを示したものです。

図 1. PowerConnect 81xx 前面パネル



前面パネルには以下のポートとインジケータがあります。

- 24/48 固定 10G Base-T または SFP+ ポート
- 管理ポート
- USB 2.0 ポート


 **メモ：**システムの LED ディスプレイ、ファン/電源ステータスインジケータは背面パネルにあります。

クアッドポート SFP アップリンク固定ポート

PC8164 および PC8164F の両モデルには固定 QSFP ポートが 2 個あり、それぞれが次の機能を備えています。

- クアッドブレイクアウト /QBO ケーブル付きの 10G ポート 4 個
- CR4、SR4、LR4 トランシーバをサポートする 40G ポート 1 個
- 前面パネルのポートステータス LED

スタッキングに QSFP 接続が使用できます。スタッキングは最大 100M の距離までサポートされています。

 **メモ：**QSFP モジュールは PowerConnect 81xx シリーズのスイッチ専用です。

拡張スロット

80 Gbps 拡張スロットは以下のモジュールをサポートしています。

- SFP+ (10G ポート 4 個)
- 10G Base-T (10G ポート 4 個)
- QSFP+ (40G ポート 2 個、または最大 8 個までの 10G ポートとして設定可能)

スタッキングモジュールは別売となっています。

UART インタフェース

UART (Universal Asynchronous Receiver Transmitter: 汎用非同期受信送信装置) ポートは、業界標準の 16550 UART デバイスをモデルに作られています。UART ポートにはシリアル通信機能があり、RS-232 プロトコルを使用してモデルデバイスまたはその他の外付けデバイスと通信できます。シリアルポートはスイッチとの直接接続をサポートし、付属のシリアルケーブル (両端が RJ45 YOST コネクタとメスの DB-9 コネクタ) を使用して、ポートに接続されているコンソールターミナルから CLI にアクセスできます。

UART ポートは別途設定が可能で、1200 ボーから 4M ボーの速度で非同期リンクとして使用できます。

UART インタフェースは次のオプションでプログラムできます。

- 5、6、7、または 8 キャラクタビット
- 1、1.5、または 2 ストップビット
- パリティオプション
- イーブン/オッドパリティ (パリティオプションが有効の場合)
- スティックパリティ (パリティオプションが有効の場合)

デフォルトは、9600 ボーレート、8 データビット、パリティなし、1 ストップビット、フロー制御なしです。

システム LED

システムには、PowerConnect 81xx ユニットのシステム、温度、診断、ファン、スタック、ロケータのステータスを示す LED があります。ステータス LED の定義を表 1 に示します。

表 1. システムの LED の定義

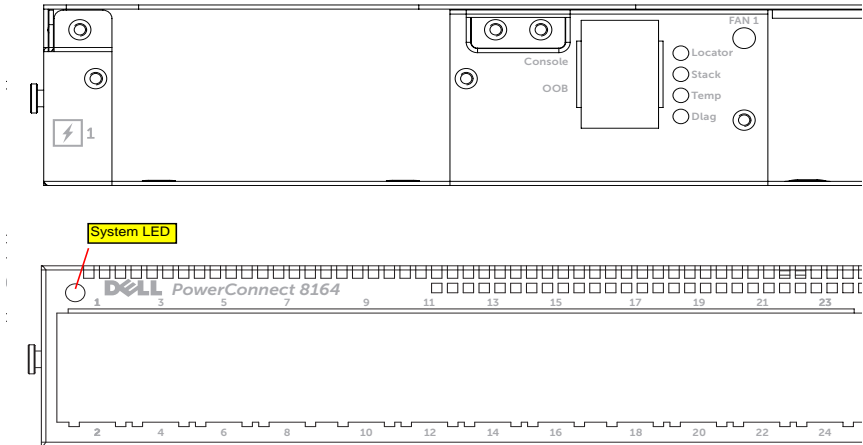
機能	詳細	コメント
システム LED	<ul style="list-style-type: none">青色の点灯 - 通常の動作青色の点滅 - 起動中赤色の点灯 - 重大なシステムエラー赤色の点滅 - 重大でないシステムエラー (ファンの障害、電源ユニットの障害)	前面パネル上
温度 LED	<ul style="list-style-type: none">消灯 - 正常温度黄色の点灯 - オーバーヒート^a	背面パネル上
診断 LED	<ul style="list-style-type: none">消灯 - 通常の動作緑色の点滅 - 診断テスト実行中	背面パネル上
ファン LED	<ul style="list-style-type: none">緑色の点灯 - ファンの電源がオンで、想定どおりの RPM赤色の点灯 - ファンに障害発生	背面パネル上
スタック LED	<ul style="list-style-type: none">青色の点灯 - スイッチはスタッキングモード緑色の点灯 - スイッチはスタッキングスレーブモード消灯 - スイッチはスタンドアロンモード	背面パネル上

表 1. システムの LED の定義 (続き)

機能	詳細	コメント
ロケータ LED	<ul style="list-style-type: none"> 青色の点滅 - ロケータ機能が有効 青色の点灯 - ロケータ機能が無効 	背面パネル上

a. 熱センサーのシステム温度のしきい値は 75 C です。しきい値を超えると、温度 LED が黄色に点灯します。

図 2. ポート LED



設置

設置場所の準備

スイッチを設置する前に、設置場所が以下の要件を満たしていることを確認します。

- **クリアランス** — 前後に作業に十分な空間がある。ケーブル配線、電源接続、および通気用の空間を確保してください。
- **ケーブル配線** — 無線機、通信用の増幅器、電力線、蛍光灯取り付け器具などの電氣的ノイズの発生源を避けて、ケーブルが配線されている。
- **周辺温度** — 動作時の周囲温度の範囲は 10 ~ 35C。



メモ：900 m を超える場所では、300 m 上昇することに最大温度を 1C 下げます。

- **相対湿度** — 動作相対湿度は、1 時間当たり最大 10 パーセントの湿度変化で 8 ~ 85 パーセント（結露しないこと）。


スイッチの開梱

パッケージの内容

スイッチを開梱し、以下のアイテムが揃っていることを確認します。

- PowerConnect スイッチ 1 台
- RJ45-to-DB-9 メスケーブル 1 本
- レールキット 2 組（工具は不要）
- PSU 2 基（別々に梱包）
- AC 電源ケーブル 2 本（国 / 地域の仕様に合ったもの）
- 『はじめに』
- 『安全および認可に関する情報』
- 『保証に関する情報』
- 『ソフトウェア製品ライセンス契約』


開梱の手順


 **メモ**：開梱する前に箱を調べて、損傷がある場合は、すぐにご連絡ください。

- 1 箱を整頓された平らな面に置き、箱を締めているすべてのストラップを切ります。
- 2 箱を開けるか、箱の上部を取り外します。
- 3 スイッチを箱から慎重に取り出し、安全で整頓された場所に置きます。
- 4 すべての梱包材を取り除きます。
- 5 製品とアクセサリに損傷がないか点検します。

スイッチのラックへの取り付け

スイッチは、ラックの棚に載せるか、19 インチ幅の EIA-310-E 準拠ラック（4 柱型、2 柱型、またはネジ式）に直接取り付けます。1U 前面ラックおよび 2 柱型ラックに設置する場合は、Dell ReadyRails™ システムが提供されています。ReadyRails システムには、別々に梱包されたレールアセンブリ 2 セットと、出荷時にスイッチ側面に取り付け済みの 2 本のレールが含まれています。

 **警告**：本書は要約版です。作業を開始する前に、『Safety, Environmental, and Regulatory Information』（安全、環境、および認可機関に関する情報）という小冊子に書かれている安全にお使いいただくための注意をお読みください。

 **メモ**：本書のイラストは、特定のスイッチを指しているものではありません。

ラックに取り付ける際の安全上の注意

- ラックへの荷重 — ラックへの荷重がオーバーしたり、荷重が均等でない場合には、棚やラックが損傷し、けがをしたり、装置が損傷したりするおそれがあります。取り付け作業を開始する前に、安定した設置場所にラックを固定します。コンポーネントの取り付けはラックの一番下から順に行います。ラックの定格荷重を超えないように注意してください。

- 電源に関する注意 — ユニットで指定されている電源以外には接続しないでください。電気を使用する複数のコンポーネントをラックに取り付ける場合は、電力定格の合計が回路の容量を超えないように注意してください。電源や延長コードにかかる電力が定格を超えると、発火や感電の危険があります。
- 周囲温度の上昇 — 閉ざされたラックアセンブリに設置した場合、ラック動作時の周囲温度が室内の周囲温度を上回ることがあります。スイッチの最大周囲温度 50 °C を超えないように注意してください。
- 通気の低下 — 装置をラックに取り付ける際に、装置が安全に動作するために十分な通気が得られるようにしてください。
- 確実なアース — ラックに取り付けた装置は、確実なアースを取ってください。分岐回路への直接接続以外の接続ができるように、特に注意してください（たとえば、電源タップを使用するなど）。
- 背面パネルが下向きになるような取り付け方は避けてください。

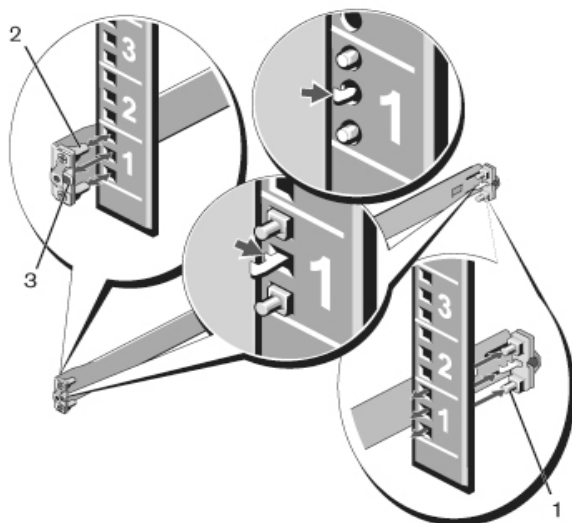
Dell ReadyRails システムの取り付け

スイッチを取り付けるためのラックの設定が容易に行えるように、ReadyRails ラック取り付けシステムが提供されています。ReadyRails システムは、1U ツールレスメソッドか、または 3 つの可能な 1U ツールドメソッド（2 柱型フラッシュマウント、2 柱型センターマウント、または 4 柱型ネジ式）を使用して取り付けすることができます。

1U ツールレスの構成 (4 柱型角穴またはネジ溝なし丸穴)

- 1 ReadyRails のフランジの耳が外側を向くようにして、1 本のレールを左右の支柱の間に置きます。背面フランジレールペグを背面支柱フランジに合わせ、挿入します。図 3 の 1 とその拡大図は、角穴とネジ溝なしの丸穴の両方でペグがどう見えるかを示したものです。

図 3. 1U ツールレスの構成

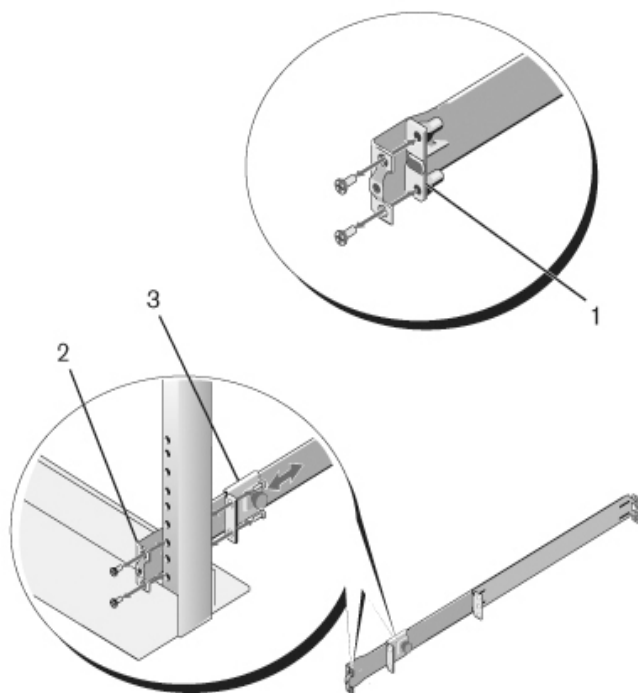


- 2 前面フランジペグを支柱前面の穴に合わせ、挿入します。図 3 の 2 を参照してください。
- 3 2 本目のレールについても、この手順を繰り返します。
- 4 各レールを取り外すには、各フランジの耳にあるラッチリリースボタンを引き、レールを外します。図 3 の 3 を参照してください。

2 柱型フラッシュマウント構成

- 1 この構成では、各 ReadyRails アセンブリの前面からキャストリングを取り外す必要があります。184 ページの図 4 の 1 を参照してください。Torx ドライバを使用して、各前面フランジの耳（レールのスイッチ側）から 2 本のネジを外し、各キャストリングを外します。キャストリングはラックで将来使用する時のために保管しておきます。背面フランジのキャストリングを取り外す必要はありません。

図 4. 2 柱型フラッシュマウント構成



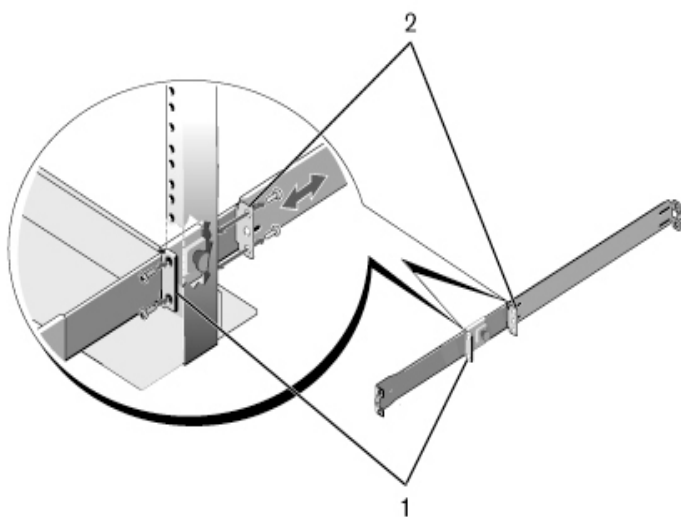
- 2 キットに含まれていない 2 本のネジで 1 本のレールを前面支柱フランジに固定します。図 4 の 2 を参照してください。

- 3 プランジャブラケットを支柱の方向にスライドさせ、キットに含まれていない2本のネジで支柱フランジに固定します。図4の3を参照してください。
- 4 2本目のレールについても、この手順を繰り返します。

2 柱型センターマウント構成

- 1 カチッと所定の位置に収まるまでプランジャブラケットを背面方向にスライドさせ、キットに含まれていない2本のネジで前面支柱フランジに固定します。図5の1を参照してください。

図5. 2 柱型センターマウント構成

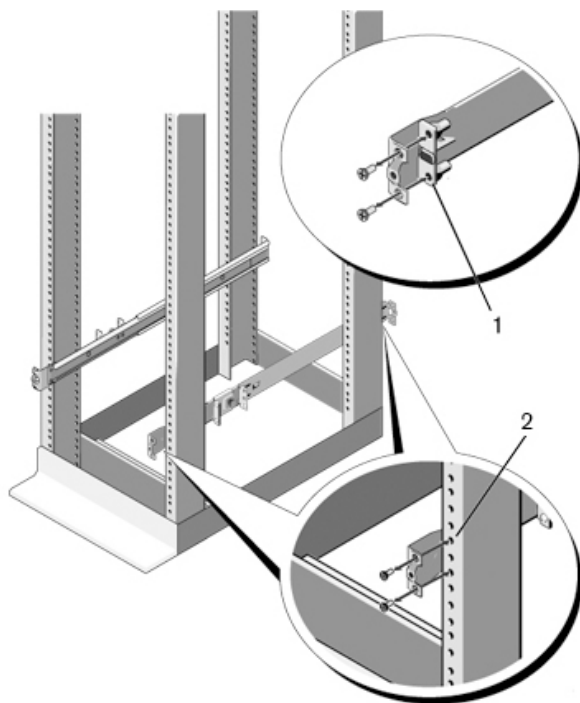


- 2 後部ブラケットを支柱の方向にスライドさせ、キットに含まれていない2本のネジで支柱フランジに固定します。図5の2を参照してください。
- 3 2本目のレールについても、この手順を繰り返します。

4 柱型ネジ式の構成

- 1 この構成では、ReadyRails アセンブリの両端からフランジの耳のキャストリングを取り外す必要があります。Torx ドライバを使用して、各フランジの耳から 2 本のネジを外し、各キャストリングを外します。186 ページの 図 6 の 1 を参照してください。キャストリングはラックで将来使用する時のために保管しておきます。
- 2 どのレールについても、キットに含まれていない 2 本のネジで前面と背面のフランジを両端とも支柱フランジに固定します。186 ページの 図 6 の 2 を参照してください。

図 6. 4 柱型ネジ式の構成



スイッチの取り付け

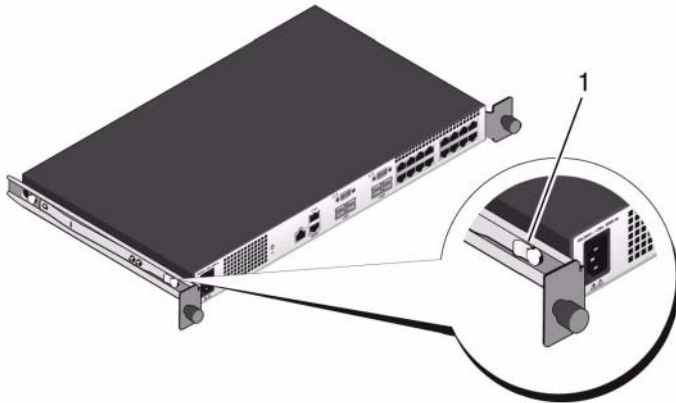
スイッチは 1U 前面ラックおよび 1U 2 柱型（フラッシュおよびセンター）の構成で取り付けることができます。以下は 1U 前面ラック構成の一例を示したものです。1U 2 柱型（フラッシュおよびセンター）構成でも、4 柱型構成と同様の方法でスイッチをレールに挿入することができます。

1U 前面ラックの取り付け

スイッチに取り付けるレールは設定が必要です。

- 1 スイッチレール（内部シャーシメンバー）を PC81xx スイッチに取り付けます。図 7 の 1 は、ロックタブ付きの前面突起の拡大図です。

図 7. スイッチレールの取り付け

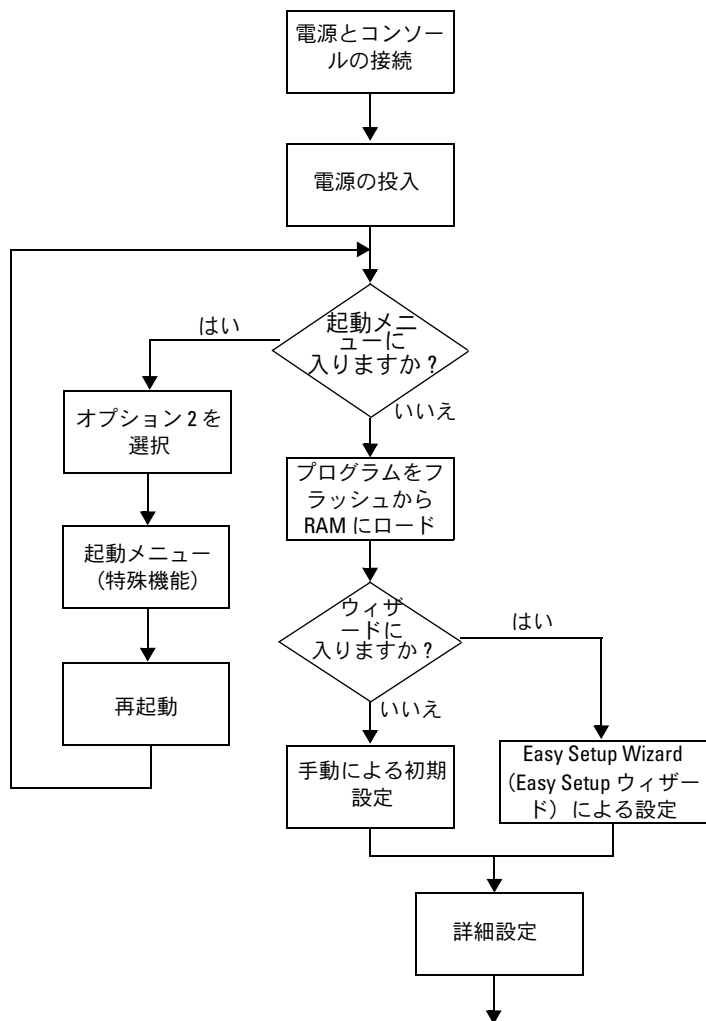


- 2 両方のスイッチレールを取り付けた後で、スイッチレールを先にラックに取り付けていたレディレール上に合わせ、ラックの前面と揃うまでスイッチを挿入します。完全な挿入状態の 8 cm ほど手前でレールのロック機能が働き、スイッチが誤ってラックから飛び出して落下することを防ぎます。

スイッチの起動と設定


以下のフローチャートは、スイッチの梱包を解いて取り付けた後で初期設定を行う際の手順の概要を示すものです。


図 8. 取り付けと設定のフローチャート



ターミナルへの接続

すべての外部接続の完了後、ターミナルをスイッチに接続してスイッチの設定を行います。

 **メモ**：以下の手順を実行する前に本製品のリリースノートをお読みください。リリースノートは、デルサポートサイト support.dell.com/support からダウンロードできます。

 **メモ**：ユーザーマニュアルは、デルサポートサイト support.dell.com/support から最新バージョンを入手されるようお勧めします。

シリアルコンソール経由でスイッチの監視と設定を行うには、スイッチの背面パネルにある RJ45 コンソールポートを使用して、VT100 ターミナルに、または VT100 ターミナルエミュレーションソフトウェアを実行しているコンピュータにスイッチを接続します。コンソールポートは、データ端末装置 (DTE) のコネクタとして実装されています。

コンソールポートを使用するために必要なものは以下のとおりです。

- Microsoft ハイパーターミナルなどの VT100 ターミナルエミュレーションソフトウェアを実行しており、シリアルポートが装備された、VT100 互換のターミナル、デスクトップまたはノートブックコンピュータ
- コンソールポート用の RJ45 コネクタとターミナル用の DB-9 コネクタを備えた付属のシリアルケーブル 1 本

スイッチのコンソールポートにターミナルを接続するには、以下の手順を実行します。

- 1 シリアルケーブルの DB-9 コネクタを VT100 ターミナルエミュレーションソフトウェアを実行しているターミナルまたはコンピュータに接続します。
- 2 ターミナルエミュレーションソフトウェアを以下のように設定します。
 - a コンソールに接続する適切なシリアルポート（たとえば COM 1）を選択します。
 - b データ速度を 9600 ボーに設定します。
 - c データ形式を、データビット 8、ストップビット 1、パリティなしに設定します。
 - d フロー制御をなしに設定します。

- e ターミナルエミュレーションモードを **VT100** に設定します。
- f Function, Arrow, and Ctrl keys (ファンクション、矢印、および Ctrl キー) に Terminal keys (ターミナルキー) を設定します。設定が Windows keys (Microsoft Windows キー) ではなく Terminal keys (ターミナルキー) であることを確認します。



メモ：Microsoft Windows 2000 でハイパーターミナルを使用する場合は、Windows 2000 Service Pack 2 またはそれ以降のバージョンがインストールされていることを確認してください。Windows 2000 Service Pack 2 を使用すると、ハイパーターミナルの VT100 エミュレーションで矢印キーが正しく機能します。Windows 2000 サービスパックの詳細については、**microsoft.com** を参照してください。

- 3 ケーブルの RJ45 コネクタをスイッチ背面にある PowerConnect 81xx RJ45 コンソールポートに直接接続します。

スイッチの起動

電源を入れると、スイッチは電源投入時の自己診断 (POST) を実行します。POST はスイッチの初期化のたびに実行され、完全に起動する前にハードウェアコンポーネントをテストして、スイッチが正常に動作することを確認します。重大な問題が検知されると、プログラムのフローが止まります。POST が正常に完了すると、有効なファームウェアが RAM に読み込まれます。テストが正常に完了したか失敗したかを知らせる POST メッセージがターミナルに表示されます。起動処理は約 60 秒で完了します。


ローカルターミナルを接続した状態で、POST の最初の部分が完了すると、Boot (起動) メニューを呼び出すことができます。Boot (起動) メニューから、工場出荷時のデフォルトへのリセット、バックアップイメージの有効化、パスワードを忘れた場合のリカバリなどの設定タスクを行うことができます。Boot (起動) メニュー機能の詳細については、『CLI Reference Guide』(CLI リファレンスガイド) を参照してください。

初期設定の実行

初期設定の手順は、以下が前提とされています。

- PowerConnect スイッチがこれまで設定されたことがなく、工場出荷時の状態のままであること。
- PowerConnect スイッチが正常に起動していること。
- コンソールへの接続が確立していて、VT100 ターミナル（または同等のデバイス）の画面に **Dell Easy Setup Wizard** のプロンプトが表示されること。

スイッチの初期設定はコンソールポートを介して行います。初期設定が完了すれば、すでに接続されているコンソールポートから、またはリモート接続経由で、スイッチを管理できます。

 **メモ**：スイッチはデフォルトのユーザー名、パスワード、IP アドレスを使用して設定されてはいません。


スイッチの初期設定を行う前に、ネットワーク管理者から以下の情報を入力してください。

- デバイス管理用の帯域外（OOB）インタフェースに割り当てる IP アドレス。
- OOB インタフェースの IP サブネットマスク。
- OOB インタフェースデフォルトゲートウェイの IP アドレス。

Telnet（Telnet クライアント）または HTTP（Web ブラウザ）経由でスイッチをリモート管理するには、これらの設定が必要です。

初期設定の手順

初期設定は、**Dell Easy Setup Wizard** または CLI を使用して行います。スイッチの設定ファイルが空の場合、ウィザードは自動的に起動します。ウィザードは **Ctrl+Z** を押せばいつでも終了できますが、設定した情報はすべて破棄され、デフォルト値が使用されます。

 **メモ**：Easy Setup Wizard を実行しない場合、または Easy Setup Wizard の初期プロンプトに 60 秒以内に応答しない場合、スイッチは CLI モードに入ります。

CLI を使用して初期設定を行う方法の詳細については、『CLI Reference Guide』（CLI リファレンスガイド）を参照してください。本書では、スイッチの初期設定に **Easy Setup Wizard** を使用する方法について説明しています。ウィザードにより、スイッチに以下の設定が行われます。

- 有効なパスワードが設定された初期特権ユーザーアカウントが設定されます。セットアップ中に 1 つの特権ユーザーアカウントが設定されます。
- CLI ログインと HTTP アクセスによってローカル認証の設定のみが使用できるようになります。
- OOB インタフェースの IP アドレスが設定されます。
- SNMP マネージャが所定の IP アドレスで使用する SNMP コミュニティストリングを設定します。このスイッチに SNMP 管理を使用しない場合は、この手順を省略して構いません。

サンプルセッション

本項では、Easy Setup Wizard のセッションについて説明します。サンプルセッションでは、以下の値が使用されています。



メモ：スイッチを箱から出した時の状態、または工場出荷時の状態では、ユーザー名、パスワード、IP アドレスは設定されていません。

- SNMP は無効です。
- デフォルトユーザー名 **root** が受け入れられ、パスワード **admin123** が入力済みである。入力中のパスワードは表示されません。
- OOB 管理インタフェースでは、IP アドレスの割り当てに **192.168.2.1** が使用されます。



メモ：次の例では、ユーザーが選択できる箇所またはデフォルト値は [] で括られています。オプションを指定せずに <Enter> を押すと、デフォルト値を受け入れることとなります。ヘルプテキストはかっこ内に示してあります。

次の例には、上記の入力値を使用して **Dell Easy Setup Wizard** のサンプルセッションを実行する際に表示される一連のプロンプトや応答が含まれています。

POST が完了してスイッチが起動すると、次のテキストが表示されます。

```
(Unit 1-Waiting to select management unit)>
```

```
Applying Global configuration, please wait ...
```

```
Welcome to Dell Easy Setup Wizard
```

```
The Setup Wizard guides you through the initial switch configuration, and gets you up and running as quickly as possible. You can skip the setup wizard, and enter CLI mode to manually configure the switch. You must respond to the next question to run the setup wizard within 60 seconds, otherwise the system will continue with normal operation using the default system configuration. Note: You can exit the setup wizard at any point by entering [ctrl+z].
```

```
Would you like to run the setup wizard (you must answer this question within 60 seconds)? [Y/N] y
```

First:

Do you want to select the operational mode as Simple Mode? [Y/N] **y**

Step 1:

The system is not setup for SNMP management by default. To manage the switch using SNMP (required for Dell Network Manager) you can

- . Set up the initial SNMP version 2 account now.
- . Return later and setup other SNMP accounts. (For more information on setting up an SNMP version 1 or 3 account, see the user documentation).

Would you like to setup the SNMP management interface now? [Y/N] **n**

Step 2:

Now we need to setup your initial privilege (Level 15) user account. This account is used to login to the CLI and Web interface. You may setup other accounts and change privilege levels later. For more information on setting up user accounts and changing privilege levels, see the user documentation.

To setup a user account:

Please enter the user name. [root]:

Please enter the user password:

Please reenter the user password:

Step 3:

Next, IP addresses are setup on the OOB (Out-Of-Band) Interface and/or the VLAN1 routing interface.

You can use these IP addresses to access the CLI, Web interface, or SNMP interface of the switch.

To access the switch through any Management Interface you can

- . Setup the IP address for the Management Interface.
- . Setup the default gateway if IP address is manually configured on both routing and OOB interface.

Would you like to setup the Out-Of-Band interface now?
[Y/N] **y**

Please enter the IP address of the device (A.B.C.D) or enter "DHCP" (without the quotes) to automatically request an IP address from the network DHCP server.
[192.168.2.1]:

Please enter the IP subnet mask (A.B.C.D or /nn).
[255.255.255.0]:

This is the configuration information that has been collected:

Operational Mode = Simple

User Account setup = root

Password = *****

Out-of-band IP address = 192.168.2.1 255.255.255.0

Final Step:

If the information is correct, please enter (Y) to save the configuration, and copy the settings to the start-up configuration file. If the information is incorrect, enter (N) to discard the configuration and restart the wizard: [Y/N] **y**

Thank you for using the Dell Easy Set up Wizard. You will now enter CLI mode.

Applying Interface configuration, please wait ...

console>

次の手順

本項で説明されている初期設定を完了したら、帯域内リモート管理用に前面パネルの任意のスイッチポートをプロダクションネットワークに接続することができます。

OoB 管理インタフェースの IP アドレスに DHCP を指定すると、インタフェースはネットワーク上の DHCP サーバーから IP アドレスを取得します。動的に割り当てられた IP アドレスを検知するには、コンソールポート接続を使用して次のコマンドを発行します。

show ip interface out-of-band.

Dell OpenManage Switch Administrator のインタフェースにアクセスするには、Web ブラウザのアドレスフィールドに OoB 管理インタフェースの IP アドレスを入力します。CLI に対してリモート管理アクセスを行うには、Telnet または SSH のクライアントに OoB 管理インタフェースの IP アドレスを入力します。または、スイッチへのローカル CLI アクセスにコンソールポートを引き続き使用することも可能です。

お使いの PowerConnect 81xx スイッチは、VLAN、802.1X、RADIUS、TACACS+ などの基本的なスイッチ機能をサポートしています。簡易モードでサポートされている機能の詳細については、『Simple Switch Mode: Port Aggregator Feature White Paper』（簡易スイッチモード：ポートアグリゲータ機能のホワイトペーパー）を参照してください。

スイッチが標準モードで動作するように設定されている場合は、スパンニングツリープロトコルなどの機能に加えて、動的ルーティングやマルチキャストなどの上級レイヤ 3 機能をサポートしています。ウェブベースの管理インタフェースや CLI を使用して、お使いのネットワークで必要とされる機能を設定してください。スイッチ機能の設定方法については、『Users Configuration Guide』（設定ガイド）または『CLI Reference Guide』（CLI リファレンスガイド）を参照してください。これらのガイドは、サポートサイト support.dell.com/support から入手できます。

Dell PowerConnect 81xx 시리즈 스위치 시작 안내서

규정 모델 : PC8132, PC8132F, PC8164,
PC8164F



참고



참고: "주"는 컴퓨터를 보다 효율적으로 사용하는데 도움이 되는 중요 정보를 제공합니다.



주의: "주의"는 지침을 준수하지 않을 경우의 하드웨어 손상이나 데이터 손실 위험을 설명합니다.

본 발행물에 수록된 정보는 사전 통보 없이 변경될 수 있습니다.

© 2012 Dell Inc. 저작권 본사 소유.

어떠한 경우에도 Dell Inc.의 사전 승인 없이 본 자료를 무단 복제하는 행위는 엄격하게 금지되어 있습니다.

본 설명서에 사용된 상표인 Dell™, DELL 로고, PowerConnect™, OpenManage™, ReadyRails™ 및 Torx™는 Dell Inc.의 상표입니다. Microsoft®, Windows®는 미국 및/또는 기타 국가에서 Microsoft Corporation의 등록 상표입니다.

본 발행물에서 특정 회사의 표시나 제품 이름을 지칭하기 위해 기타 상표나 상호를 사용할 수도 있습니다. Dell Inc.는 자사가 소유하고 있는 것 이외에 기타 모든 상표 및 상호에 대한 어떠한 소유권도 없습니다.

규정 모델 PC8132, PC8132F, PC8164, PC8164F

2012년 2월 P/N JHCTM Rev. A00

차례

1	소개	201
	기능	201
2	하드웨어 개요	202
	전면 패널	203
	4중 포트 SFP 업링크 고정 포트	204
	확장 슬롯	204
	UART 인터페이스	205
	시스템 LED	206
3	설치	208
	설치 현장 준비	208
	스위치 포장 풀기	208
	패키지 내용물	208
	포장 풀기 단계	209
	스위치 랙 장착	209
	랙 장착 안전 고려 사항	209
	Dell ReadyRails 시스템 설치	210
	스위치 설치	215

4	스위치 시작 및 구성	216
	스위치를 터미널에 연결	217
	스위치 부팅	218
	초기 구성 수행	218
	초기 구성 절차	219
	세션 예	220
	다음 단계	223

소개

본 설명서는 스위치 설치 방법 및 초기 구성 수행 방법을 비롯하여 Dell PowerConnect 81xx 시리즈 스위치인 PC8132, PC8132F, PC8164, PC8164F에 대한 기본 정보를 제공합니다. 스위치 기능 구성 및 모니터링 방법에 대한 자세한 내용은 *사용자 구성 안내서*를 참조하십시오. 이 안내서는 Dell 지원 웹사이트(support.dell.com/support)에서 사용할 수 있으며 설명서 및 펌웨어에 대한 최신 업데이트를 제공합니다.

본 설명서는 다음과 같은 항목으로 구성됩니다.

- 하드웨어 개요
- 설치
- 스위치 시작 및구성

기능

PowerConnect 8100 시리즈는 캠퍼스 집선 및 코어 스위칭 10GbE 배포에 적합하고 확장성이 뛰어난 무중단 네트워킹 스위치입니다. 이 레이어 3 스위치 제품군은 까다로운 엔터프라이즈 및 비즈니스 인프라를 구동하는 데 필요한 10/40GbE 회선 속도 성능을 제공하는 한편, 간편하게 확장성을 관리하고 고밀도 10GbE를 운영할 수 있게 합니다.

PC8100 시리즈는 소규모 코어 및 집선 배포를 위한 고가용성과 중복성을 제공하여 네트워킹가 고밀도 10GbE 운영 및 엔터프라이즈 코어용 40GbE로 확장될 수 있게 합니다. 이 제품군은 단일한 논리적 단위로 관리 가능한 10GbE 또는 40GbE 포트로 고밀도 스택킹을 제공하고 전원 공급 장치, 팬 및 펌웨어 이미지로 중복성을 제공합니다. 간편한 관리를 위해 부팅 시 네트워크 주소 지정을 빠르게 처리하는 USB 신속 배포 기능 및 전체 스택에 걸쳐 간소화된 펌웨어 이미지 설치 기능도 포함하고 있습니다. 유연한 관리 옵션으로는 업계 표준 CLI, 내부 웹 서버를 사용한 원격 관리, Dell OpenManage Network Manager 등의 SNMP 기반 관리 응용프로그램에 대한 지원이 있습니다.

PC8100 제품군은 스토리지 네트워킹 지원 및 iSCSI 최적화를 제공합니다. Dell EqualLogic 어레이와의 연결을 간소화하기 위해 모든 8100 시리즈 스위치의 iSCSI 자동 구성 기능은 자동으로 어레이를 감지하고 최적 처리량에 맞춰 스위치를 구성합니다. 이 기능은 기본적으로 활성화되므로 간단하게 케이블만 연결하면 됩니다. Dell Compellent 어레이와의 연결 또한 단일 명령 구성을 통해 간편해집니다.

Dell은 모든 포트에 대해 능동 및 수동 포트 전력 소비량을 줄이기 위해 EEE 지원 포트를 시작으로 전원 코드부터 포트까지의 에너지를 절감하는데 목표를 두고 PowerConnect 8100 시리즈를 설계했습니다. 모든 모드에서 효율적으로 작동할 수 있는 중복 전원 공급 장치뿐 아니라 가변 속도 팬 또한 여러 개의 온도 모니터를 통해 환경에 맞춰 속도를 조정하여 소비량을 줄입니다. 끝으로, PC8100 제품군은 수명 주기 동안 적용되는 기본 하드웨어 서비스(수리 또는 교체)를 포함하는 Dell의 사용 기간 제한 보증을 제공합니다.

하드웨어 개요

이 절에서는 장치의 특성과 PowerConnect 81xx 스위치를 위한 모듈러 하드웨어 구성에 관한 정보를 제공합니다.

PowerConnect 81xx의 물리적 크기는 다음 두 가지 치수로 나타냅니다.

- 440 x 460 x 44 mm(W x D x H).
- 17.32 x 18.11 x 1.73 인치(W x D x H).

PowerConnect 81xx의 새시는 아래에 나열된 네 가지 유형의 솔루션과 640Gbps 및 320Gbps 스위칭 대역폭을 제공하도록 설계되어 있습니다.

- 1 PC8132F - 24 포트 SFP+ 10G + 40G/80G 확장 모듈
- 2 PC8164F - 48 포트 SFP+ 10G + 2 포트 40G QSFP + 40G/80G 확장 모듈
- 3 PC8132 - 24 포트 10GBaseT + 40G/80G 확장 모듈
- 4 PC8164 - 48 포트 10GBaseT + 2 포트 40G QSFP + 40G/80G 확장 모듈

모듈 슬롯은 세 가지 유형의 모듈, 즉

- SFP+
- 10G Base-T
- QSFP+

또한 시스템은 RS-232 인터페이스 RJ45 유형 콘솔 포트 및 OOB 관리를 위한 전용 이더넷 서비스 포트를 1개씩 제공합니다.

PC81xx에는 다음과 같은 기능이 있습니다.

- USB 포트 1개 지원
- 1G/10G 송수신기용 10Gbps 포트 48개
- 40G 송수신기용 고정 40Gbps QSFP 포트 2개
- SFP+, 10G Base-T 및 QSFP+ 모듈용 80Gbps 확장 슬롯 1개
- 대량 메모리를 포함하는 온보드 고성능 CPU 시스템.
XLP308H/256MB NOR Flash/2GB DDR III RAM
- 온도 모니터링 (TMP75)
- 소프트웨어 판독 가능한 열 모니터
- RTC 시간 클럭 지원
- 핫 플러깅 중복 전원 공급 장치
- 전원 관리를 위한 전류 모니터링
- 팬은 분리 가능하고 관리될 수 있습니다.
- 표준 1U 샤페이 높이

전면 패널

다음 이미지는 PowerConnect 81xx 전면 패널을 보여 줍니다.


그림 1. PowerConnect 81xx 전면 패널



QSFP+ 포트

전면 패널은 다음 구성요소를 포함합니다.

- 24/48 고정 10G Base-T 또는 SFP+ 포트
- 관리 포트
- USB 2.0 포트


 주: 시스템, 팬용 LED 디스플레이 및 전원 상태 표시등은 후면 패널에 있습니다.

4중 포트 SFP 업링크 고정 포트

PC8164 및 PC8164F 모델은 고정 QSFP 포트 2개를 갖추고 있으며, 각 포트는 다음과 같은 기능을 제공합니다.

- 퀴드 브레이크아웃/QBO 케이블 포함 10G 포트 4개
- CR4, SR4 및 LR4 송수신기를 지원하는 40G 포트 1개
- 전면 패널 포트 상태 LED

QSFP 연결이 스테킹에 사용될 수 있습니다. 스테킹은 최대 100M 거리까지 지원됩니다.

 주: QSFP 모듈은 PowerConnect 81xx 시리즈 스위치에 대해서만 사용될 수 있습니다.

확장 슬롯

80Gbps 확장 슬롯은 다음 모듈을 지원합니다.

- SFP+(10G 포트 4개)
- 10G Base-T(10G 포트 4개)
- QSFP+(40G 포트 2개 또는 10G 포트 8개로 구성 가능)

모듈은 별도로 판매합니다.

UART 인터페이스

UART(Universal Asynchronous Receiver Transmitter) 포트는 업계 표준 16550 UART 장치를 모델로 하여 만들어집니다. UART 포트는 직렬 통신 기능을 제공하여 해당 모델 또는 RS-232 프로토콜을 사용하는 다른 외부 장치와의 통신을 허용합니다. 직렬 포트는 스위치에 직접 연결되도록 하며, 제공된 직렬 케이블(RJ45 YOST to female DB-9 커넥터)을 통해 해당 포트에 연결된 콘솔 터미널에서 CLI를 액세스할 수 있게 합니다.

UART 포트는 별도로 구성 가능하며 1200보드에서 4M보드까지의 비동기 링크로 실행될 수 있습니다.

UART 인터페이스는 다음 옵션을 사용하여 프로그래밍될 수 있습니다.

- 5, 6, 7 또는 8 문자 비트
- 1, 1.5 또는 2 정지 비트
- 패리티 옵션
- 짝수/홀수 패리티(패리티 옵션이 활성화된 경우)
- 스티키 패리티(패리티 옵션이 활성화된 경우)

기본값은 9600 보드율, 8 데이터 비트, 패리티 없음, 1 정지 비트, 흐름 제어 없음입니다.

시스템 LED

시스템에는 PowerConnect 81xx 장치의 시스템, 온도, 진단, 팬, 스택 및 위치 표시기 상태를 나타내는 발광 다이오드(LED)가 있습니다. 표 1에 상태 LED에 대한 정의가 나와 있습니다.

표 1. 시스템의 LED 정의

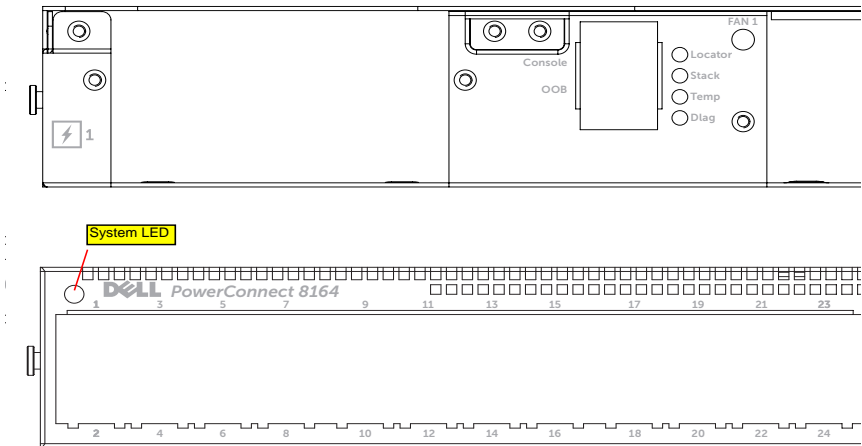
기능	상세 설명	참고 사항
시스템 LED	<ul style="list-style-type: none"> • 파란색으로 켜짐 - 정상 작동 • 파란색으로 깜박임 - 부팅 • 빨간색으로 켜짐 - 치명적 시스템 오류 • 빨간색으로 깜박임 - 치명적이지 않은 시스템 오류(팬 고장, 전원 공급 장치 고장) 	전면 패널에 있음
온도 LED	<ul style="list-style-type: none"> • 꺼짐 - 정상 온도 • 호박색으로 켜짐 - 온도 초과^a 	후면 패널에 있음
진단 LED	<ul style="list-style-type: none"> • 꺼짐 - 정상 작동 • 녹색으로 깜박임 - 진단 테스트 실행 중 	후면 패널에 있음
팬 LED	<ul style="list-style-type: none"> • 녹색으로 켜짐 - 팬에 전원이 들어오고 예상한 RPM으로 작동함 • 빨간색으로 켜짐 - 팬이 고장남 	후면 패널에 있음

표 1. 시스템의 LED 정의 (계속)

기능	상세 설명	참고 사항
스택 LED	<ul style="list-style-type: none"> 파란색으로 켜짐 - 스위 후면 패널에 있음 치가 스택킹 모드에 있음 녹색으로 켜짐 - 스위치가 스택킹 슬레이브 모드에 있음 꺼짐 - 스위치가 독립형 모드에 있음 	
위치 표시기 LED	<ul style="list-style-type: none"> 파란색으로 깜박임 - 위 후면 패널에 있음 치 표시기 기능이 활성화 화됨 파란색으로 켜짐 - 위치 표시기 기능이 비활성 화됨 	

a. 열 센서 시스템의 온도 임계값은 75° C입니다. 임계값을 초과하면 온도 LED 가 호박색으로 켜집니다.

그림 2. 포트 LED



설치

설치 현장 준비

단일 또는 여러 스위치를 설치하기 전에 선택한 설치 장소가 다음의 현장 요구사항을 충족하는지 확인하십시오.

- **여유 공간**—전면 및 후면에 작업자가 접근할 수 있는 적절한 여유 공간이 확보되어야 합니다. 케이블, 전원 연결 및 통풍을 위한 여유 공간도 확보하십시오.
- **케이블**—무선 송신기, 브로드캐스트 증폭기, 전선 및 형광 등기구와 같은 전기적 잡음의 원인이 될 수 있는 물체를 피해 케이블을 배선합니다.
- **주변 온도**—주변 스위치 작동 온도 범위는 10° -35° C(50° -95° F)입니다.



주: 최고 온도는 900m(2955ft) 이상의 높이에서 300m(985ft)당 1° C(1.8° F)씩 낮아 집니다.

- **상대 습도**—작동 상대 습도는 8%-85%(비응축)이고 시간당 습도의 최대 변화 폭은 10%입니다.

스위치 포장 풀기


패키지 내용물

스위치의 포장을 풀면서 다음 항목이 들어 있는지 확인하십시오.

- PowerConnect 스위치 1대
- RJ45-to-DB-9 암 케이블 1개
- 레일 키트 세트 2개(공구 필요 없음)
- PSU 2개(분리 포장됨)
- AC 전원 코드(국가/지역별)
- 시작 안내서
- 안전 및 규정 정보

- 보증 및 지원 정보
- 소프트웨어 라이선스 계약


포장 풀기 단계


 **주:** 스위치의 포장을 풀기 전에 포장용기를 살펴보고 파손된 흔적이 발견되면 즉시 알려주십시오.

- 1 깨끗하고 평평한 곳에 포장용기를 놓고 고정 끈을 모두 자르십시오.
- 2 포장 용기를 열거나 포장 용기 덮개를 제거하십시오.
- 3 포장 용기에서 조심스럽게 스위치를 꺼내 안전하고 깨끗한 곳에 놓으십시오.
- 4 포장을 모두 제거하십시오.
- 5 제품 및 부속품에 파손된 부분이 없는지 살펴보십시오.

스위치 랙 장착

스위치를 랙 선반에 놓거나 폭 19인치 EIA-310-E 준수 랙(4개 포스트, 2개 포스트 또는 나사로 조이는 방법) 안에 스위치를 직접 장착할 수 있습니다. Dell ReadyRails™ 시스템은 1U 전면 랙 및 2개 포스트 설치용으로 제공됩니다. ReadyRails 시스템은 별도로 포장되는 2개의 레일 어셈블리 및 스위치 측면에 부착되어 배송되는 2개의 레일을 포함합니다.

 **경고 :** 본 문서는 압축된 내용을 담고 있습니다. 안전, 환경 및 규정 정보 책자에 설명된 안전 지침을 읽은 후 시작하십시오.

 **주:** 본 문서의 그림은 특정 스위치를 나타내지 않습니다.

랙 장착 안전 고려 사항

- 랙 적재—랙을 과도하게 적재하거나 균형이 잡히지 않은 상태로 적재하면 선반 또는 랙이 고장나고, 이로 인해 장비 손상 및 부상이 발생할 수 있습니다. 적재를 시작하기 전에 영구적인 위치에 랙을 고정시킵니다. 랙의 아래쪽부터 구성요소를 장착한 후, 위쪽으로 이동하며 장착합니다. 랙 정격 적재 용량을 초과하지 마십시오.

- 전원 고려 사항—장치에 명시된 전원에만 연결합니다. 여러 가지 전기 구성요소가 랙에 설치되는 경우, 구성요소 전원 정격의 합계가 회로 용량을 초과하지 않도록 하십시오. 전원 및 연장 코드가 과부하되면 화재 및 충격 위험에 노출됩니다.
- 주변 온도 상승—단혀 있는 랙 어셈블리에 설치된 경우, 랙 환경의 작동 온도가 실내 주변 온도보다 높아질 수 있습니다. 스위치의 최대 주변 온도인 50도 C를 초과하지 않도록 주의하십시오.
- 공기 흐름 감소—장비의 안전한 작동에 필요한 필요한 공기 흐름 양이 유지되도록 랙에 장비를 설치합니다.
- 안정적인 접지—랙에 장착된 장비가 안정적으로 접지되도록 유지합니다. 분기 회로에 대한 직접 연결 이외의 다른 연결(예: 전원 스트립 사용)을 제공하는 데 특히 주의를 기울이십시오.
- 후면 패널이 아래쪽을 향한 상태로 제품이 장착되면 안 됩니다.

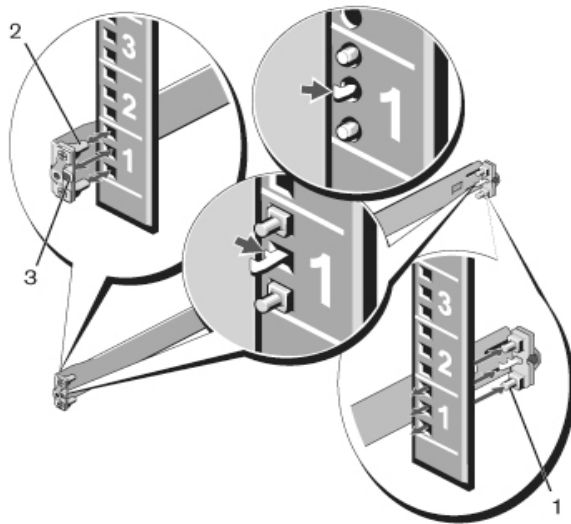
Dell ReadyRails 시스템 설치

ReadyRails 랙 장착 시스템은 스위치 설치를 위해 랙을 쉽게 구성할 수 있도록 제공됩니다. ReadyRails 시스템은 공구가 필요 없는 1U 방법 또는 공구를 사용하는 세 가지 1U 방법(2개 포스트 높이 일치 장착, 2개 포스트 가운데 장착 또는 4개 포스트 나사 조임) 중 하나를 사용하여 설치될 수 있습니다.

공구가 필요 없는 1U 구성(4개 포스트 사각 구멍 또는 나사로 조이지 않는 원형 구멍)

- 1 ReadyRails 플랜지 귀가 아래를 향한 상태에서 왼쪽과 오른쪽 수직 포스트 사이에 레일 하나를 놓습니다. 후면 플랜지 레일 페그를 맞춰 후면 수직 포스트 플랜지에 장착합니다. 그림 3에서 항목 1 및 발췌 이미지는 사각 및 나사 조임 없는 원형 구멍에서 페그가 어떻게 나타나는지 보여 줍니다.

그림 3. 공구가 필요 없는 1U 구성

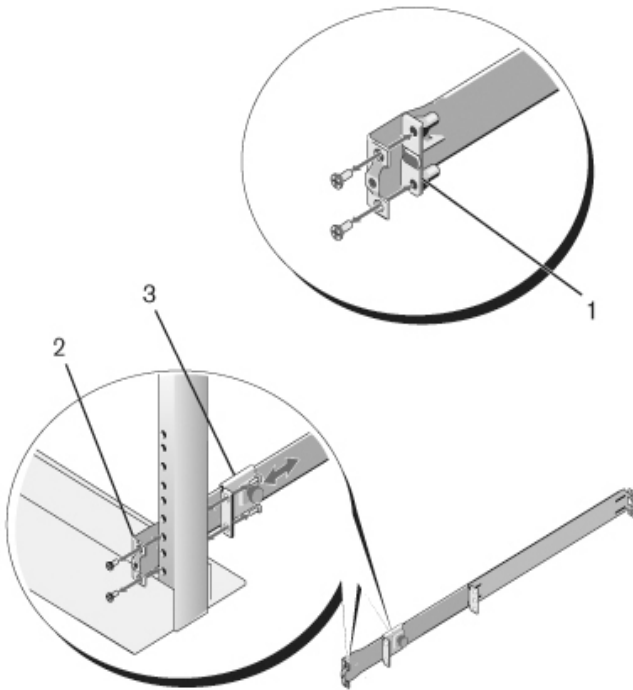


- 2 전면 플랜지 페그를 수직 포스트 전면의 구멍에 맞춰 장착합니다. 그림 3, 항목 2를 참조하십시오.
- 3 두 번째 레일에 대해 이 절차를 반복합니다.
- 4 각 레일을 분리하려면 각 플랜지 모서리에서 래치 분리 단추를 잡아 당겨 레일을 제거합니다. 그림 3, 항목 3을 참조하십시오.

2개 포스트 높이 맞춤 장착 구성

- 1 이 구성의 경우 각 ReadyRails 어셈블리의 전면에서 캐스팅이 분리되어야 합니다. 페이지 212의 그림 4, 항목 1을 참조하십시오. Torx 드라이버를 사용하여 전면의 각 플랜지 모서리(레일의 스위치 쪽에 있음)에서 나사 2개를 분리하고 각 캐스팅을 분리합니다. 나중에 랙에 필요할 수도 있으므로 캐스팅을 보관해 둡니다. 후면 플랜지 캐스팅을 분리할 필요는 없습니다.

그림 4. 2개 포스트 높이 맞춤 장착 구성



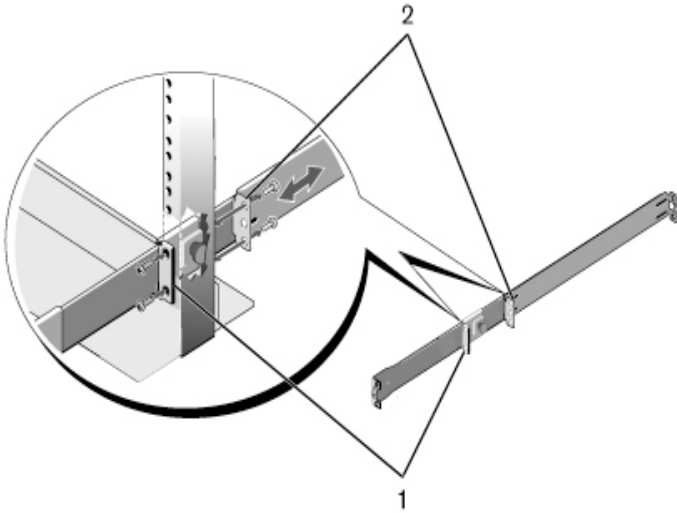
- 2 사용자가 준비한 나사 2개로 레일 하나를 전면 포스트 플랜지에 부착합니다. 그림 4, 항목 2를 참조하십시오.

- 3 플런저 브래킷을 수직 포스트를 향해 앞으로 밀고 사용자가 준비한 나사 2개로 플런저 브래킷을 포스트 플랜지에 고정시킵니다. 그림 4, 항목 3을 참조하십시오.
- 4 두 번째 레일에 대해 이 절차를 반복합니다.

2개 포스트 가운데 장착 구성

- 1 딸깍 소리가 나며 제자리에 고정될 때까지 플런저 브래킷을 뒤쪽으로 밀고 사용자가 준비한 나사 2개로 브래킷을 전면 포스트 플랜지에 고정시킵니다. 그림 5, 항목 1을 참조하십시오.

그림 5. 2개 포스트 가운데 장착 구성

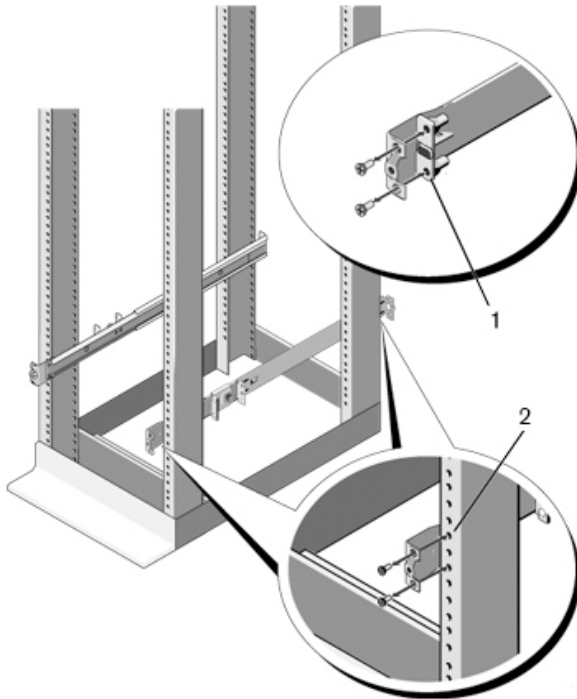


- 2 포스트를 향해 브래킷을 다시 밀고 사용자가 준비한 나사 2개로 브래킷을 포스트 플랜지에 고정시킵니다. 그림 5, 항목 2를 참조하십시오.
- 3 두 번째 레일에 대해 이 절차를 반복합니다.

4개 포스트 나사 조임 구성

- 1 이 구성의 경우, ReadyRails 어셈블리의 끝부분에서 플랜지 모서리 캐스팅이 분리되어야 합니다. Torx 드라이버를 사용하여 각 플랜지 모서리에서 나사 2개를 분리하고 각 캐스팅을 분리합니다. 페이지 214의 그림 6, 항목 1을 참조하십시오. 나중에 랙에 필요할 수도 있으므로 캐스팅을 보관해 둡니다.
- 2 각 레일에 대해 사용자가 준비한 나사 2개로 전면 및 후면 플랜지를 포스트 플랜지의 각 끝에 부착합니다. 페이지 214의 그림 6, 항목 2를 참조하십시오.

그림 6. 4개 포스트 나사 조임 구성



스위치 설치

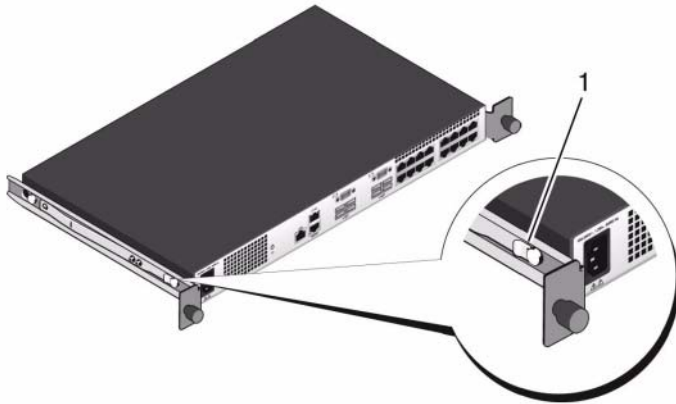
스위치는 1U 전면 랙 및 1U 2개 포트(높이 맞춤 및 가운데) 구성으로 장착될 수 있습니다. 다음은 1U 전면 랙 구성에 대한 예입니다. 1U 2개 포트(높이 맞춤 및 가운데) 구성에서는 4개 포트 구성과 동일한 방법으로 스위치를 레일 안에 밀어넣을 수 있습니다.

1U 전면 랙 설치

스위치에 부착된 레일은 구성되어야 합니다.

- 1 스위치 레일(내부 새시 구성요소)을 PC81xx 스위치에 부착합니다. 그림 7, 항목 1은 잠금 탭이 있는 전면 격리 애자를 자세히 보여 줍니다.

그림 7. 스위치 레일 부착

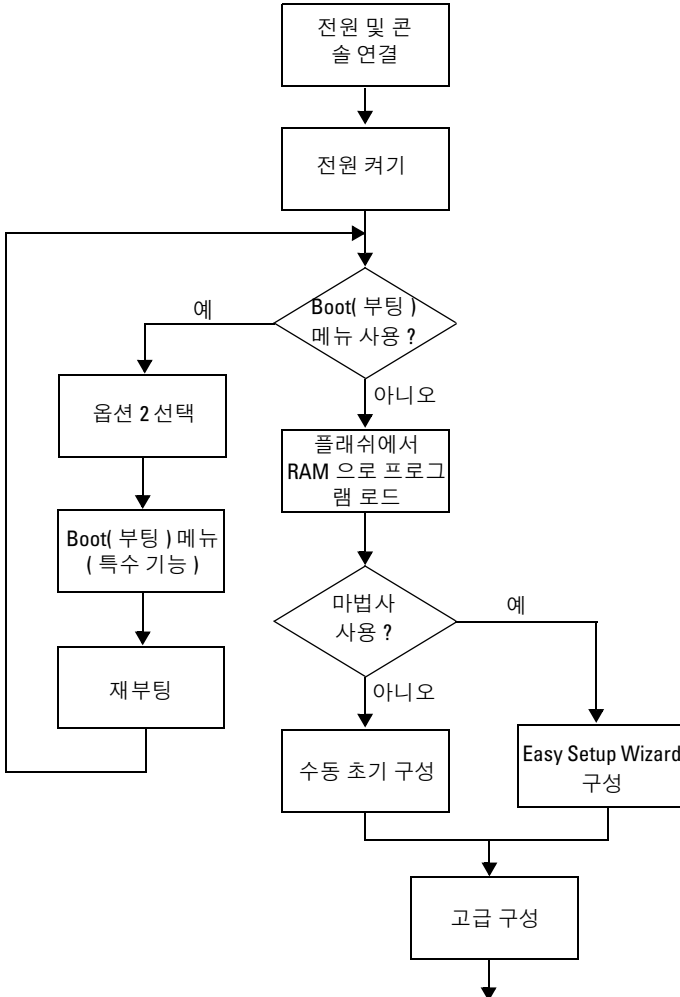


- 2 스위치 레일 2개가 설치된 후, 랙에 이미 장착되어 있는 Ready-Rails에 맞춰 놓고 랙의 전면과 일직선이 될 때까지 스위치를 밀니다. 완전 삽입까지 3인치 정도 남아 있는 지점에서 레일 잠금 기능이 작동하여 스위치가 랙에서 미끄러져 나가 떨어지지 않도록 합니다.

스위치 시작 및 구성

다음 흐름 차트는 스위치 포장을 풀고 스위치를 장착한 이후 초기 구성을 수행하기 위해 사용하는 단계를 개략적으로 보여 줍니다.

그림 8. 설치 및 구성 흐름 차트



스위치를 터미널에 연결

모든 외부 연결을 완료했다면 스위치 구성을 위해 터미널을 스위치에 연결하십시오.



주: 계속하기 전에 이 제품의 릴리즈 노트를 읽으십시오. Dell 지원 웹 사이트 (support.dell.com/support)에서 릴리즈 노트를 다운로드할 수 있습니다.



주: Dell 지원 웹 사이트(support.dell.com/support)에서 최신 사용 설명서를 다운로드하는 것이 좋습니다.

직렬 콘솔을 통해 스위치를 모니터링하고 구성하려면 스위치 후면 패널의 RJ45 콘솔 포트를 사용하여 VT100 터미널 또는 VT100 터미널 에뮬레이션 소프트웨어를 실행하는 컴퓨터에 연결하십시오. 콘솔 포트는 DTE(Data Terminal Equipment) 커넥터로 구현됩니다.

콘솔 포트를 사용하려면 다음 장비가 필요합니다.

- VT100 호환 터미널 또는 VT100 터미널 에뮬레이션 소프트웨어(예: Microsoft HyperTerminal)를 실행하고 직렬 포트가 장착된 데스크탑 또는 휴대용 컴퓨터
- 콘솔 포트에 연결되는 RJ45 커넥터, 터미널에 연결되는 DB-9 커넥터가 있는 직렬 케이블(제공됨)

터미널을 스위치 콘솔 포트에 연결하려면 다음 작업을 수행하십시오.

- 1 VT100 터미널 에뮬레이션 소프트웨어를 실행하는 터미널 또는 컴퓨터에 직렬 케이블의 DB-9 커넥터를 연결합니다.
- 2 터미널 에뮬레이션 소프트웨어를 다음과 같이 구성합니다.
 - a 콘솔에 연결할 적당한 직렬 포트 (예 : COM 1) 를 선택합니다 .
 - b 데이터 속도를 9600 보드로 설정합니다 .
 - c 데이터 형식을 8 데이터 비트 , 1 정지 비트 , 패리티 없음으로 설정합니다 .
 - d 흐름 제어를 없음으로 설정합니다 .
 - e 터미널 에뮬레이션 모드를 VT100 으로 설정합니다 .
 - f 기능 키 , 화살표 키 및 Ctrl 키용 터미널 키를 선택합니다 . 이 설정은 Microsoft Windows 키가 아니라 터미널 키에 대한 설정이어야 합니다 .



주 : Microsoft Windows 2000 에서 하이퍼터미널을 사용하는 경우 Windows 2000 서비스 팩 2 이상이 설치되었는지 확인하십시오 . Windows 2000 서비스 팩 2 를 설치하면 하이퍼터미널의 VT100 에뮬레이션에서 화살표 키가 올바르게 작동합니다 . Windows 2000 서비스 팩에 대한 자세한 내용을 보려면 microsoft.com 을 방문하십시오 .

- 3 케이블의 RJ45 커넥터를 스위치 뒤쪽에 있는 PowerConnect 81xx RJ45 콘솔 포트에 바로 연결합니다.

스위치 부팅

전원을 켜면 스위치에서 POST(Power-In Self-Test)가 수행됩니다. POST는 스위치가 시작될 때마다 실행되어 부팅이 완료되기 전에 하드웨어 구성요소를 검사하여 스위치가 작동 가능한지 여부를 확인합니다. POST에서 중요한 문제가 발견되면 프로그램 흐름이 중지됩니다. POST를 통과하면 유효한 펌웨어가 RAM에 로드됩니다. POST 메시지가 터미널에 표시되어 테스트 성공 여부를 알려줍니다. 부팅 프로세스는 약 60초가 소요됩니다.


로컬 터미널이 연결되어 있으면 POST의 첫 번째 부분이 완료된 후 Boot(부팅) 메뉴를 호출할 수 있습니다. Boot(부팅) 메뉴에서는 출하시 기본값으로 시스템 재설정, 백업 이미지 활성화 또는 암호 복구 같은 구성 작업을 수행할 수 있습니다. Boot(부팅) 메뉴 기능에 대한 자세한 내용은 *CLI 참조 안내서*를 참조하십시오.

초기 구성 수행

다음의 전체 하에 초기 구성 절차가 이루어지는 것으로 가정합니다.

- PowerConnect 스위치는 이전에 구성된 적이 없으며 스위치를 받았을 때와 동일한 상태입니다.
- PowerConnect 스위치가 정상적으로 부팅되었습니다.
- 콘솔 연결이 설정되었고 Dell Easy Setup Wizard 프롬프트가 VT100 터미널 또는 동등한 장치의 화면에 표시됩니다.

초기 스위치 구성은 콘솔 포트를 통해 수행됩니다. 초기 구성 후에는 이미 연결된 콘솔 포트에서 또는 원격 연결을 통해 스위치를 관리할 수 있습니다.


 **주:** 스위치에는 기본 사용자 이름, 암호 또는 IP 주소가 구성되어 있지 않습니다. 스위치의 초기 구성을 설정하기 전에 네트워크 관리자에게 다음 정보를 문의하십시오.

- 장치 관리를 위한 OOB(대역외) 인터페이스에 할당할 IP 주소
- OOB 인터페이스의 IP 서브넷 마스크
- OOB 인터페이스 기본 게이트웨이의 IP 주소

이러한 설정은 텔넷(텔넷 클라이언트)이나 HTTP(웹 브라우저)를 통해 스위치를 원격 관리하도록 허용하는 데 필요합니다.

초기 구성 절차

Dell Easy Setup Wizard를 사용하거나 CLI를 사용하여 초기 구성을 수행할 수 있습니다. Dell Easy Setup Wizard는 스위치 구성 파일이 비어 있으면 자동으로 시작됩니다. 언제든지 [Ctrl+z]를 눌러 마법사를 종료할 수 있지만, 이 경우 지정된 구성 설정이 모두 제거되고 스위치에서 기본값이 사용됩니다.


 **주:** 60초 이내에 Easy Setup Wizard를 실행하지 않거나 초기 Easy Setup Wizard 프롬프트에 응답하지 않으면 스위치가 CLI 모드로 전환됩니다.

CLI를 사용하여 초기 구성을 수행하는 방법에 대한 자세한 내용은 *CLI 참조 안내서*를 참조하십시오. 이 *시작 안내서*는 Easy Setup Wizard를 사용하여 초기 스위치 구성을 수행하는 방법을 설명합니다. 이 마법사를 이용하여 스위치에 대해 다음 구성을 설정할 수 있습니다.


- 특별 권한을 갖는 초기 사용자 계정을 유효한 암호와 함께 설정합니다. 마법사는 설정 과정 동안 특별 권한을 갖는 사용자 계정 하나를 구성합니다.
- CLI 로그인 및 HTTP 액세스에서 로컬 인증 설정만 사용할 수 있게 합니다.
- OOB 인터페이스에 대해 IP 주소를 설정합니다.
- 해당 IP 주소에서 SNMP 관리자가 사용할 SNMP 커뮤니티 문자열을 설정합니다. 스위치에 SNMP 관리를 사용하지 않을 경우에는 이 단계를 건너뛸 수 있습니다.

세션 예

아래에서는 Easy Setup Wizard 세션을 설명합니다. 예제 세션에서는 다음 값들을 사용합니다.

 **주:** 스위치를 상자에서 꺼내거나 스위치가 출하시 기본값으로 설정되어 있으면 사용자 이름, 암호 또는 ip 주소가 없습니다.

- SNMP는 활성화되지 않습니다.
- 기본 사용자 이름인 **root**를 그대로 사용하고 암호로 **admin123**이 입력됩니다. 암호 입력 시 마법사는 암호를 표시하지 않습니다.
- OOB 관리 인터페이스는 IP 주소 할당에 **192.168.2.1**을 사용합니다.

 **주:** 아래 예에서 선택 가능한 사용자 옵션 또는 기본값은 []로 표시됩니다. 아무런 옵션을 정의하지 않고 <Enter> 키를 누르면 기본값이 사용됩니다. 도움말 텍스트는 괄호 안에 표시됩니다.

다음 예에는 위에 나열된 입력 값을 사용하여 **Dell Easy Setup Wizard** 예제 세션을 실행하는 것과 관련된 일련의 프롬프트와 응답이 포함되어 있습니다.

스위치가 POST를 완료하고 부팅되면 다음 텍스트가 나타납니다.

```
(Unit 1 - Waiting to select management unit)>
```

```
Applying Global configuration, please wait ...
```

```
Welcome to Dell Easy Setup Wizard
```

```
The Setup Wizard guides you through the initial switch configuration, and gets you up and running as quickly as possible. You can skip the setup wizard, and enter CLI mode to manually configure the switch. You must respond to the next question to run the setup wizard within 60 seconds, otherwise the system will continue with normal operation using the default system configuration. Note: You can exit the setup wizard at any point by entering [ctrl+z].
```

```
Would you like to run the setup wizard (you must answer this question within 60 seconds)? [Y/N] y
```

First:

Do you want to select the operational mode as Simple Mode?
[Y/N] **y**

Step 1:

The system is not setup for SNMP management by default. To manage the switch using SNMP (required for Dell Network Manager) you can

- . Set up the initial SNMP version 2 account now.
- . Return later and setup other SNMP accounts. (For more information on setting up an SNMP version 1 or 3 account, see the user documentation).

Would you like to setup the SNMP management interface now?
[Y/N] **n**

Step 2:

Now we need to setup your initial privilege (Level 15) user account. This account is used to login to the CLI and Web interface. You may setup other accounts and change privilege levels later. For more information on setting up user accounts and changing privilege levels, see the user documentation.

To setup a user account:

Please enter the user name. [root]:

Please enter the user password:

Please reenter the user password:

Step 3:

Next, IP addresses are setup on the OOB (Out-Of-Band) Interface and/or the VLAN1 routing interface.

You can use these IP addresses to access the CLI, Web interface, or SNMP interface of the switch.

To access the switch through any Management Interface you can

- . Setup the IP address for the Management Interface.

- . Setup the default gateway if IP address is manually configured on both routing and OOB interface.

Would you like to setup the Out-Of-Band interface now? [Y/N]

y

Please enter the IP address of the device (A.B.C.D) or enter "DHCP" (without the quotes) to automatically request an IP address from the network DHCP server. [192.168.2.1]:

Please enter the IP subnet mask (A.B.C.D or /nn).
[255.255.255.0]:

This is the configuration information that has been collected:

Operational Mode = Simple

User Account setup = root

Password = *****

Out-of-band IP address = 192.168.2.1 255.255.255.0

Final Step:

If the information is correct, please enter (Y) to save the configuration, and copy the settings to the start-up configuration file. If the information is incorrect, enter (N) to discard the configuration and restart the wizard:

[Y/N] **y**

Thank you for using the Dell Easy Set up Wizard. You will now enter CLI mode.

Applying Interface configuration, please wait ...

console>

다음 단계

이 절에 설명된 초기 구성을 완료한 후, 대역내 원격 관리를 위해 전면 패널 스위치 포트 중 하나를 -프로덕션 네트워크에 연결할 수 있습니다.

OOB 관리 인터페이스 IP 주소에 대해 DHCP를 지정한 경우, 이 인터페이스는 네트워크에 있는 DHCP 서버로부터 IP 주소를 받습니다. 동적으로 할당된 IP 주소를 찾으려면 콘솔 포트 연결을 사용하여 다음 명령을 실행합니다.

```
show ip interface out-of-band.
```

Dell OpenManage 스위치 관리자 인터페이스에 액세스하려면 웹 브라우저의 주소 필드에 OOB 관리 인터페이스 IP 주소를 입력합니다. 원격 관리를 위해 CLI에 액세스하려면 Telnet 또는 SSH 클라이언트에 OOB 관리 인터페이스 IP 주소를 입력합니다. 또는 콘솔 포트를 스위치에 대한 로컬 CLI 액세스를 위해 계속 사용할 수도 있습니다.

PowerConnect 81xx 스위치는 VLAN, 802.1X, RADIUS 및 TACACS+ 같은 기본 스위칭 기능을 지원합니다. 간단 모드에서 지원되는 기능에 대한 자세한 내용은 *간단 스위치 모드: Port Aggregator(포트 결합자) 기능 백서*를 참조하십시오.

일반 모드에서 작동하도록 스위치가 구성된 경우, 스위치는 스페닝 트리 프로토콜 같은 기능 및 동적 라우팅과 멀티캐스트 같은 고급 Layer 3 기능도 지원할 수 있습니다. 웹 기반 관리 인터페이스 또는 CLI를 사용하여 네트워크에 필요한 기능을 구성하십시오. 스위치 기능을 구성하는 방법에 대한 자세한 내용은 *사용자 구성 안내서* 또는 *CLI 참조 안내서*를 참조하십시오. 이러한 안내서는 지원 사이트인 support.dell.com/support에서 제공됩니다.

Comutador Dell
PowerConnect Série 81xx
Guia de Primeiros Passos

Modelo regulatório: PC8132, PC8132F,
PC8164, PC8164F



Notas



NOTA: Uma NOTA fornece informações importantes que o ajudam a utilizar melhor o computador.



AVISO: Um AVISO informa sobre danos potenciais ao hardware ou perda de dados e indica como evitar o problema.

**As informações contidas nesta publicação estão sujeitas a alterações sem aviso prévio.
© 2012 Dell Inc. Todos os direitos reservados.**

Fica terminantemente proibida a reprodução deste material por quaisquer meios sem a permissão por escrito da Dell Inc.

Marcas comerciais utilizadas neste texto: Dell™, o logotipo da DELL, PowerConnect™, OpenManage™, ReadyRails™ e Torx™ são marcas comerciais da Dell Inc. Microsoft® e Windows® são marcas registradas da Microsoft Corporation nos Estados Unidos e/ou outros países.

Outras marcas e nomes comerciais podem ser mencionados nesta publicação em referência às entidades proprietárias das marcas e nomes ou seus produtos. A Dell Inc. renuncia qualquer interesse proprietário em marcas e nomes comerciais que não sejam de sua propriedade.

Modelo regulatório PC8132, PC8132F, PC8164, PC8164F

Fevereiro 2012 N/P JHCTM Rev. A00

Sumário

1	Introdução	229
	Recursos	229
2	Visão geral do hardware	230
	Painel frontal	232
	Portas fixas Quad-Port SFP ascendente	232
	Slot de expansão	233
	Interface UART	233
	LEDs do sistema	234
3	Instalação	236
	Preparação do local	236
	Remoção do comutador da embalagem	236
	Conteúdo da embalagem	236
	Etapas de desempacotamento	237
	Montagem do comutador em rack	237
	Considerações de segurança sobre montagem em rack	237
	Instalação do Sistema Dell ReadyRails	238
	Instalação do comutador	243

4	Inicialização e configuração do comutador	244
	Conexão do comutador ao terminal	245
	Inicialização do comutador	246
	Realização da configuração inicial	247
	Procedimento de configuração inicial	247
	Sessão de exemplo	248
	Próximas etapas	253

Introdução

Este documento fornece informações básicas sobre a série de comutadores Dell PowerConnect 81xx, PC8132, PC8132F, PC8164, PC8164F, incluindo como instalar um comutador e realizar a configuração inicial. Para obter mais informações sobre como configurar e monitorar os recursos do comutador, além das atualizações mais recentes em documentação e firmware, consulte o *Guia de configuração do usuário* disponível no site de suporte da Dell no endereço support.dell.com/support.

Este documento contém as seguintes seções:

- Visão geral do hardware
- Instalação
- Inicialização e configuração do comutador

Recursos

Os comutadores Comutador PowerConnect da série 8100 são comutadores de rede diretos e altamente escaláveis para instalações de 10GbE em agregação de campus e comutação principal. A família de comutadores de Camada 3 oferecem a velocidade de 10/40GbE necessária para suprir a demanda de energia de infraestruturas comerciais e empresariais, ao mesmo tempo em que permite o gerenciamento simplificado de operações de 10 GbE de alta densidade.

A série PC8100 fornece alta disponibilidade e redundância para instalações de agregação e de pequenos núcleos, ajudando no aprimoramento da rede para operações de 10 GbE de alta densidade e 40 GbE para núcleos empresariais. A família oferece empilhamento de alta densidade com portas 10GbE e 40GbE, que podem ser gerenciadas como uma unidade lógica única, além de redundância com fontes de alimentação, ventiladores e imagens de firmware. O gerenciamento simplificado também inclui o recurso de Instalação Rápida USB para expedir o endereçamento de rede na inicialização, além de instalações de imagem de firmware aprimorada por toda o empilhamento. Dentre as opções de gerenciamentos flexível estão: CLI padrão de indústria, gerenciamento remoto usando o servidor web incorporado, e suporte à aplicativos de gerenciamento com base SNMP incluindo o gerenciador de redes Dell OpenManage.

A família PC8100 oferece suporte a armazenamento de rede e otimização iSCSI. Para simplificar a conectividade com as cadeias de caracteres do Dell EqualLogic, o recurso de configuração automática iSCSI de todos os comutadores da série 8100 detecte automaticamente as cadeias, otimizando a taxa de transferência do comutador. Por padrão, esse recurso é ativado, simplificando o processo a uma simples conexão de cabo. A conectividade com as cadeias de caracteres Dell também é simplificada com uma configuração de comando único.

A Dell projetou os comutadores da série 8100 para consumirem menos energia, desde o cabo de energia às portas, começando pelas portas EEE que reduzem o consumo ativo e passivo de energia de todas as portas. Além das fontes de alimentação redundantes que operam de forma eficiente em todos os modos, os ventiladores de velocidades variáveis reduzem o consumo ao ajustarem as velocidades de acordo com o ambiente através dos diversos monitores de temperatura. Por fim, a família PC8100 inclui a Garantia Limitada Vitalícia da Dell, com Serviços Básicos de Hardware (reparos ou substituições) para toda a vida.

Visão geral do hardware

Esta seção contém informações sobre características do dispositivo e configurações modulares de hardware do Comutador PowerConnect 81xx.

O Comutador PowerConnect 81xx tem as seguintes dimensões físicas:

- 440 x 460 x 44 mm (L x P x A).
- 17,32 x 18,11 x 1,73 pol (L x P x A).

O Comutador PowerConnect 81xx possui um design de chassi que apresenta quatro tipos de soluções e largura de rede de 640 Gbps e 320 Gbps, como listado abaixo:

- 1 PC8132F - 24 portas SFP+ 10G + módulo de extensão 40G/80G
- 2 PC8164F - 48 portas SFP+ 10G + 2 portas 40G QSFP + módulo de extensão 40G/80G
- 3 PC8132 - 24 portas 10GBaseT + módulo de extensão 40G/80G
- 4 PC8164 - 48 portas 10GBaseT + 2 portas 40G QSFP + módulo de extensão 40G/80G

As entradas do módulo aceitam três tipos de módulos:

- SFP+
- 10G Base-T
- QSFP+

O sistema também possui uma porta de console do tipo RJ45 para interface RS-232 e uma porta de serviço Ethernet dedicada para funções de gerenciamento OOB.

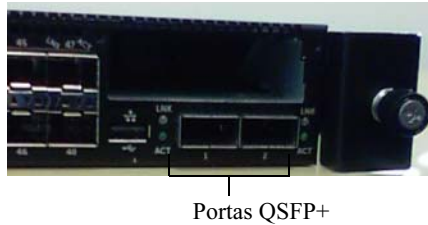
O PC81xx possui os seguintes recursos:

- Suporte a uma porta USB
- Quarenta e oito portas de 10Gbps para transceptores de 1G/10G
- Duas portas fixas de 40 Gbps QSFP para transceptores de 40G
- Um slot de expansão de 80 Gbps para módulos SFP+, 10G Base-T e QSFP+
- CPU de alto desempenho on-board com ampla memória XLP308H/256 MB NOR Flash/2GB DDR III RAM
- Monitoramento de temperatura (TMP75)
- Software para leitura do monitor térmico
- Suporte ao relógio RTC
- Fonte de alimentação redundante com tecnologia Hot-Plug
- Monitoramento da corrente para gerenciamento da energia
- O ventilador pode ser removido e gerenciado
- Chassi alto padrão 1U

Painel frontal


As imagens a seguir mostram o painel frontal do Comutador PowerConnect 81xx:

Figura 1. Painel frontal do Comutador PowerConnect 81xx



O painel frontal possui:

- Portas SFP+ ou 24/48 fixo 10G Base-T
- Porta de gerenciamento
- Porta USB 2.0


 **NOTA:** LEDs que indicam o status da energia, do ventilador e do sistema no painel traseiro.

Portas fixas Quad-Port SFP ascendente

Os modelos PC8164 e PC8164F possuem duas portas fixas QSFP, cada uma oferecendo os seguintes recursos:

- Quatro portas 10GB com cabo QBO/quatro saídas
- Uma porta 40G compatível com transceptores CR4, SR4 e LR4
- LEDs de status da porta do painel frontal

As conexões QSFP podem ser usadas para empilhamento. É possível realizar empilhamento a até 100m de distância.

 **NOTA:** Os módulos QSFP só podem ser usados com comutadores da série Comutador PowerConnect 81xx.

Slot de expansão

O slot de expansão de 80 Gbps é compatível com os seguintes módulos:

- SFP+ (quatro portas 10G)
- 10G Base-T (quatro portas 10G)
- QSFP+ (pode ser configurado como duas portas 40G ou até 8 portas 10G)

Os módulos são vendidos separadamente.

Interface UART

A porta UART (Transmissor Receptor Assíncrono Universal) é projetada de acordo com os dispositivos industriais com padrão 16550 UART. A porta UART oferece recursos de comunicação em série, que permitem a comunicação com o outro modelo ou outros dispositivos externos através do protocolo RS-232. Uma porta serial oferece uma conexão direta com o comutador e permite que você acesse a CLI de um terminal do console conectado à porta através do cabo serial fornecido (com RJ45 YOST para conectores DB-9 fêmea).

A porta UART pode ser configurada individualmente, além de funcionar como um link assíncrono de 1200 a 4M baud.

A interface UART pode ser programada com as seguintes opções:

- 5, 6, 7 ou 8 bits de caractere
- 1, 1,5 ou 2 bits de parada
- Opção de paridade
- Paridade par/ímpar (se a opção de paridade estiver ativa)
- Paridade persistente (se a opção de paridade estiver ativa)

Os padrões são taxa de 9600 baud, 8 bits de dados, sem paridade, 1 bit de parada, sem controle de fluxo.

LEDs do sistema

O sistema possui diodos emissores de luz (LEDs) que indicam o status do sistema, temperatura, diagnóstico, ventilador, empilhamento e localizador da unidade Comutador PowerConnect 81xx. O Tabela 1 possui as definições de LED:

Tabela 1. Definições de LED para o sistema

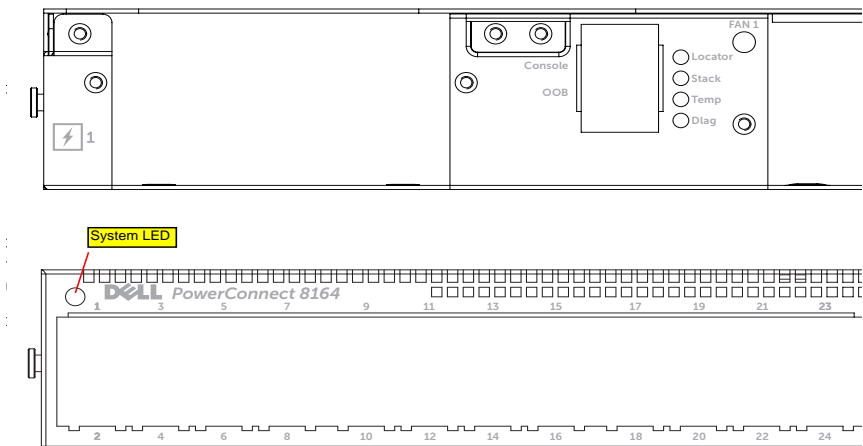
Recurso	Descrição detalhada	Comentário
LED do sistema	<ul style="list-style-type: none">• Azul contínuo - Operação normal• Azul piscante - Inicializando• Vermelho contínuo - Erro crítico do sistema• Vermelho piscante - Erro não crítico do sistema (falha no ventilador, na fonte de alimentação)	No painel frontal
LED da temperatura	<ul style="list-style-type: none">• Desligado - Temperatura normal• Amarelo fixo - Superaquecimento^a	No painel traseiro
LED de diagnóstico	<ul style="list-style-type: none">• Desligado - Funcionamento normal• Verde piscante - Teste diagnóstico em andamento	No painel traseiro
LED do ventilador	<ul style="list-style-type: none">• Verde contínuo - Ventilador ligado e dentro das RPM esperadas• Vermelho contínuo - Falha no ventilador	No painel traseiro

Tabela 1. Definições de LED para o sistema (continuação)

Recurso	Descrição detalhada	Comentário
LED de empilhamento	<ul style="list-style-type: none"> • Azul contínuo - Comutador no modo de empilhamento • Verde contínuo - Comutador no modo de empilhamento secundário • Desligado - Comutador no modo independente 	No painel traseiro
LED localizador	<ul style="list-style-type: none"> • Azul piscante - Função localizadora ativada • Azul contínuo - Função localizadora desativada 	No painel traseiro

a. O limite de temperatura do sistema de sensores térmicos é de 75°C. Quando este limite é ultrapassado, o LED da temperatura se torna amarelo.

Figura 2. LEDs das portas



Instalação

Preparação do local

Antes de instalar o(s) comutador(es), certifique-se de que o local de instalação escolhido atenda às seguintes exigências:

- **Espaço** – verifique se o espaço próximo aos painéis frontal e posterior é adequado para que o operador possa ter acesso ao equipamento. Reserve um espaço livre para cabos, conexões de energia e ventilação.
- **Cabeamento** – o cabeamento deve ser guiado de forma a evitar fontes de ruídos elétricos, como transmissores de rádio, amplificadores de difusão, linhas de força e instalações com iluminação fluorescente.
- **Temperatura ambiente** — a temperatura do ambiente de funcionamento do comutador deve variar entre 10° a 35° C (50° a 95° F).



NOTA: Diminua a temperatura máxima em 1° C (1,8° F) para cada 300 m (985 pés) acima de 900 m (2955 pés).

- **Umidade relativa** — a umidade relativa de funcionamento é de 8% a 85% (sem condensação) com uma gradação de umidade máxima de 10% por hora.

Remoção do comutador da embalagem

Conteúdo da embalagem

Ao retirar cada comutador da respectiva embalagem, certifique-se de que os seguintes itens foram fornecidos:

- Um comutador PowerConnect.
- Um cabo fêmea RJ45-to-DB-9
- Dois conjuntos de kits de calha (sem necessidade de ferramentas)
- Dois PSUs (fornecidos separadamente)
- Dois cabos de energia CA (específicos do país/região)
- *Guia de Primeiros Passos*
- *Informações sobre segurança e regulamentação*

- *Informações sobre garantia e suporte*
- *Contrato de licença de software*

Etapas de desempacotamento



NOTA: Examine a embalagem antes de retirar o computador. Informe imediatamente o fabricante caso observe sinais de danos.

- 1 Coloque a embalagem em uma superfície plana e limpa e corte todas as tiras que a envolvem.
- 2 Abra a embalagem ou retire a parte superior do invólucro.
- 3 Retire cuidadosamente o computador e coloque-o em uma superfície limpa e segura.
- 4 Retire todo o material de embalagem.
- 5 Verifique se há danos no produto e nos acessórios.

Montagem do computador em rack

É possível montar o computador na prateleira do rack ou diretamente em um rack que siga os padrões EIA-310-E de 19 pol de largura (métodos quatro hastes, duas hastes ou rosqueado). O sistema Dell ReadyRails™ é fornecido para instalações de rack dianteiro 1U e de duas hastes. O sistema ReadyRails possui dois conjuntos de calha embalados separadamente e duas calhas que são presas às laterais do computador.



ADVERTÊNCIA: Esta é uma referência resumida. Leia as instruções de segurança no livreto de informações de Segurança, Ambiente e Regulamentações antes de começar.



NOTA: As ilustrações neste documento são representadas por um computador específico.

Considerações de segurança sobre montagem em rack

- Carga do rack - A sobrecarga, ou a má distribuição da mesma, pode causar problemas ao rack ou prateleira danificando o equipamento e até mesmo outras pessoas. Estabilize os racks em um local permanente, antes de aplicar carga sobre eles. Coloque os componentes no rack de baixo para cima. Não exceda o limite de carga do rack.

- Considerações sobre energia - Conecte apenas à fonte de alimentação especificada na unidade. Caso possua diversos componentes elétricos instalados em um rack, certifique-se de que o total das taxas de energia de todos não exceda as capacidades do circuito. Fontes de alimentação sobrecarregadas e extensões podem causar choques elétricos e incêndios.
- Temperatura elevada do ambiente - Se instalado em um rack fechado, a temperatura de funcionamento do ambiente do rack pode ser maior que a da sala. Tome cuidado para que a temperatura do computador não exceda o limite de temperatura ambiente de 50° C.
- Fluxo de ar reduzido - Instale o equipamento no rack para que a quantidade de fluxo de ar necessária para o funcionamento seguro do equipamento não seja comprometida.
- Aterramento confiável - Assegure-se de que o aterramento do equipamento montado no rack esteja seguro. Preste muita atenção nas conexões da fonte que não sejam conexões diretas ao circuito de ramificação. Por exemplo: uso de filtros de linha.
- O produto não deve ser montado com o painel traseiro virado para baixo.

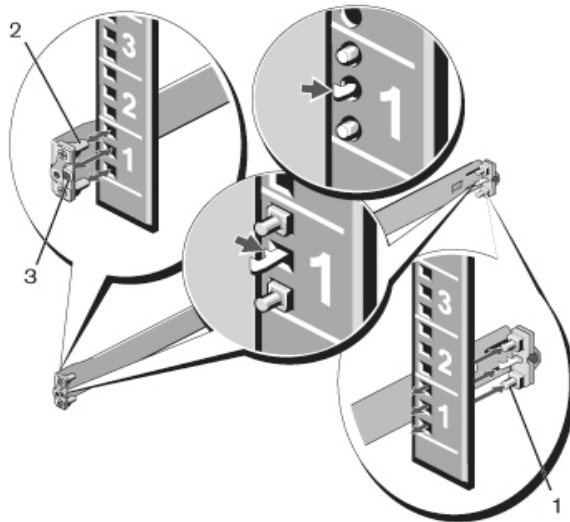
Instalação do Sistema Dell ReadyRails

O sistema de montagem em rack ReadyRails é fornecido para configurar de maneira fácil seu rack para a instalação do comutador. O sistema ReadyRails pode ser instalado usando o método sem ferramentas 1U ou um dos três possíveis métodos com ferramenta 1U (duas hastes de encastramento, duas hastes centrais, ou quatro hastes rosqueado).

Configuração sem ferramenta 1U (Furo quadrado de quatro hastes ou furo redondo sem rosca)

- 1 Com as orelhas do flange ReadyRails virada para baixo, coloque uma calha entre as hastes verticais direita e esquerda. Alinhe e assente os pinos da calha do flange traseiro no flange da haste vertical traseira. Na Figura 3, o item 1 e suas extrações ilustram como os pinos aparecem tanto nos furos quadrados quanto nos redondos sem rosca.

Figura 3. Configuração sem ferramenta 1U

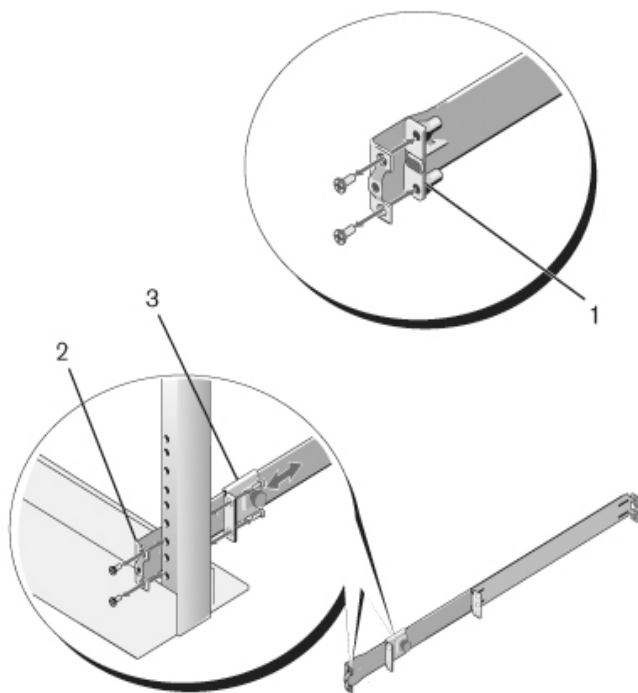


- 2 Alinhe e assente os pinos do flange dianteiro nos furos do lado dianteiro da haste vertical. Consulte Figura 3, item 2.
- 3 Repita este procedimento para a segunda calha.
- 4 Para remover cada calha, pressione o botão de liberação do trinco nas orelhas do flange e solte as calhas. Consulte Figura 3, item 3.

Configuração de duas hastes de encastramento

- 1 Para esta configuração, os moldes devem ser removidos do lado dianteiro de cada conjunto ReadyRails. Consulte Figura 4, item 1 na página 240. Use uma chave Torx para remover os dois parafusos de cada orelha do flange dianteiro (no lado do comutador da calha) e remova cada molde. Guarde os moldes para futuras atividades no rack. Não é necessário remover os moldes do flange traseiro.

Figura 4. Configuração de duas hastes de encastramento



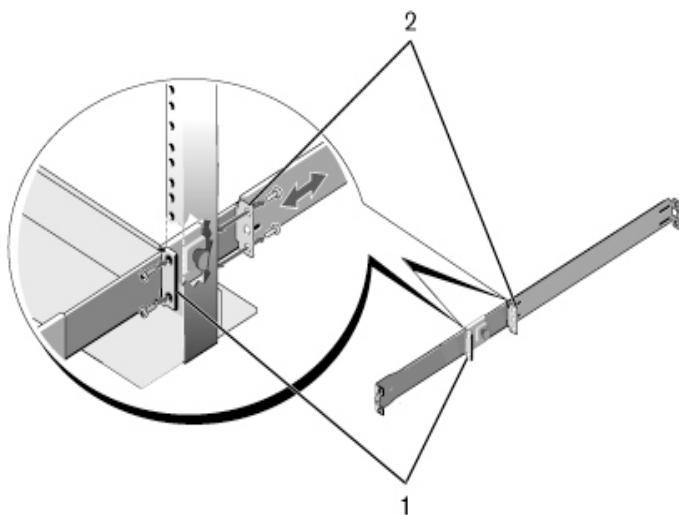
- 2 Prenda uma calha ao flange da haste dianteira com os dois parafusos fornecidos. Consulte Figura 4, item 2.

- 3 Deslize o suporte do êmbolo para frente, contra a haste vertical e prenda-o ao flange da haste com os dois parafusos fornecidos. Consulte Figura 4, item 3.
- 4 Repita este procedimento para a segunda calha.

Configuração de duas hastes centrais

- 1 Deslize o suporte do êmbolo para trás, até que se encaixe, e prenda o suporte ao flange da haste dianteira com os dois parafusos fornecidos. Consulte Figura 5, item 1.

Figura 5. Configuração de duas hastes centrais

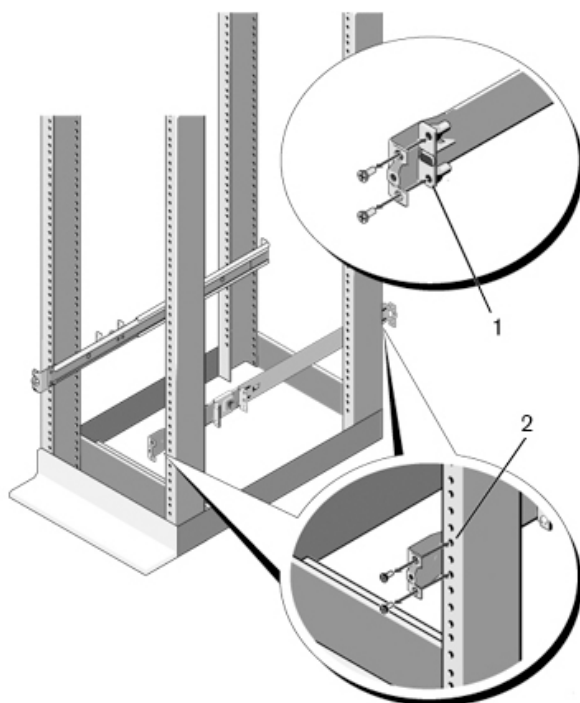


- 2 Deslize o suporte traseiro em direção à haste e prenda-o no flange da haste com os dois parafusos fornecidos. Consulte Figura 5, item 2.
- 3 Repita este procedimento para a segunda calha.

Configuração de quatro hastes rosqueadas

- 1 Para esta configuração, os moldes da orelha do flange precisam ser removidos de cada extremidade dos conjuntos ReadyRails. Use uma chave Torx para remover os dois parafusos de cada orelha do flange e remova cada molde. Consulte Figura 6, item 1 na página 242. Guarde os moldes para futuras atividades no rack.
- 2 Para cada calha, prenda os flanges dianteiro e traseiro nos flanges de haste em cada extremidade com os parafusos fornecidos. Consulte Figura 6, item 2 na página 242.

Figura 6. Configuração de quatro hastes rosqueadas



Instalação do comutador

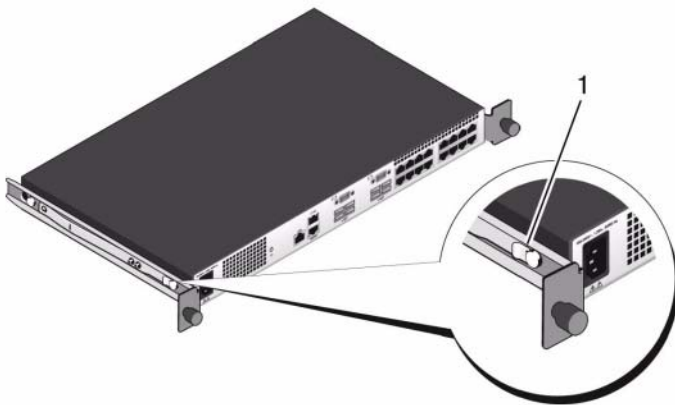
O comutador pode ser montado no rack dianteiro 1U e nas configurações de duas hastes 1U (encastramento e central). A seguir, um exemplo de configuração de rack dianteiro 1U. Nas configurações de duas hastes 1U (encastramento e central), é possível deslizar o comutador nas calhas da mesma forma que nas configurações de quatro hastes.

Instalação de rack dianteiro 1U

As hastes presas ao comutador devem ser configuradas.

- 1 Prenda as calhas do comutador (membros internos do chassi) no comutador PC81xx. A Figura 7, item 1 mostra o detalhe da guia dianteira com a aba de travamento.

Figura 7. Como anexar as calhas do comutador

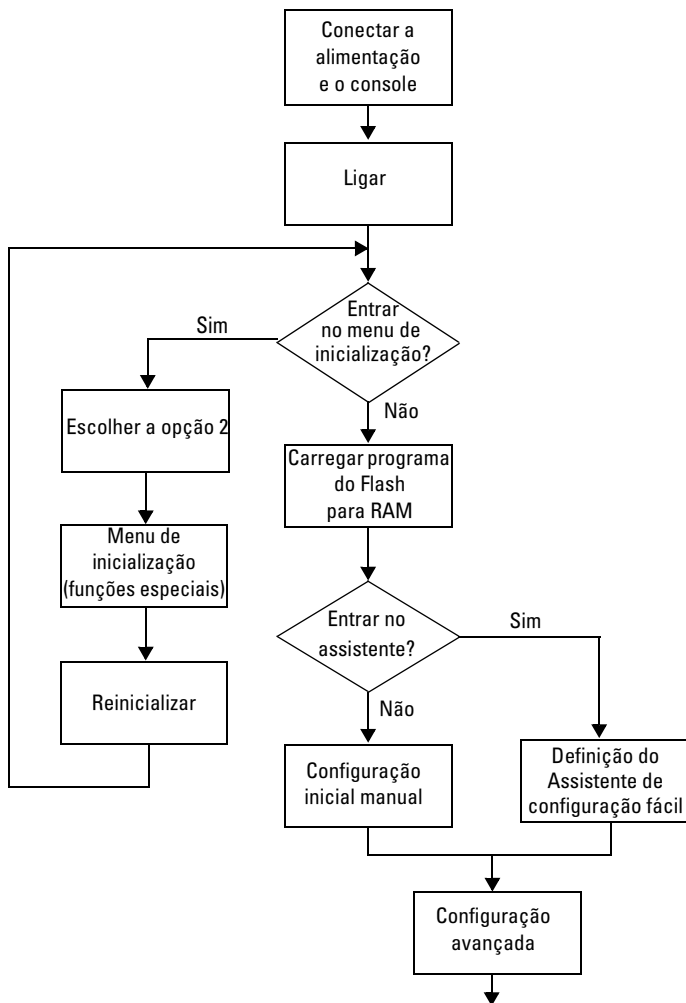


- 2 Após instalar ambas as calhas do comutador, alinhe-as no Ready-Rails montado anteriormente no rack e deslize o comutador até encastrar com a parte dianteira do rack. Quando faltar aproximadamente 7,5 cm para a inserção total, o dispositivo de travamento da calha será acionado para impedir que o comutador deslize para fora do rack e caia.

Inicialização e configuração do comutador

O seguinte fluxograma fornece uma visão geral das etapas utilizadas para realização da configuração inicial depois que o comutador for retirado da embalagem e montado.

Figura 8. Fluxograma de instalação e configuração



Conexão do computador ao terminal

Após concluir todas as conexões externas, conecte um terminal a um computador para configurar o computador.



NOTA: Antes de continuar, leia as notas de versão do produto. Você pode fazer download das notas de versão no site de suporte da Dell no endereço support.dell.com/support.



NOTA: Recomendamos que obtenha a versão mais recente da documentação do usuário no site de suporte da Dell, no endereço support.dell.com/support.

Para monitorar e configurar o computador por meio do console serial, utilize a porta de console RJ45 localizada no painel posterior do computador para conectá-lo a um terminal VT100 ou computador que esteja executando o software de emulação do terminal VT100. A porta de console é implementada como um conector DTE (Data Terminal Equipment [equipamento terminal de dados]).

Para utilizar a porta de console, recomenda-se o seguinte equipamento:

- Terminal compatível com VT100 ou um computador portátil ou desktop, com porta serial, que esteja executando o software de emulação do terminal VT100, como o Microsoft HyperTerminal.
- Um cabo serial (fornecido) com um conector RJ45 para a porta de console e um conector DB-9 para o terminal.

Proceda da seguinte forma para conectar o terminal à porta de console do computador:

- 1** Conecte o conector DB-9 do cabo serial ao terminal ou computador que está executando o software de emulação do terminal VT100.
- 2** Configure o software de emulação do terminal conforme as seguintes instruções:
 - a** Selecione a porta serial apropriada (por exemplo, COM 1) para conectar ao console.
 - b** Configure a taxa de dados em 9600 baud.
 - c** Configure o formato de dados em 8 bits de dados, 1 bit de parada e sem paridade.
 - d** Configure o controle de fluxo em nenhum.
 - e** Configure o modo de emulação do terminal em VT100.

- f Selecione Terminal keys (Teclas do terminal) para as teclas de função, de seta e Ctrl. Verifique se a configuração corresponde à opção Terminal keys (Teclas de terminal) e não a Microsoft Windows keys (Teclas Windows).



NOTA: Quando for utilizar o HyperTerminal com o Microsoft Windows 2000, certifique-se de que o Windows 2000 Service Pack 2 ou posterior esteja instalado. Com o Windows 2000 Service Pack 2, as teclas de seta funcionam corretamente na emulação VT100 do HyperTerminal. Visite o site **microsoft.com** para obter mais informações sobre os service packs do Windows 2000.

- 3 Conecte o conector RJ45 no cabo diretamente à porta RJ45 do console PowerConnect 81xx localizada na parte posterior do comutador.

Inicialização do comutador

Ao ativar a energia, o comutador passará pelo teste automático de inicialização (POST). O POST é executado toda vez que o dispositivo é inicializado e examina os componentes de hardware para determinar se o comutador está funcionando corretamente antes de concluir a inicialização. Se o POST detectar um problema crítico, o fluxo do programa será interrompido. Se o POST for executado com sucesso, o firmware válido será carregado na memória RAM. As mensagens do POST são exibidas no terminal e indicam êxito ou falha do teste. O processo de inicialização demora aproximadamente 60 segundos.

Com o terminal local conectado, é possível chamar o menu de inicialização depois que a primeira parte do POST for concluída. No menu de inicialização, você pode realizar tarefas de configuração, como redefinição do sistema aos padrões de fábrica, ativação da imagem de backup ou recuperação de uma senha. Para obter mais informações sobre as funções do menu de inicialização, consulte o *Guia de referência da CLI*.

Realização da configuração inicial

O procedimento de configuração inicial baseia-se nas seguintes suposições:

- O comutador PowerConnect nunca foi configurado antes e está no mesmo estado em que o recebeu.
- O comutador PowerConnect inicializou corretamente.
- A conexão do console foi estabelecida e o aviso do **Dell Easy Setup Wizard** (Assistente de configuração fácil da Dell) é exibido na tela do terminal VT100 ou equivalente.

A configuração inicial do comutador é efetuada pela porta de console. Após a configuração inicial, será possível gerenciar o comutador tanto pela porta de console já conectada como por uma conexão remota.



NOTA: O comutador não está configurado com um nome de usuário padrão, senha ou endereço IP.

Antes de efetuar a configuração inicial do comutador, obtenha as seguintes informações do administrador da rede:

- O endereço IP a ser atribuído à interface fora de banda (OOB) para gerenciamento de dispositivo.
- A máscara de sub-rede do IP da interface OOB.
- O endereço IP do gateway padrão da interface OOB.

Essas configurações são necessárias para possibilitar o gerenciamento remoto do comutador via Telnet (cliente Telnet) ou HTTP (navegador da web).

Procedimento de configuração inicial

É possível executar a configuração inicial por meio do **Dell Easy Setup Wizard** (Assistente de configuração fácil da Dell) ou da CLI. O assistente inicia automaticamente quando o arquivo de configuração do comutador está vazio. É possível sair do assistente em qualquer momento digitando [ctrl+z], mas todos os parâmetros de configuração especificados serão descartados e o comutador utilizará os valores padrão.



NOTA: Se você não executar o Easy Setup Wizard (Assistente de configuração fácil) ou não responder ao aviso inicial desse assistente em 60 segundos, o comutador entrará no modo CLI.

Para obter mais informações sobre como realizar a configuração inicial usando a CLI, consulte o *Guia de referência da CLI*. Este *Guia de Primeiros Passos* mostra como utilizar o Easy Setup Wizard (Assistente de configuração fácil) para a configuração inicial do comutador. O assistente define a seguinte configuração para o comutador:

- Estabelece a conta de usuário com privilégios inicial com uma senha válida. O assistente configura uma única conta de usuário com privilégios durante a configuração.
- Ativa o login CLI e o acesso HTTP para uso somente da configuração de autenticação local.
- Define o endereço IP para a interface OOB.
- Define a sequência de comunidade SNMP a ser utilizada pelo gerente de SNMP em um dado endereço IP. Salte esta etapa caso o gerenciamento de SNMP não seja utilizado para o comutador em questão.

Sessão de exemplo

Esta seção contém a descrição de uma sessão do utilitário Easy Setup Wizard (Assistente de configuração fácil). Os valores a seguir serão utilizados na sessão de exemplo:



NOTA: Não há usuário, senha nem endereço IP quando o comutador é tirado da caixa ou definido com os padrões de fábrica.

- A opção SNMP não está ativada.
- O nome de usuário padrão, **root**, foi aceito e uma senha, **admin123**, foi inserida. O assistente não exibe a senha conforme é inserida.
- A interface OOB usa 192.168.2.1 para atribuição de endereços IP.



NOTA: No exemplo abaixo, as opções de usuário possíveis estão envolvidas em []. O acionamento da tecla <Enter> sem opções definidas fará com que o sistema aceite o valor padrão. O texto de ajuda se encontra entre parênteses.

O exemplo a seguir contém a sequência de prompts e respostas associadas à execução de uma sessão de exemplo do **Dell Easy Setup Wizard** (Assistente de configuração fácil da Dell), em que se utilizam os valores de entrada listados anteriormente.

Depois que o comutador concluir o POST e for inicializado, o sistema exibirá o seguinte texto:

```
(Unit 1 - Waiting to select management unit)> (Unidade  
1 - Aguardando para selecionar unidade de  
gerenciamento)
```

```
Applying Global configuration, please wait...  
(Aplicando configuração Global, aguarde...)
```

```
Welcome to Dell Easy Setup Wizard (Bem-vindo ao  
assistente de configuração fácil Dell)
```

```
The Setup Wizard guides you through the initial switch  
configuration, and gets you up and running as quickly  
as possible. (O assistente de configuração o guiará  
pela configuração inicial para que tudo esteja  
funcionando o mais rápido possível.) You can skip the  
setup wizard, and enter CLI mode to manually configure  
the switch. (É possível pular o assistente e ativar o  
modo CLI para configurar manualmente o comutador.) You  
must respond to the next question to run the setup  
wizard within 60 seconds, otherwise the system will  
continue with normal operation using the default  
system configuration. (É necessário responder à  
próxima pergunta para executar o assistente de  
configuração em 60 segundos. Caso contrário, o sistema  
continuará a operação normal usando a configuração  
padrão do sistema.) Note: (Nota:) You can exit the  
setup wizard at any point by entering [ctrl+z].  
(É possível sair do assistente de configuração a  
qualquer momento, pressionando [ctrl + z].)
```

```
Would you like to run the setup wizard (you must  
answer this question within 60 seconds)? (Deseja  
executar o assistente de configuração? Esta pergunta  
precisa ser respondida em no máximo 60 segundos.)  
[Y/N] (S/N) y (s)
```

First: (Primeiro:)

Do you want to select the operational mode as Simple Mode? (Deseja selecionar o Modo Simples de operação?) [Y/N] (S/N) **y** (s)

Step 1: (Etapa 1:)

The system is not setup for SNMP management by default. (Por padrão, o sistema não é configurado para gerenciamento SNMP.) To manage the switch using SNMP (required for Dell Network Manager) you can (Para gerenciar o comutador usando SNMP (requisito para o Gerenciador de Redes Dell) você pode)

- . Set up the initial SNMP version 2 account now. (Configurar a conta versão 2 SNMP agora.)
- . Return later and setup other SNMP accounts. (Voltar depois e configurar outras contas SNMP.) (For more information on setting up an SNMP version 1 or 3 account, see the user documentation). (Para mais informações sobre como configurar uma conta versão 1 ou versão 3 SNMP, consulte a documentação do usuário).

Would you like to setup the SNMP management interface now? (Deseja configurar a interface de gerenciamento SNMP agora?) [Y/N] (S/N) **n**

Step 2: (Etapa 2:)

Now we need to setup your initial privilege (Level 15) user account. (Agora é preciso configurar sua conta de usuário com privilégios (Nível 15) inicial.) This account is used to login to the CLI and Web interface. (Essa conta é usada para se conectar à interface Web e CLI.) You may setup other accounts and change privilege levels later. (É possível configurar outras contas e alterar os níveis de privilégio mais tarde.) For more information on setting up user accounts and changing privilege levels, see the user documentation.

(Para mais informações sobre como configurar contas e alterar níveis de privilégio, consulte a documentação do usuário.)

To setup a user account: (Para configurar uma conta de usuário:)

Please enter the user name. (Insira o nome de usuário.) [root]: ([raiz]:)

Please enter the user password: (Insira a senha:)

Please reenter the user password: (Insira novamente a senha:)

Step 3: (Etapa 3:)

Next, IP addresses are setup on the OOB (Out-Of-Band) Interface and/or the VLAN 1 routing interface. (A seguir, os endereços IP serão configurados na Interface OOB e/ou na interface de encaminhamento VLAN 1.)

You can use these IP addresses to access the CLI, Web interface, or SNMP interface of the switch. (É possível usar esses endereços IP para acessar a interface SNMP, WEB ou CLI do comutador.)

To access the switch through any Management Interface you can (Para acessar o comutador através de qualquer Interface de Gerenciamento, você pode)

- . Setup the IP address for the Management Interface. (Configurar o endereço IP para a Interface de Gerenciamento.)
- . Setup the default gateway if IP address is manually configured on both routing and OOB interface. (Configure o gateway padrão caso o endereço IP seja configurado manualmente tanto na interface OOB quanto no encaminhamento).

Would you like to setup the Out-Of-Band interface now?
(Deseja configurar a interface Out-Of-Band?) [Y/N]
(S/N) **y** (s)

Please enter the IP address of the device (A.B.C.D) or
enter "DHCP" (without the quotes) to automatically
request an IP address from the network DHCP server.
(Insira o endereço IP do dispositivo (A.B.C.D) ou
insira "DHCP" (sem as aspas) para solicitar
automaticamente um endereço IP do servidor DHCP da
rede.) [192.168.2.1]:

Please enter the IP subnet mask (A.B.C.D or /nn).
(Insira a máscara de sub-rede IP (A.B.C.D ou /nn)).
[255.255.255.0]:

This is the configuration information that has been
collected: (Essas são as informações de configuração
que foram coletadas:)

Operational Mode = Simple (Modo de operação = simples)

User Account setup = root (Configuração da conta de
usuário = raiz)

Password (Senha) = *****

Out-of-band IP address (Endereço IP OOB) = 192.168.2.1
255.255.255.0

Final Step: (Etapa final:)

If the information is correct, please enter (Y) to
save the configuration, and copy the settings to the
start-up configuration file. (Se as informações
estiverem corretas, pressione (S) para salvar a
configuração e copiá-la para o arquivo de configuração
de inicialização.) If the information is incorrect,
enter (N) to discard the configuration and restart the
wizard: (Caso estejam incorretas, pressione (N) para
descartar a configuração e reiniciar o assistente:)
[Y/N] (S/N) **y** (s)

Thank you for using the Dell Easy Set up Wizard.
(Agradecemos por usar o Assistente de Configuração
Fácil Dell.) You will now enter CLI mode. (Entrando em
modo CLI.)

Applying Interface configuration, please wait...
(Aplicando configuração de interface, aguarde...)

console>

Próximas etapas

Após concluir a configuração inicial descrita nesta seção, você poderá conectar uma das portas do comutador do painel frontal à rede de produção para gerenciamento remoto na-banda.

Se você tiver especificado o DHCP para o endereço IP da interface de gerenciamento fora de banda, a interface irá adquirir esse endereço IP de um servidor DHCP na rede. Para descobrir o endereço IP atribuído dinamicamente, use a conexão de porta do console para emitir o seguinte comando:

show ip interface out-of-band (mostrar interface ip fora de banda).

Para acessar a interface do **Dell OpenManage Switch Administrator** (Administrador de comutador do Dell OpenManage), insira o endereço IP da interface de gerenciamento fora de banda no campo de endereço de um navegador da Web. Para acesso de gerenciamento remoto à CLI, insira o endereço IP da interface de gerenciamento fora de banda em um cliente Telnet ou SSH. Como alternativa, você pode continuar usando a porta do console para acesso local da CLI ao comutador.

O comutador PowerConnect 81xx oferece suporte a recursos básicos de comutação como VLANs, 802.1X, RADIUS e TACACS+. Para obter mais informações sobre recursos com suporte no modo Simples, consulte *Modo de comutador simples: Informe oficial sobre o recurso Agregador de portas*.

Se o comutador estiver configurado para funcionar no modo Normal, ele também poderá oferecer suporte a recursos como protocolo de estrutura estendida, assim como recursos avançados de 3ª Camada como roteamento dinâmico e multicast. Use a interface de gerenciamento baseada na Web ou a CLI para configurar os recursos que a sua rede precisa. Para obter informações sobre como configurar os recursos do comutador, consulte o *Guia de configuração do usuário* ou o *Manual de referência da CLI* disponíveis no site de suporte support.dell.com/support.

Системы Dell PowerConnect
81xx Series Switch
(Коммутатор)

Руководство по
началу работы

Нормативная модель: PC8132,
PC8132F, PC8164, PC8164F



Примечания



ПРИМЕЧАНИЕ: В примечаниях содержится важная информация, которая поможет использовать компьютер более эффективно.



ВНИМАНИЕ: Если вы видите слово « Внимание », значит в случае несоблюдения инструкций возможно повреждение оборудования или потеря данных.

Информация в настоящем документе может быть изменена без предварительного уведомления.

© 2012 Dell Inc. Все права защищены.

Воспроизведение данных материалов любым способом без письменного разрешения корпорации Dell Inc. строго воспрещается.

Товарные знаки, использованные в этом документе: Dell™, логотип DELL, PowerConnect™, OpenManage™, ReadyRails™ и Torx™ являются товарными знаками корпорации Dell Inc. Microsoft®, Windows® являются зарегистрированными товарными знаками корпорации Microsoft Corporation в США и/или других странах.

Остальные товарные знаки и торговые наименования могут использоваться в этом руководстве для обозначения компаний, заявляющих права на товарные знаки и наименования, или продуктов этих компаний. Корпорация Dell Inc. не заявляет прав ни на какие товарные знаки и наименования, кроме собственных.

Нормативная модель PC8132, PC8132F, PC8164, PC8164F

Февраль 2012 г. P/N JHCTM Ред. A00

Содержание

1	Введение	259
	Функциональные возможности.	259
2	Обзор аппаратной части	260
	Передняя панель.	262
	Исходящие фиксированные порты четырехпортового SFP-модуля.	262
	Слот расширения	263
	Интерфейс УАПП (универсальный асинхронный приемопередатчик)	263
	Системные индикаторы.	264
3	Установка	266
	Подготовка места	266
	Распаковка коммутатора	266
	Комплект поставки.	266
	Процедура распаковки	267
	Монтаж коммутатора в стойке	267
	Информация по безопасности при монтаже в стойке	268
	Установка системы Dell ReadyRails	268
	Установка коммутатора	273

4	Запуск и конфигурация коммутатора	274
	Подключение коммутатора к терминалу	275
	Загрузка коммутатора	276
	Выполнение первоначальной настройки	277
	Процедура начальной конфигурации	277
	Пример	278
	Следующие шаги	282

Введение

В документе представлены основные сведения о коммутаторах серии Dell PowerConnect 81xx, PC8132, PC8132F, PC8164, PC8164F, в том числе об их установке и первоначальной настройке. Чтобы узнать, как настроить коммутатор и управлять его функциями, ознакомьтесь с последними версиями технической документации и изменениями в программном обеспечении *Руководством по настройке*, которое можно найти на веб-сайте технической поддержки корпорации Dell support.dell.com/support.

Документ содержит следующие разделы:

- Обзор аппаратной части
- Установка
- Запуск и конфигурация коммутатора

Функциональные возможности

Сетевые коммутаторы серии PowerConnect 8100 — это прекрасно масштабируемые устройства для объединения корпусов учебных заведений в единую сеть стандарта 10 Gigabit Ethernet. Это семейство коммутаторов 3-го уровня предназначено для высокоскоростных кабельных сетей Ethernet 10/40 Гбит/с, необходимых для мощных инфраструктур компаний и предприятий, и отличается высокой масштабируемостью, высокой пропускной способностью в сетях 10 Gigabit Ethernet и простотой управления.

Коммутаторы серии PC8100 обладают высокой работоспособностью и резервной мощностью для развертывания небольших сетей первого и второго уровня, который обеспечивает высокую пропускную способность на скорости 10 Гбит/с и 40 Гбит/с в сетях предприятий. В устройствах этого семейства обеспечивается пакетирование высокой плотности с портами Ethernet 10—40 Гбит/с, которые управляются как единое устройство, и наличие резервных источников питания, вентиляторов и встроенного ПО. Простоте управления способствует функция быстрого развертывания по USB (USB Rapid Deployment), которая ускоряет сетевую адресацию при загрузке и установку встроенного программного обеспечения, выполняемой пакетно. Гибкие возможности управления включают в себя промышленный стандарт CLI, дистанционное управление с помощью встроенного веб-сервера и поддержку приложений для управления на основе протокола SNMP, в том числе Dell OpenManage.

Семейство PC8100 поддерживает сетевые технологии хранения и оптимизацию по протоколу iSCSI. Чтобы упростить подключение к массивам Dell EqualLogic, функция iSCSI Auto-Configuration, которая есть во всех коммутаторах серии 8100 Series автоматически обнаруживает массивы и настраивает коммутатор на максимальную пропускную способность. Эта функция по умолчанию включена, чтобы ускорить процесс достаточно только подключить кабель. Чтобы подключить массивы Dell Compellent, достаточно настроить одну команду.

Компания Dell уделило много внимания вопросам энергоэффективности серии PowerConnect 8100, применяя технологии энергоэффективных портов Ethernet (EEE) для уменьшения энергопотребления в активном режиме и режиме ожидания. Кроме резервных источников питания, которые эффективно работают в любых режимах, вентиляторы с регулируемой скоростью уменьшают потребление электроэнергии за счет использования нескольких температурных датчиков. Наконец, на семейство PC8100 распространяется пожизненная гарантия компании Dell и пожизненное техническое обслуживание (ремонт или замена).

Обзор аппаратной части

Этот раздел содержит информацию о характеристиках устройства и аппаратных конфигурациях модулей коммутаторов PowerConnect 81xx.

Коммутаторы серии PowerConnect 81xx имеют такие фактические размеры:

- 440 x 460 x 44 мм (Ш x Г x В).
- 17,32 x 18,11 x 1,73 дюймов (Ш x Г x В).

Коммутаторы PowerConnect 81xx выпускаются в четырех вариантах корпусов, а также с различной полосой пропускания (640—320 Гбит/с).

Конкретные параметры указаны ниже.

- 1 PC8132F — модуль SFP на 24 порта + 10G + модуль расширения на 40G/80G
- 2 PC8164F — модуль SFP на 48 портов + 10G + 2-портовый 40-гигабитный модуль QSFP + модуль расширения на 40G/80G
- 3 PC8132 — модуль 10GBaseT на 24 порта + модуль расширения на 40G/80G
- 4 PC8164 — модуль 10GBaseT на 48 портов + 2-портовый 40-гигабитный модуль QSFP + модуль расширения на 40G/80G

В разъемы модуля можно подключать три различных вида модулей:

- SFP+
- 10G Base-T
- QSFP+

В системе также есть консольный порт типа RJ45 с интерфейсом RS-232 и выделенный сервисный порт Ethernet, с помощью которого осуществляется внешнее управление (OOB).

Функции PC81xx:

- Поддержка одного USB-порта
- Сорок восемь 10-гигабитных портов для трансивера на 1—10 Гбит/с
- Два фиксированных 40-гигабитных порта QSFP для 40-гигабитного трансивера
- Один 80-гигабитный слот расширения для модуля SFP+, 10-гигабитные модули Base-T и QSFP+
- Система с мощным процессором и большим объемом памяти. XLP308H/256 MB NOR Flash/2GB DDR III RAM.
- Датчики температуры (TMP75)
- Температурный датчик, который передает данные для программного обеспечения
- Поддержка часов реального времени (RTC)
- Возможность горячего подключения резервного источника питания
- Текущий мониторинг системы управления энергопотреблением
- Можно снимать и настраивать вентилятор
- Стандартный форм-фактор размером 1U

Передняя панель

На рисунке ниже показана передняя панель PowerConnect 81xx.


Рисунок 1. PowerConnect 81xx Передняя панель



Порты QSFP+

На передней панели находятся:

- 24/48 фиксированных портов 10G Base-T или SFP+
- Порт управления
- Порт USB 2.0

 **ПРИМЕЧАНИЕ:** Светодиодный дисплей для системы, индикаторы питания и вентиляторов находятся на задней панели.

Исходящие фиксированные порты четырехпортового SFP-модуля

Модели PC8164 и PC8164F имеют два фиксированных порта QSFP, каждый из которых может выполнять такие функции:

- Четыре 10-гигабитных порта, снабженные кабелем QBO
- Один 40-гигабитный порт для поддержки трансиверов CR4, SR4 и LR4
- Светодиодные индикаторы портов на передней панели

Для размещения стеков можно использовать QSFP-соединения. Размещать стеки можно на расстоянии до 100 м.

 **ПРИМЕЧАНИЕ:** Модули QSFP можно использовать только для коммутаторов серии PowerConnect 81xx.

Слот расширения

80-гигабитный слот расширения поддерживает такие модули:

- SFP+ (с четырьмя 10-гигабитными портами)
- 10G Base-T (с четырьмя 10-гигабитными портами)
- QSFP+ (которые можно настроить для работы с двумя 40G-портами или восемью 10G-портами)

Модули приобретаются отдельно.

Интерфейс УАПП (универсальный асинхронный приемопередатчик)

Порт УАПП (универсальный асинхронный приемопередатчик) создан на основе промышленных устройств типа 16550 УАПП. Порт УАПП обеспечивает возможность последовательного соединения, что позволяет установить связь с моделью или другим внешним устройством посредством протокола RS-232. С помощью последовательного порта можно выполнять прямое подключение к коммутатору и получить доступ к интерфейсу командной строки (CLI) из консольного терминала, подключенного к порту с помощью серийного кабеля (с коннектором RJ45 YOST для гнезда DB-9).

Порт УАПП можно настраивать отдельно и использовать для асинхронной связи на скорости от 1200 до 4 млн бод.

Для программирования интерфейса УАПП существует несколько вариантов:

- 5, 6, 7 или 8-знаковые биты
- 1, 1,5 или 2 стоповых бита
- Функции контроля по чётности
- Чётная/нечётная (если функция контроля по чётности включена)
- Контроль бита закрепления (если функция контроля по чётности включена)

По умолчанию установлены такие параметры: скорость 9600 бод, 8 бит данных, контроль чётности отключен, 1 стоповый бит, управление потоком отключено.

Системные индикаторы

В системе есть светодиоды (LED), которые отображают состояние системы, температуру, диагностику, работу вентиляторов, передачу пакетов данных и состояние локатора устройства PowerConnect 81xx. В таблице Таблица 1 приведена расшифровка показаний светодиодных индикаторов.

Таблица 1. Расшифровка показаний для индикатора системы

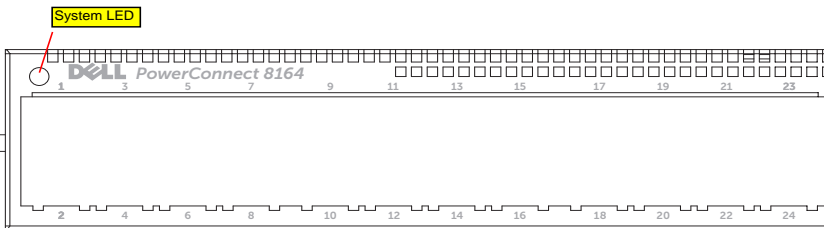
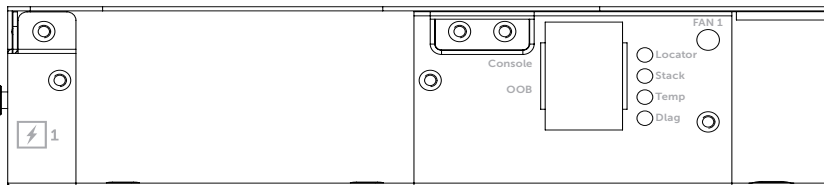
Функция	Подробное описание	Комментарий
Индикатор работы системы	<ul style="list-style-type: none">• Непрерывный синий — нормальная работа• Мигающий синий — загрузка• Непрерывный красный — критическая системная ошибка• Мигающий красный — некритическая системная ошибка (сбой в работе вентиляторов или источника питания)	На передней панели
Индикатор температуры	<ul style="list-style-type: none">• Не горит — нормальная температура• Непрерывный янтарный — перегрев^a	На задней панели
Индикатор диагностики	<ul style="list-style-type: none">• Не горит — нормальная работа• Мигает зеленым — выполняется диагностика	На задней панели
Индикатор работы вентиляторов	<ul style="list-style-type: none">• Непрерывный зеленый — вентилятор работает на заданной скорости• Непрерывный красный — сбой работы вентилятора	На задней панели

Таблица 1. Расшифровка показаний для индикатора системы (продолжение)

Функция	Подробное описание	Комментарий
Индикатор передачи пакетов данных	<ul style="list-style-type: none"> • Непрерывный синий — коммутатор в режиме передачи данных • Непрерывный зеленый — коммутатор в подчиненном режиме передачи данных • Не горит — коммутатор в автономном режиме 	На задней панели
Индикатор локатора	<ul style="list-style-type: none"> • Мигающий синий — функция локатора включена • Непрерывный синий — функция локатора отключена 	На задней панели

а. Порог перегрева для датчика температуры составляет 75°C. Если температурный порог превышен, индикатор температуры загорается янтарным цветом.

Рисунок 2. Индикаторы портов



Установка

Подготовка места

Перед началом установки одного или нескольких коммутаторов, убедитесь, что место для установки отвечает следующим требованиям:

- **Зазор.** Должно быть достаточно места спереди и сзади для работы оператора. Оставьте достаточное пространство для кабельных подключений, силовых кабелей и вентиляции.
- **Кабельное подключение.** При прокладке кабелей следует избегать источников электрических помех, например, радиопередатчиков, трансляционных усилителей, электропроводки и люминесцентной осветительной арматуры.
- **Температура окружающей среды.** Коммутатор предназначен для работы в диапазоне температур от 10 °C до 35 °C (50 °F–95 °F).



ПРИМЕЧАНИЕ: Уменьшайте максимально допустимую температуру на 1 °C (18 °F) каждые 300 м (985 фт.) на высоте более 900 м (2955 фт.).

- **Относительная влажность.** Устройство работает при относительной влажности в пределах 8—85% (при отсутствии конденсации). Максимальный прирост влажности составляет 10% в час.

Распаковка коммутатора

Комплект поставки

При распаковке коммутатора проверьте наличие следующих компонентов.

- Один коммутатор PowerConnect
- Один кабель с разъемами RJ45/DB-9
- Два набора монтажных реек (инструменты не требуются)
- Два блока питания (упакованных отдельно)
- Два сетевых шнура для переменного тока (может отличаться в зависимости от конкретного региона/страны)
- *Руководство по началу работы*

- *Сведения о безопасности и стандартах*
- *Сведения о гарантии и технической поддержке*
- *Лицензионное соглашение по использованию программного обеспечения*

Процедура распаковки



ПРИМЕЧАНИЕ: Перед распаковкой коммутатора проверьте целостность упаковки и немедленно сообщите о любом обнаруженном повреждении.

- 1 Поместите упаковочную коробку на чистую плоскую поверхность и перережьте все крепёжные ленты.
- 2 Откройте упаковочную коробку или снимите с нее верхнюю крышку.
- 3 Аккуратно достаньте коммутатор из упаковочной коробки и поставьте его в безопасное и чистое место.
- 4 Отложите в сторону весь упаковочный материал.
- 5 Проверьте коммутатор и принадлежности на наличие повреждений.

Монтаж коммутатора в стойке

Можно разместить коммутатор на полке стойки или закрепить его непосредственно в стойке типа EIA-310-E шириной 19 дюймов (с помощью двух или четырех зажимов, или с помощью винтов). Система Dell ReadyRails™ предназначена для крепления к лицевой части стойки формата 1U или к двум опорам. Система ReadyRails состоит из двух раздельно упакованных комплектов монтажных реек и двух реек, которые крепятся по бокам коммутатора.



ОСТОРОЖНО! Ниже приведено краткое руководство. Перед началом ознакомьтесь с инструкциями по технике безопасности, изложенными в брошюре « Сведения о безопасности, стандартах и воздействии на окружающую среду ».



ПРИМЕЧАНИЕ: Иллюстрации в ней не относятся к какой-либо конкретной модели коммутатора.

Информация по безопасности при монтаже в стойке

- Нагрузка на стойку. Перегрузка или неравномерная нагрузка стойки может привести к разрушению полки или стойки и ущербу для оборудования и травмам. Прежде чем нагружать стойку, надежно установите ее в том месте, где она должна постоянно находиться. Устанавливайте компоненты, начиная с нижней части стойки, постепенно переходите к верху. Не превышайте максимально допустимую нагрузку на стойку.
- Подключение к источнику питания. Подключайтесь только к источникам питания, указанным на устройстве. Если на одной стойке установлено несколько электроприборов, убедитесь, что их общая мощность не превышает допустимую. Перегрузка источников питания и удлинителей может стать причиной пожара и электрического удара.
- Повышенная температура окружающей среды. Если устройства установлены в закрытых стойках, рабочая температура вокруг стойки может быть выше, чем в среднем в помещении. Следите за тем, чтобы температура вокруг коммутатора не превышала 50 °С.
- Плохая вентиляция. Устанавливайте оборудование в стойке так, чтобы ничто не препятствовало свободному доступу воздуха, необходимого для безопасной эксплуатации.
- Надежное заземление. Выполните надежное заземление оборудования в стойке. Обратите особое внимание на подключения к сети, выполненные не напрямую, например, с использованием сетевых фильтров.
- Устройство нельзя устанавливать задней панелью вниз.

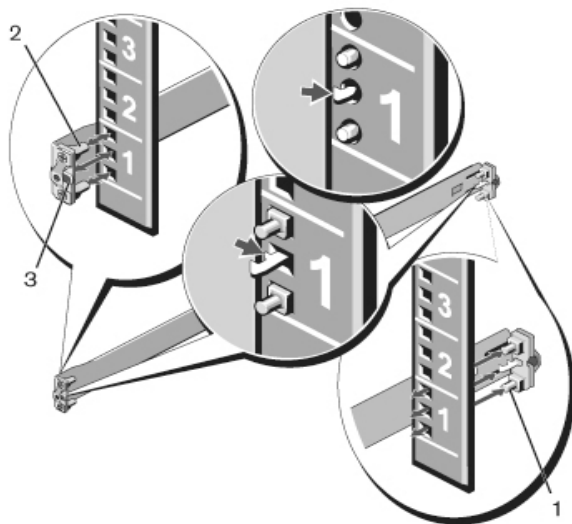
Установка системы Dell ReadyRails

Система монтажа в стойке ReadyRails обеспечивает быструю настройку стойки для последующей установки коммутатора. Систему ReadyRails можно устанавливать без помощи инструментов для устройств формата 1U, а также можно выбрать вариант крепления с помощью инструментов (утопленное крепление на двух опорах, центральное крепление на двух опорах или крепление винтами на четырех опорах).

Конфигурации 1U без инструментов (четыре квадратных отверстия или круглых отверстия без резьбы)

- 1 Вывернув наружу язычки фланцев ReadyRails, установите одну из реек между правой и левой вертикальными опорами. Выровняйте ее и вставьте штыри задней рейки в отверстия фланца задней вертикальной опоры. На рис. Рис. 3, пункт 1 показывается, как выглядят штыри в квадратных и круглых отверстиях.

Рисунок 3. Конфигурация 1U без применения инструментов

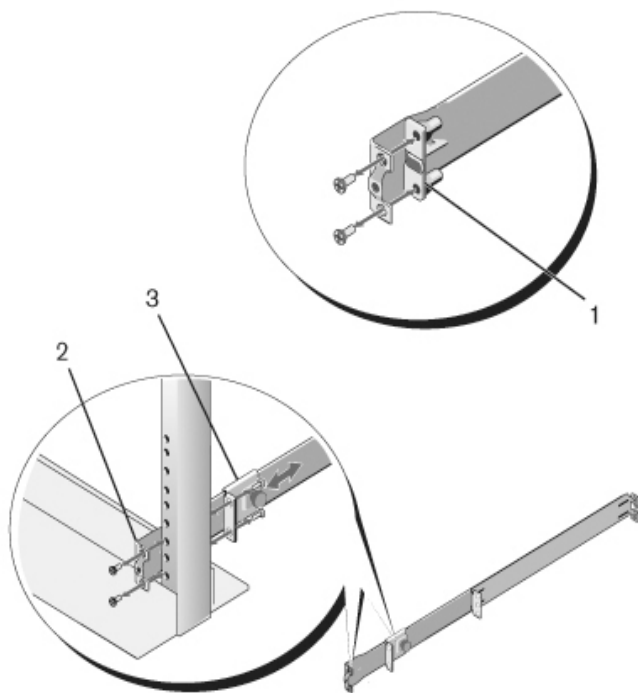


- 2 Выровняйте и вставьте штыри на лицевом фланце в отверстия в лицевой части вертикальной опоры. См. рис. Рис. 3, пункт 2.
- 3 Выполните те же действия со второй рейкой.
- 4 Чтобы снять рейку, отогните защелку на язычке каждого из фланцев и вытяните рейку. См. рис. Рис. 3, пункт 3.

Конфигурация на двух опорах с утопленным креплением

- 1 В этой конфигурации нужно удалить отливки с передней части каждой детали ReadyRails. См. рис. Рис. 4, пункт 1 на стр. 270. Используйте отвертку с шестигранным шлицем, чтобы открутить два винта с каждого язычка фланца (с внутренней стороны рейки) и удалить отливки. Сохраните отливки для возможного использования в будущем. Не нужно удалять отливки с заднего фланца.

Рисунок 4. Конфигурация на двух опорах с утопленным креплением



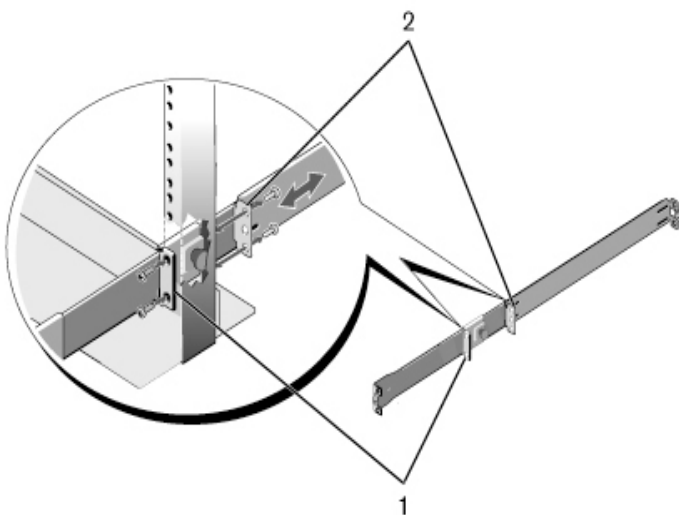
- 2 Прикрепите одну рейку к фланцу передней опоры с помощью двух винтов (не идущих в комплекте). См. рис. Рис. 4, пункт 2.

- 3 Подведите пружинный кронштейн к вертикальной опоре и прикрепите его к ней с помощью двух винтов. См. рис. Рис. 4, пункт 3.
- 4 Выполните те же действия со второй рейкой.

Конфигурация на двух опорах с центральным креплением

- 1 Отведите пружинный кронштейн назад, покуда он не защелкнется на месте, затем прикрепите его к передней опоре с помощью двух винтов. См. рис. Рис. 5, пункт 1.

Рисунок 5. Конфигурация на двух опорах с центральным креплением

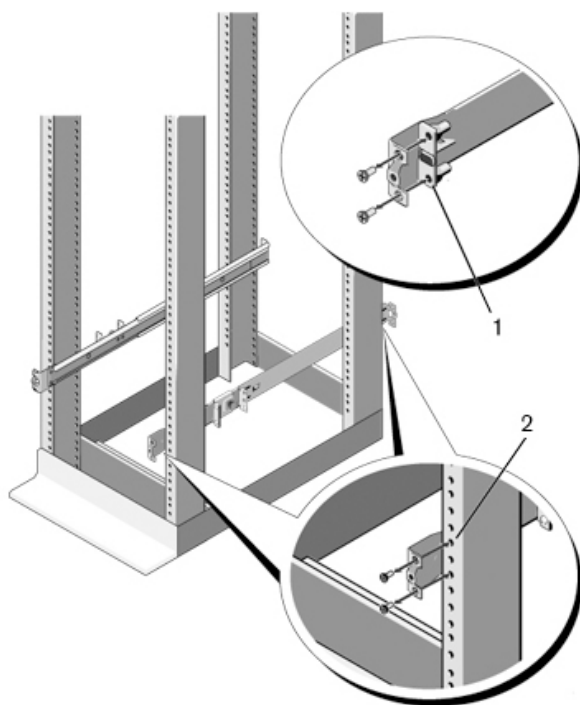


- 2 Пододвиньте задний кронштейн к опоре и прикрепите его к фланцу опоры с помощью двух винтов. См. рис. Рис. 5, пункт 2.
- 3 Выполните те же действия со второй рейкой.

Конфигурация на четырех опорах с винтами

- 1 Для выполнения этой конфигурации, нужно удалить отливки с каждого конца прижимных планок ReadyRails. Используйте отвертку с шестигранным шлицем, чтобы открутить два винта с каждой планки и удалить отливки. См. рис. Рис. 6, пункт 1 на стр. 272. Сохраните отливки для возможного использования в будущем.
- 2 Для монтажа каждой из реек прикрутите передний и задний фланец к фланцу опоры с помощью двух винтов (не идущих в комплекте). См. рис. Рис. 6, пункт 2 на стр. 272.

Рисунок 6. Конфигурация на четырех опорах с винтами



Установка коммутатора

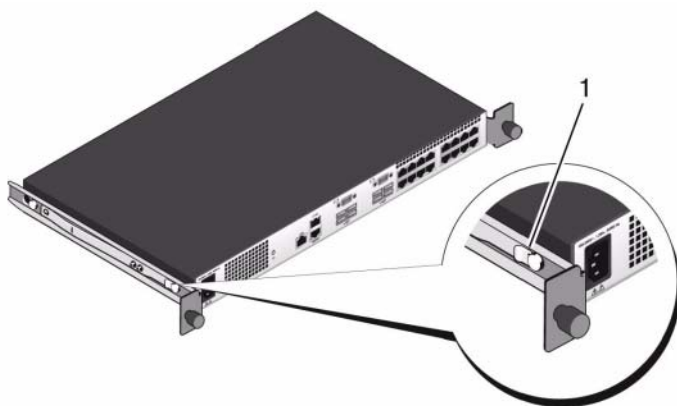
Коммутатор можно монтировать в передней части стойки формата 1U и на двух опорах формата 1U (утопленным в стойку или прикрепленным к центру). Ниже показан пример крепления к передней части стойки формата 1U. Для способа крепления на две стойки можно установить коммутатор на рейках, подобно тому как это делается для конфигурации на четыре опоры.

Установка на передней части стойки формата 1U

Рейки для крепления к коммутатору нужно предварительно настроить.

- 1 Прикрепите рейки (внутренние детали шасси) к коммутатору PC81xx. На рисунке Рис. 7 в пункте 1 подробно показан передний упор со стопорным язычком.

Рисунок 7. Прикрепление реек коммутатора

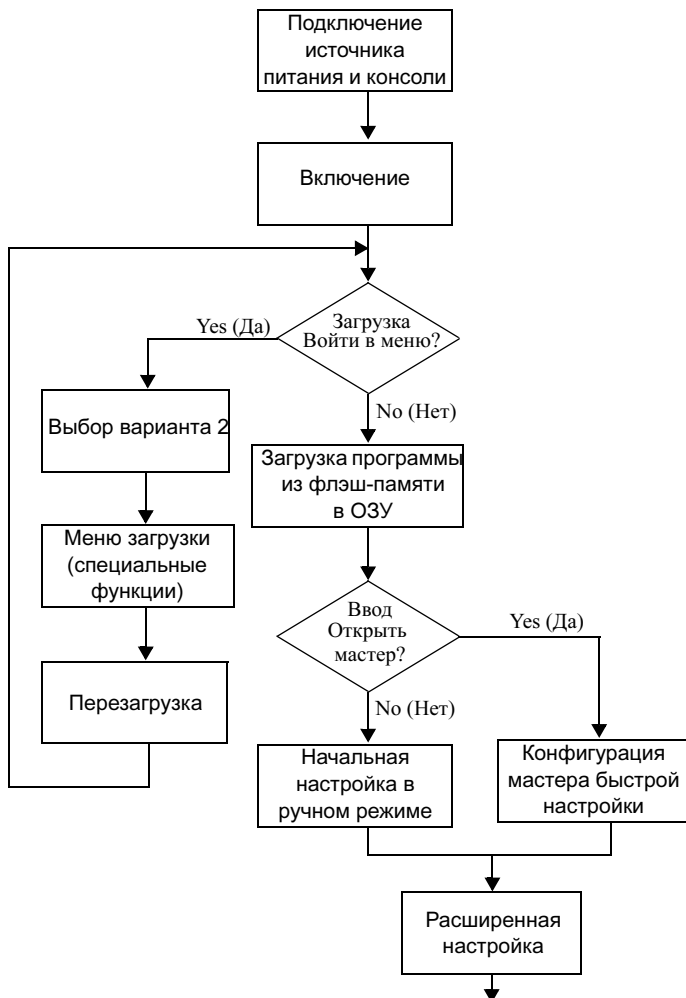


- 2 После установки реек коммутатора, выставьте их напротив заранее смонтированных реек Ready-Rails и задвиньте коммутатор заподлицо с передней панелью стойки. Приблизительно за 10 см до полного задвигания сработает защелка, которая защищает коммутатор от случайного выпадения из стойки.

Запуск и конфигурация коммутатора

На блок-схеме ниже показана процедура начальной настройки после распаковки и установки коммутатора.

Рисунок 8. Схема процедур установки и настройки



Подключение коммутатора к терминалу

После выполнения всех внешних соединений подключите терминал к коммутатору, чтобы сконфигурировать коммутатор.



ПРИМЕЧАНИЕ: Прежде чем приступить к выполнению, прочтите информацию о версии для данного продукта. Ее можно найти на веб-сайте технической поддержки по адресу **support.dell.com**.



ПРИМЕЧАНИЕ: Рекомендуется загружать самую новую версию документации для пользователей с веб-сайта технической поддержки Dell по адресу **support.dell.com**.

Для контроля и настройки коммутатора с помощью консоли используйте консольный порт RJ45 на задней панели коммутатора для подключения к терминалу VT100 или компьютеру, использующему программное обеспечение эмуляции терминала VT100. Консольный порт представляет собой разъем для оборудования терминала данных (DTE).

Для использования консольного порта необходимы следующее оборудование.

- VT100-совместимый терминал либо настольная или портативный компьютер с последовательным портом и программное обеспечение эмуляции терминала VT100, например, Microsoft HyperTerminal.
- Поставляемый последовательный кабель с разъемом RJ45 для консольного порта и разъем DB9 для терминала.

Чтобы подключить терминал к консольному порту коммутатора, выполните описанные ниже действия.

- 1 Подсоедините разъем DB9 на последовательном кабеле к терминалу или компьютеру, использующему программное обеспечение эмуляции терминала VT100.
- 2 Настройте программное обеспечение эмуляции терминала следующим образом.
 - a Для подключения к консоли выберите подходящий последовательный порт (например, COM 1).
 - b Установите скорость передачи 9600 бод.
 - c Установите формат данных следующим образом: 8 битов данных, 1 стоповый бит, отсутствие контроля по четности.
 - d Для параметра «Управление потоком» выберите значение «Нет».

- e Установите режим эмуляции терминала **VT100**.
- f Выберите Клавиши терминала для следующих клавиш:
Функциональные, со стрелками и Ctrl. Убедитесь, что настройка выполнена для клавиш терминала (а не для клавиш Microsoft Windows).



ПРИМЕЧАНИЕ: При использовании «HyperTerminal» в Microsoft Windows 2000 убедитесь, что установлена версия Windows 2000 с пакетом обновления 2 или более поздняя. При использовании Windows 2000 с пакетом обновления 2 клавиши со стрелками работают должным образом в эмуляции «HyperTerminal» VT100. Перейдите по адресу **www.microsoft.com** для получения дополнительной информации о пакетах обновления для Windows 2000.

- 3 Подключите разъем RJ45 на кабеле непосредственно к консольному порту RJ45 PowerConnect 81xx, расположенному на задней панели коммутатора.

Загрузка коммутатора

При включении питания запускается процедура самопроверки коммутатора (POST). Процедура POST запускается каждый раз при инициализации коммутатора. При ее выполнении проверяются компоненты аппаратного обеспечения, чтобы перед полной загрузкой коммутатора определить, находится ли он в рабочем режиме. Если в процессе самопроверки (POST) обнаружена критическая ошибка, загрузка программы прекращается. Если процедура POST проходит успешно, в ОЗУ загружается действительное встроенное программное обеспечение. Сообщения POST выводятся на терминал и информируют об успешном завершении теста или сбое. Процесс загрузки занимает приблизительно 60 секунд.

Если подключен локальный терминал, после выполнения первой части процедуры POST можно вызвать меню загрузки. В меню загрузки можно выполнять различные действия по конфигурированию, например, вернуться к заводским настройкам, активировать образ для резервного восстановления или восстановить пароль. Дополнительные сведения о функциях меню загрузки можно найти в *Справочном руководстве по использованию командной строки*.

Выполнение первоначальной настройки

Ниже описываются допущения, используемые при первоначальной конфигурации.

- Коммутатор PowerConnect никогда не настраивался прежде и находится в том же состоянии, в каком был получен.
- Коммутатор PowerConnect загружается успешно.
- Подключение панели управления выполнено, и на экране терминала VT100 или его эквивалента отображается запрос **мастера быстрой настройки Dell**.

Первоначальная настройка коммутатора выполняется через консольный порт. После выполнения первоначальной настройки можно управлять коммутатором через заранее подключенный консольный порт или посредством удаленного подключения.



ПРИМЕЧАНИЕ: Для коммутатора не настроено имя пользователя, пароль и IP-адрес по умолчанию.

Прежде чем выполнить первоначальную настройку коммутатора, необходимо получить у администратора сети следующие сведения:

- IP-адрес, предназначенный для выделенного интерфейса (OOB) управления устройством.
- маска подсети IP для интерфейса OOB.
- IP-адрес шлюза по умолчанию интерфейса OOB.

Эти настройки необходимы для удаленного управления коммутатором через Telnet (клиент Telnet) или HTTP (веб-браузер).

Процедура начальной конфигурации

Первоначальную настройку можно выполнить с помощью **Мастера быстрой настройки Dell** или командной строки. Этот мастер включается автоматически, если файл конфигурации коммутатора не содержит данных. Вы можете выйти из мастера в любое время нажатием клавиш [ctrl+z], но все указанные настройки будут сброшены, а коммутатор будет использовать значения по умолчанию.



ПРИМЕЧАНИЕ: Если вы запустили мастер быстрой настройки или не отвечаете на его запрос в течение 60 секунд, коммутатор входит в режим командной строки.

Подробную информацию о процедуре первоначальной настройки с помощью командной строки можно найти в *Справочном руководстве по использованию командной строки*. В *руководстве по началу работы* описано, как выполнить первоначальную настройку с помощью мастера быстрой настройки. Мастер позволяет настроить следующую конфигурацию для коммутатора.

- Создает учетную запись привилегированного пользователя с действительным паролем. Мастер конфигурирует учетную запись привилегированного пользователя во время настройки.
- Создает имя пользователя для интерфейса командной строки и открывает доступ по протоколу HTTP для использования локальных параметров идентификации.
- Устанавливает IP-адрес для интерфейса OOB.
- Задает строку имени и пароля SNMP для использования менеджером SNMP по указанному IP-адресу. Если управление SNMP не используется для данного коммутатора, можно пропустить это действие.

Пример

В данном разделе описан пример настройки с помощью мастера. В примере использованы следующие значения.



ПРИМЕЧАНИЕ: Если у вас новый коммутатор или вы вернули его к заводским настройкам, в нем отсутствуют имя пользователя, пароль и IP-адрес.

- Протокол SNMP не включен.
- Вводится имя пользователя по умолчанию, "**root**", и пароль "**admin123**". В мастере не отображается введенный пароль.
- Интерфейс управления OOB использует для назначения IP-адрес **192.168.2.1**.



ПРИМЕЧАНИЕ: В приведенном ниже примере возможные варианты и значения по умолчанию указаны в квадратных скобках. Если нажать <Enter> (Ввод), не задав значения, подтверждается выбор значения по умолчанию. Текст справки находится в круглых скобках.

Следующий пример содержит последовательность запросов и ответов, связанных с выполнением примера сеанса **мастера быстрой настройки Dell**. Используются приведенные выше значения.

После того как коммутатор завершит процесс POST и перезагрузится, отобразится следующий текст.

```
(Unit 1-Waiting to select management unit)>
```

```
Applying Global configuration, please wait ...
```

```
Welcome to Dell Easy Setup Wizard
```

```
The Setup Wizard guides you through the initial switch configuration, and gets you up and running as quickly as possible. You can skip the setup wizard, and enter CLI mode to manually configure the switch. You must respond to the next question to run the setup wizard within 60 seconds, otherwise the system will continue with normal operation using the default system configuration. Note: You can exit the setup wizard at any point by entering [ctrl+z].
```

```
Would you like to run the setup wizard (you must answer this question within 60 seconds)? [Y/N] y
```

First:

Do you want to select the operational mode as Simple Mode? [Y/N] **y**

Step 1:

The system is not setup for SNMP management by default. To manage the switch using SNMP (required for Dell Network Manager) you can

- . Set up the initial SNMP version 2 account now.
- . Return later and setup other SNMP accounts. (For more information on setting up an SNMP version 1 or 3 account, see the user documentation).

Would you like to setup the SNMP management interface now? [Y/N] **n**

Step 2:

Now we need to setup your initial privilege (Level 15) user account. This account is used to login to the CLI and Web interface. You may setup other accounts and change privilege levels later. For more information on setting up user accounts and changing privilege levels, see the user documentation.

To setup a user account:

Please enter the user name. [root]:

Please enter the user password:

Please reenter the user password:

Step 3:

Next, IP addresses are setup on the OOB (Out-Of-Band) Interface and/or the VLAN1 routing interface.

You can use these IP addresses to access the CLI, Web interface, or SNMP interface of the switch.

To access the switch through any Management Interface you can

- . Setup the IP address for the Management Interface.
- . Setup the default gateway if IP address is manually configured on both routing and OOB interface.

Would you like to setup the Out-Of-Band interface now?
[Y/N] **y**

Please enter the IP address of the device (A.B.C.D) or enter "DHCP" (without the quotes) to automatically request an IP address from the network DHCP server.
[192.168.2.1]:

Please enter the IP subnet mask (A.B.C.D or /nn).
[255.255.255.0]:

This is the configuration information that has been collected:

Operational Mode = Simple

User Account setup = root

Password = *****

Out-of-band IP address = 192.168.2.1 255.255.255.0

Final Step:

If the information is correct, please enter (Y) to save the configuration, and copy the settings to the start-up configuration file. If the information is incorrect, enter (N) to discard the configuration and restart the wizard: [Y/N] **y**

Thank you for using the Dell Easy Set up Wizard. You will now enter CLI mode.

Applying Interface configuration, please wait ...

console>

Следующие шаги

После выполнения первоначальной настройки, описанной в данном разделе, можно подключить любой порт на передней панели к сети предприятия и -управлять ею удаленно.

Если вы указали для IP-адреса выделенного интерфейса управления протокол DHCP, интерфейс получит IP-адрес из DHCP-сервера в сети. Чтобы определить динамически назначаемый IP-адрес, подключитесь к консольному порту и выполните команду:

show ip interface out-of-band.

Чтобы получить доступ к интерфейсу **Администратора коммутатора Dell OpenManage**, введите IP-адрес для интерфейса управления OOB в адресную строку веб-браузера. Чтобы получить доступ к дистанционному управлению с помощью командной строки, введите IP-адрес интерфейса управления OOB в клиенте Telnet или SSH. Также для локального доступа к коммутатору с помощью командной строки можно продолжать использовать консольный порт.

Коммутатор PowerConnect 81xx поддерживает основные протоколы для подключения, в том числе VLAN, 802.1X, RADIUS и TACACS+.

Дополнительные сведения о функциях в простом режиме можно найти в *техническом описании "Простой режим коммутации": функция организатора портов (Port Aggregator)*.

Если же коммутатор настроен для работы в обычном режиме, он может поддерживать такие функции, как протокол составного дерева (STP), а также дополнительные функции 3-го уровня, например, динамическую маршрутизацию и групповую передачу (Multicast). Чтобы выполнить настройки, необходимые для вашей сети, воспользуйтесь веб-интерфейсом управления или командной строкой. Как настроить различные функции коммутатора, можно узнать в *Руководстве по настройке для пользователей* или *Справочном руководстве по использованию командной строки*, которые можно найти на сайте технической поддержки по адресу **support.dell.com/support**.

Conmutador Dell PowerConnect Serie 81xx Guía de introducción

**Modelo reglamentario: PC8132, PC8132F,
PC8164, PC8164F**



Notas



NOTA: Una NOTA proporciona información importante que le ayudará a utilizar mejor el equipo.



PRECAUCIÓN: Un mensaje de PRECAUCIÓN indica la posibilidad de daños en el hardware o la pérdida de datos si no se siguen las instrucciones.

La información contenida en esta publicación puede modificarse sin previo aviso.

© 2012 Dell Inc. Reservados todos los derechos.

Queda estrictamente prohibida la reproducción de este material en cualquier forma sin la autorización escrita de Dell Inc.

Marcas comerciales utilizadas en este texto: Dell™, el logotipo de DELL, PowerConnect™ y OpenManage™, ReadyRails™ y Torx™ son marcas comerciales de Dell Inc. Microsoft® y Windows® son marcas comerciales registradas de Microsoft Corporation en los Estados Unidos o en otros países.

Otras marcas y otros nombres comerciales pueden utilizarse en esta publicación para hacer referencia a las entidades que los poseen o a sus productos. Dell Inc. renuncia a cualquier interés sobre la propiedad de marcas y nombres comerciales que no sean los suyos.

Modelo reglamentario PC8132, PC8132F, PC8164, PC8164F

Febrero de 2012 N/P JHCTM Rev. A00

Contenido

1	Introducción	287
	Característica	287
2	Información general sobre el hardware	288
	Panel frontal	290
	Puertos fijos de enlace ascendente SFP cuádruples	290
	Ranura de expansión	291
	Interfaz UART	291
	Indicadores LED del sistema	292
3	Instalación	294
	Preparación del emplazamiento	294
	Desembalaje del conmutador	294
	Contenido del paquete	294
	Pasos del desembalaje	295
	Montaje del conmutador en rack	295
	Consideraciones de seguridad para el montaje en rack	296
	Montaje del sistema Dell ReadyRails	296
	Montaje del conmutador	301

4	Inicio y configuración del conmutador .	302
	Conexión de un conmutador a un terminal	303
	Inicio del conmutador	304
	Realización de la configuración inicial	304
	Procedimiento de configuración inicial	305
	Ejemplo de sesión.	306
	Pasos siguientes	311

Introducción

Este documento proporciona información básica sobre la serie de conmutadores Dell PowerConnect 81xx, PC8132, PC8132F, PC8164, PC8164F, incluidos los procedimientos de instalación y configuración inicial de los mismos. Para obtener información sobre cómo configurar y supervisar las funciones del conmutador, consulte la *Guía de configuración del usuario*, que está disponible en la página web de asistencia de Dell (support.dell.com/support), donde encontrará las últimas actualizaciones de la documentación y el firmware.

Este documento contiene las secciones siguientes:

- Información general sobre el hardware
- Instalación
- Inicio y configuración del conmutador

Característica

Los PowerConnect serie 8100 son conmutadores con alta escalabilidad que proporcionan funciones de red ininterrumpidamente para implantaciones de 10 GbE de conmutación principal y de adición de campus. La familia de conmutadores de capa 3 logran una velocidad de cable de 10/40 GbE, que es la necesaria para alimentar infraestructuras de tipo Business y Enterprise, aportando funcionamiento de 10 GbE de alta densidad y escalabilidad con administración simplificada.

La serie PC8100 proporciona gran disponibilidad y redundancia para implantaciones principales reducidas y de adición que permiten a la red lograr un funcionamiento de 10 GbE de alta densidad y de 40 GbE para una implantación principal de tipo Enterprise. Esta familia proporciona apilamiento de alta densidad con puertos de 10GbE o 40GbE, administrable como unidad lógica única, y redundancia con fuentes de alimentación, ventiladores e imágenes de firmware. La administración simplificada incluye una función USB Rapid Deployment (implantación rápida mediante USB) que permite acelerar el direccionamiento de red y, al mismo tiempo, simplificar las instalaciones de imágenes de firmware en el conjunto de la pila. Las opciones de administración flexible incluyen una CLI estándar, administración remota mediante el servidor web incorporado, y soporte para aplicaciones de administración basadas en SNMP, entre las que se incluye Dell OpenManage Network Manager.

La familia PC8100 incluye soporte para redes de almacenamiento y optimización de iSCSI. Para simplificar la conectividad con matrices Dell EqualLogic, la función de configuración automática de iSCSI, que incluye la serie 8100, detecta automáticamente las matrices y configura el conmutador para lograr el rendimiento óptimo. Esta función está activada de forma predeterminada, simplificando el proceso a sólo conectar un cable. La simplificación de la conectividad con matrices Dell Compellent se logra con una configuración de un sólo comando.

Dell ha diseñado PowerConnect serie 8100 para que ahorre energía desde el cable de alimentación hasta los puertos; por ello, utiliza puertos compatibles con EEE, que reducen el consumo de energía activo y pasivo de todos los puertos. A las fuentes de alimentación redundantes que pueden funcionar eficientemente en todos los modos, se suma el uso de ventiladores de velocidad variable que, con la ayuda de monitores de temperatura, pueden ajustar su velocidad al entorno. Por último, la familia PC8100 incluye la garantía limitada durante el tiempo de vida de Dell con servicio de hardware básico (reparación o sustitución) de por vida.

Información general sobre el hardware

Esta sección contiene información sobre las características de los dispositivos y las configuraciones de hardware de los módulos correspondientes a los conmutadores PowerConnect 81xx.

PowerConnect 81xx tiene las siguientes dimensiones físicas:

- 440 x 460 x 44 mm (ancho x largo x alto)
- 17,32 x 18,11 x 1,73 pulgadas (ancho x largo x alto).

PowerConnect 81xx tiene un diseño de chasis con cuatro tipos de soluciones y ancho de banda de conmutación de 640 Gbps y 320 Gbps como se especifica a continuación:

- 1 PC8132F: SFP de 24 puertos + 10G + módulo de extensión de 40G/80G
- 2 PC8164F: SFP de 48 puertos + 10G + QSFP de 40G de 2 puertos + módulo de extensión de 40G/80G
- 3 PC8132: 10GBaseT de 24 puertos + módulo de extensión de 40G/80G

- 4 PC8164: 10GBaseT de 48 puertos + QSFP de 40G de 2 puertos + módulo de extensión de 40G/80G

Las ranuras del módulo pueden conectarse en tres tipos de módulos:

- SFP+
- 10G Base-T
- QSFP+

El sistema también proporciona un puerto de consola del tipo RJ45 de interfaz RS-232 y un puerto de servicio Ethernet dedicado para funciones de administración OOB.

El conmutador PC81xx tiene las siguientes características:

- Soporte para un puerto USB
- Cuarenta y ocho puertos de 10 Gbps para transceptores de 1G/10G
- Dos puertos QSFP de 40 Gbps fijos para transceptores de 40G
- Una ranura de expansión de 80 Gbps para módulos SFP+, Base-T de 10G y QSFP+
- Sistema de CPU de alto rendimiento incorporado de gran memoria RAM DDR III XLP308H/256 MB o Flash/2 GB.
- Supervisión de temperatura (TMP75)
- Monitor térmico de lectura por software
- Soporte para RTC (reloj en tiempo real)
- Fuente de alimentación redundante de acoplamiento activo
- Supervisión actualizada para administración de energía
- El ventilador es extraíble y puede administrarse
- Chasis de 1U de alto estándar

Panel frontal


La siguiente imagen muestra el panel frontal de PowerConnect 81xx:

Ilustración 1. Panel frontal de PowerConnect 81xx



El panel frontal incluye:

- 24/48 puertos SFP+ o Base-T de 10G fijos
- Puerto de administración
- Puerto USB 2.0

 **NOTA:** Los indicadores LED del estado del sistema, ventilador y alimentación se encuentran en el panel posterior.

Puertos fijos de enlace ascendente SFP cuádruples

Los modelos PC8164 y PC8164F incluyen dos puertos QSFP fijos, con las siguientes características:

- Cuatro puertos de 10G con cable de transición cuádruple (QBO).
- Un puerto de 40G que admite transceptores CR4, SR4 y LR4
- Indicadores LED del estado de los puertos en panel frontal

Las conexiones de QSFP se pueden utilizar para apilamiento. La distancia entre los conmutadores apilados puede ser de hasta 100 m

 **NOTA:** Tenga en cuenta que los módulos QSFP sólo se pueden utilizar para los conmutadores de la serie PowerConnect 81xx.

Ranura de expansión

La ranura de expansión de 80 Gbps admite los siguientes módulos:

- SFP+ (cuatro puertos de 10G)
- 10G Base-T (cuatro puertos de 10G)
- QSFP+ (se puede configurar como dos puertos de 40G o hasta 8 de 10G)

Los módulos se venden por separado.

Interfaz UART

El puerto UART (siglas en inglés para transmisor receptor asíncrono universal) está diseñado según el estándar de la industria para dispositivos 16550 UART. El puerto UART proporciona funciones de comunicación serie, la cual permite la comunicación con el modelo u otros dispositivos externos mediante el protocolo RS-232. Un puerto serie proporciona una conexión directa al conmutador y permite acceder a la CLI desde un terminal de consola conectado al puerto a través del cable serie suministrado (con conectores RJ45 YOST a DB-9 hembra).

El puerto UART se configura individualmente y se puede ejecutar como enlace asíncrono de 1 200 a 4 millones de baudios.

La interfaz UART se puede programar con las siguientes opciones:

- 5, 6, 7 u 8 bits de caracteres
- 1, 1,5 o 2 bits de parada
- Opción de paridad
- Paridad par/impar (si la opción de paridad está activada)
- Paridad insistente (si la opción de paridad está activada)

Los valores predeterminados son: velocidad de baudios de 9 600, 8 bits de datos, sin paridad, 1 bit de parada y sin control de flujo.

Indicadores LED del sistema

El sistema incluye diodos emisores de luz (LED) que proporcionan información del estado del sistema, la temperatura, el diagnóstico, el ventilador, la pila y el localizador de la unidad PowerConnect 81xx. La Tabla 1 incluye las definiciones de los LED de estado:

Tabla 1. Definiciones de los LED del sistema

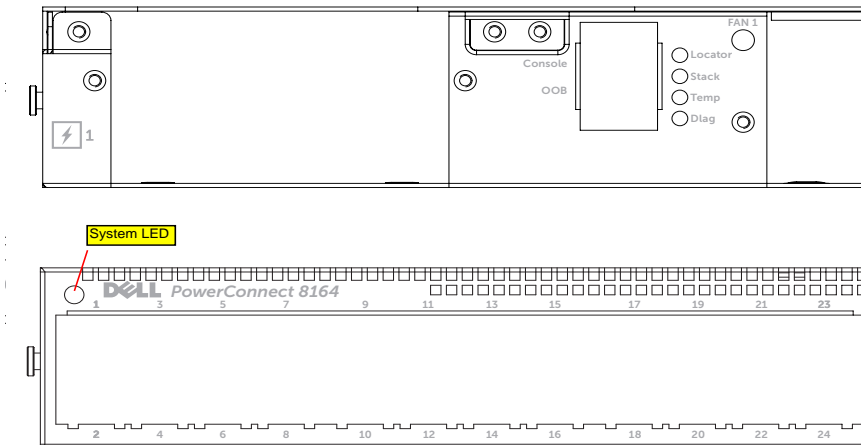
Característica	Descripción detallada	Comentario
LED del sistema	<ul style="list-style-type: none">• Azul continuo: funcionamiento normal• Azul parpadeante: iniciando• Rojo continuo: error grave del sistema• Rojo parpadeante: error no crítico del sistema (fallo en el ventilador o en el sistema de alimentación)	En el panel frontal
LED de temperatura	<ul style="list-style-type: none">• Apagado: temperatura normal• Luz ámbar continua: sobrecalentamiento^a	En el panel posterior
LED de diagnóstico	<ul style="list-style-type: none">• Apagado: funcionamiento normal• Verde parpadeante: prueba de diagnóstico en curso	En el panel posterior
LED de ventilador	<ul style="list-style-type: none">• Verde fijo: ventilador con las R.P.M. correctas• Rojo fijo: fallo en el ventilador	En el panel posterior

Tabla 1. Definiciones de los LED del sistema (continuación)

Característica	Descripción detallada	Comentario
LED de pila	<ul style="list-style-type: none"> • Azul fijo: conmutador en modo de apilamiento • Verde fijo: conmutador en modo esclavo de apilamiento • Apagado: conmutador en modo independiente 	En el panel posterior
LED localizador	<ul style="list-style-type: none"> • Azul parpadeante: la función del localizador está activada • Azul fijo: la función del localizador está desactivada 	En el panel posterior

a. El umbral de temperatura del sistema de sensores térmicos es de 75°C. Si se supera este umbral, el LED de temperatura (Temp) pasa a color ámbar.

Ilustración 2. LED de los puertos



Instalación

Preparación del emplazamiento

Antes de instalar los conmutadores, asegúrese de que la ubicación elegida cumpla los requisitos siguientes:

- **Espacio libre:** existe espacio libre suficiente delante y detrás del equipo para permitir el acceso del operador. Deje espacio libre para el cableado, las conexiones de alimentación y la ventilación.
- **Cableado:** el cableado está canalizado para evitar fuentes de ruido eléctrico, como radiotransmisores, amplificadores de transmisión, líneas de alimentación e instalaciones fijas de luz fluorescente.
- **Temperatura ambiente:** el intervalo de temperatura ambiente de funcionamiento del conmutador es de 10 a 35 °C (de 50 a 95 °F).



NOTA: Para altitudes superiores a los 900 m (2 955 pies), debe reducirse la temperatura en 1 °C (1,8 °F) cada 300 m (985 pies).

- **Humedad relativa:** la humedad relativa de funcionamiento es de 8 a 85% (sin condensación), con una gradación de humedad máxima del 10% por hora.

Desembalaje del conmutador

Contenido del paquete

Cuando desembale los conmutadores, compruebe que se han incluido los elementos siguientes:

- Un conmutador PowerConnect
- Un cable RJ45 a DB-9 hembra
- Dos juegos de kits de rieles (no se precisan herramientas)
- Dos PSU (en embalaje individual)
- Dos cables de alimentación de CA (específicos para el país o región)
- *Guía de introducción*
- *Información sobre normativas y seguridad*

- *Información sobre garantía y asistencia*
- *Acuerdo de licencia de software*

Pasos del desembalaje



NOTA: Antes de desembalar el conmutador, examine el contenedor e informe inmediatamente de cualquier daño.

- 1 Coloque el contenedor en una superficie plana y limpia, y corte todas las tiras que sujetan el contenedor.
- 2 Abra el contenedor o extraiga la parte superior de éste.
- 3 Con cuidado, extraiga el conmutador del contenedor y colóquelo en una superficie estable y limpia.
- 4 Retire todo el material de embalaje.
- 5 Compruebe que el conmutador y los accesorios no estén dañados.

Montaje del conmutador en rack

Puede ubicar el conmutador en la plataforma del rack, o montar el conmutador directamente en un rack de 48,26 cm que cumpla la especificación EIA-310-E (cuatro postes, dos postes o métodos de roscado). El sistema Dell ReadyRails™ viene preparado para instalaciones en rack frontal 1U y de dos postes. El sistema ReadyRails incluye dos ensamblajes de rieles y dos rieles, en sus respectivos embalajes, que vienen pegados en los laterales del conmutador.



ADVERTENCIA: Este documento es una referencia resumida. Lea las instrucciones de seguridad incluidas en el folleto **Safety, Environmental, and Regulatory Information (Información sobre seguridad, medio ambiente y normativas)** antes de empezar.



NOTA: Las ilustraciones de este documento no representan un conmutador específico.

Consideraciones de seguridad para el montaje en rack

- Carga del rack: si se sobrecargan los racks, o el peso está repartido de forma desigual, la plataforma o el rack podrían ceder, con el consiguiente daño material o físico. Establezca los racks en una ubicación permanente antes de cargarlos. Monte los componentes comenzando por la parte inferior del rack y siga la carga hacia arriba. No supere la especificación de carga del rack.
- Consideraciones sobre alimentación eléctrica: conecte el sistema sólo a la fuente especificada en la unidad. Si existen varios componentes eléctricos instalados en un rack, asegúrese de que la alimentación total de los componentes no supere las capacidades del circuito. La sobrecarga de fuentes de alimentación y de alargadores pueden presentar riesgos de incendios o descargas.
- Temperatura ambiente elevada: si se instala en un conjunto de rack cerrado, es posible que la temperatura ambiente de funcionamiento del entorno del rack sea más alta que la temperatura ambiente del lugar. La temperatura ambiente máxima de 50 grados C del conmutador no se debe superar.
- Flujo de aire reducido: instale el equipo en el rack sin comprometer el flujo de aire necesario para el funcionamiento seguro del equipo.
- Conexión a tierra fiable: un equipo montado en rack debe contar con una conexión a tierra fiable. Debe prestarse especial atención a las conexiones del suministro que no sean conexiones directas al circuito derivado, por ejemplo: el uso de regletas de enchufes.
- El producto no se debe montar con su parte trasera hacia abajo.

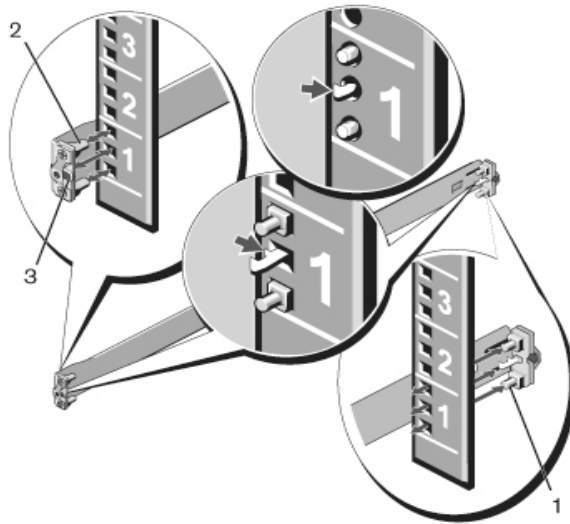
Montaje del sistema Dell ReadyRails

El sistema de montaje en rack ReadyRails permite una fácil configuración del rack para la instalación del conmutador. El sistema ReadyRails se puede instalar mediante el método sin herramientas 1U, o uno de los tres métodos con 1U utilizando herramientas (montaje a ras de dos postes, montaje centrado de dos postes o montaje roscado de cuatro postes).

Configuración sin herramientas 1U (orificio cuadrado de cuatro postes o orificio redondo sin rosca)

- 1 Con las pestañas laterales del ReadyRails orientadas hacia afuera, coloque un riel entre los postes verticales derecho e izquierdo. Alinee y encaje las espigas del riel de la parte posterior en la parte trasera del poste vertical. En la Ilustración 3, el elemento 1 y sus extracciones ilustran cómo aparecen las espigas en los orificios cuadrados y en los redondos sin rosca.

Ilustración 3. Configuración 1U sin herramientas

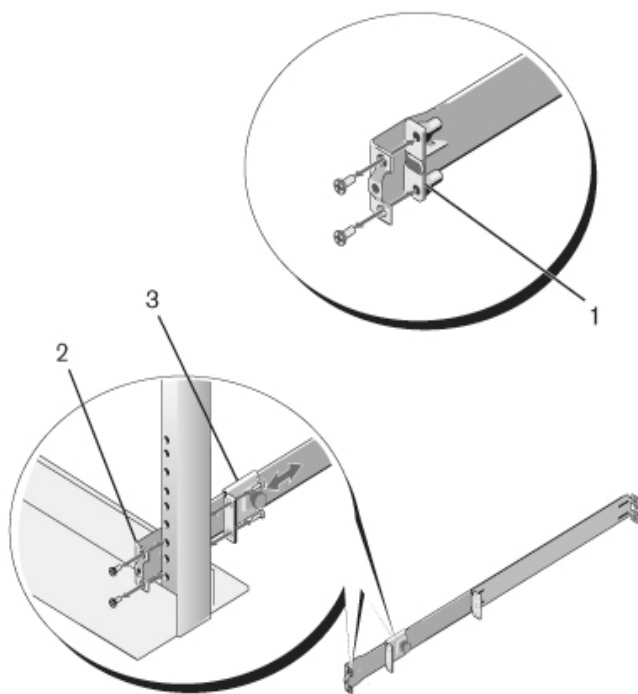


- 2 Alinee y encaje las espigas de la parte frontal en los orificios de la parte frontal del poste vertical. Consulte la Ilustración 3, elemento 2.
- 3 Repita este paso para el segundo riel.
- 4 Para extraer un riel, tire del botón de liberación del pestillo de las pestañas laterales y desencaje el riel. Consulte la Ilustración 3, elemento 3.

Configuración de montaje a ras de dos postes

- 1 Para esta configuración, se deben extraer las piezas fundidas de la parte frontal de cada ensamblaje de ReadyRails. Consulte la Ilustración 4, elemento 1 en la página 298. Utilice un destornillador Torx para extraer los dos tornillos de cada pestaña de la parte frontal (en el lado del conmutador del riel) y retire las piezas fundidas. Conserve estas piezas para futuras necesidades del rack. No es necesario extraer las piezas fundidas de la parte trasera.

Ilustración 4. Configuración de montaje a ras de dos postes



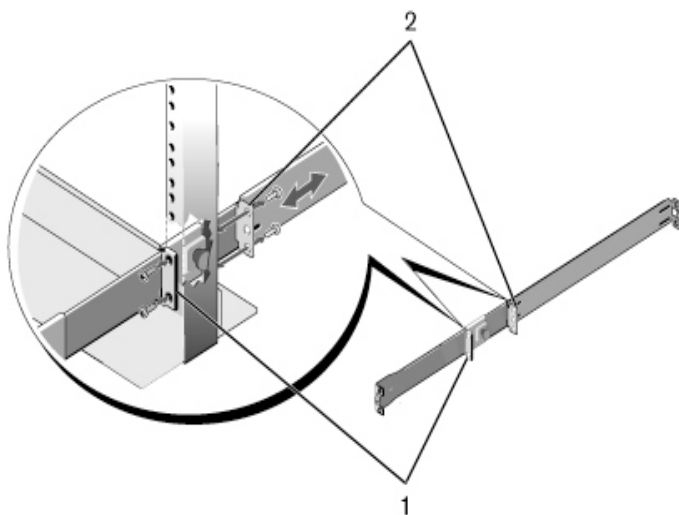
- 2 Monte un riel en la parte frontal del poste con dos tornillos suministrados por el usuario. Consulte la Ilustración 4, elemento 2.

- 3 Deslice el soporte del fiador hacia el poste vertical y fíjelo al mismo con dos tornillos suministrados por el usuario. Consulte la Ilustración 4, elemento 3.
- 4 Repita este paso para el segundo riel.

Configuración de montaje centrado de dos postes

- 1 Deslice el soporte del fiador hacia atrás hasta que se encaje en su lugar con un chasquido para, entonces, fijarlo en la parte frontal del poste con dos tornillos suministrados por el usuario. Consulte la Ilustración 5, elemento 1.

Ilustración 5. Configuración de montaje centrado de dos postes

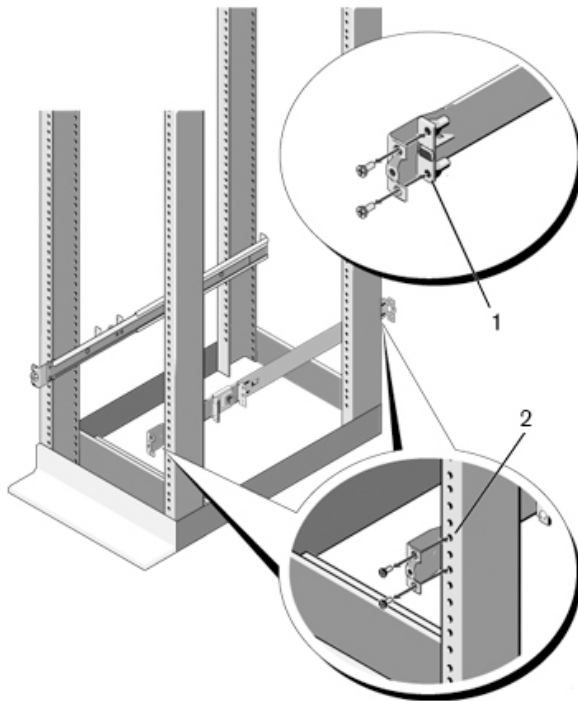


- 2 Deslice el soporte trasero hacia el poste y fíjelo a éste con dos tornillos suministrados por el usuario. Consulte la Ilustración 5, elemento 2.
- 3 Repita este paso para el segundo riel.

Configuración de montaje roscado de cuatro postes

- 1 Para esta configuración, se deben extraer las piezas fundidas de las pestañas laterales situadas a cada lado de los ensamblajes del ReadyRails. Utilice un destornillador Torx para extraer los dos tornillos de cada pestaña lateral y extraiga las piezas fundidas. Consulte la Ilustración 6, elemento 1 en la página 300. Conserve estas piezas para futuras necesidades del rack.
- 2 En cada riel, fije las partes frontal y trasera al poste con dos tornillos suministrados por el usuario en cada extremo. Consulte la Ilustración 6, elemento 2 en la página 300.

Ilustración 6. Configuración de montaje roscado de cuatro postes



Montaje del conmutador

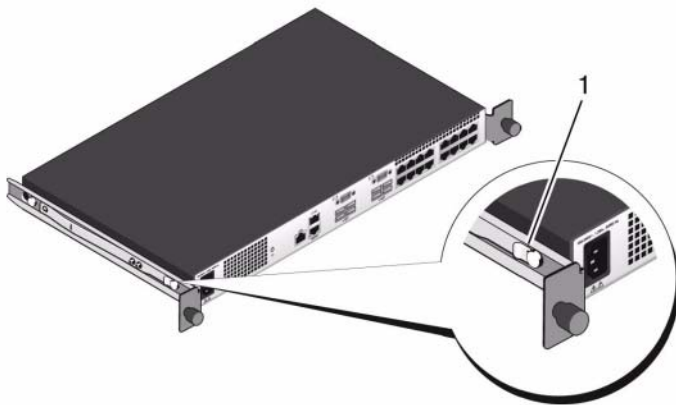
El conmutador se puede montar en dos configuraciones: rack frontal 1U o dos postes 1U (a ras o centrado). El siguiente es un ejemplo de una configuración de rack frontal 1U. En las configuraciones de dos postes 1U (a ras y centrado), puede deslizar el conmutador en los rieles del mismo modo que en las configuraciones de cuatro postes.

Montaje de rack frontal 1U

Se deben adaptar los rieles que se fijan al conmutador.

- 1 Fije los rieles del conmutador (parte interna del chasis) al conmutador PC81xx. El elemento 1 de la Ilustración 7 muestra el detalle del separador frontal con lengüeta de bloqueo.

Ilustración 7. Cómo fijar los rieles del conmutador

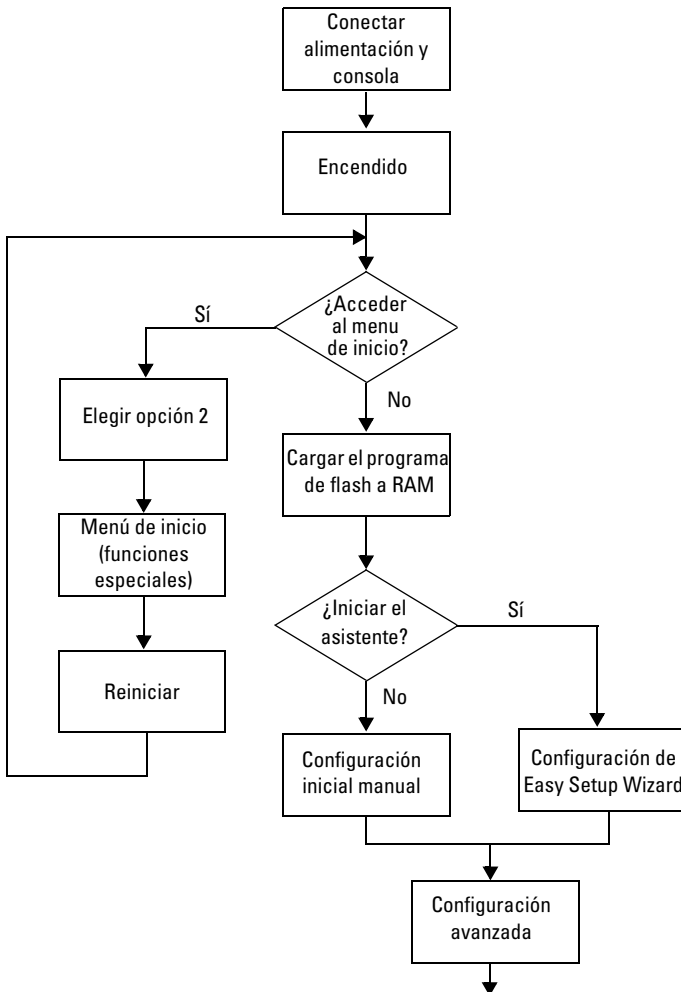


- 2 Tras instalar ambos rieles del conmutador, alinéelos con los Ready-Rails ya montados en el rack y deslice el conmutador hasta que quede a ras de la parte frontal del rack. Antes de llegar a una inserción completa, a unos 7,5 cm, se activará la función de bloqueo del riel para evitar que el conmutador se caiga del rack.

Inicio y configuración del conmutador

En el diagrama de flujo siguiente se proporciona información general sobre los pasos necesarios para realizar la configuración inicial una vez que se ha desembalado y montado el conmutador.

Ilustración 8. Diagrama de flujo de la instalación y la configuración



Conexión de un conmutador a un terminal

Una vez realizadas todas las conexiones externas, conecte un terminal a un conmutador para configurar el conmutador.



NOTA: Antes de continuar, lea las notas de la versión de este producto. Puede descargar las notas de la versión desde la página web de asistencia de Dell en support.dell.com/support.



NOTA: Se recomienda descargar la versión más reciente de la documentación del usuario que encontrará en la página web de asistencia de Dell en support.dell.com/support.

Para supervisar y configurar el conmutador mediante la consola serie, utilice el puerto de consola RJ45 de la parte posterior del conmutador para conectarlo a un terminal VT100 o a un ordenador que ejecute software de emulación de terminal VT100. El puerto de consola se implementa como un conector de equipo terminal de datos (DTE).

Para utilizar el puerto de consola, se requiere lo siguiente:

- Un terminal compatible con VT100 o un equipo de escritorio o portátil con un puerto serie que ejecute software de emulación de terminal VT100, como por ejemplo Microsoft HyperTerminal.
- Un cable serie (suministrado) con un conector RJ45 para el puerto de consola y un conector DB-9 para el terminal.

Para conectar un terminal al puerto de consola del conmutador, lleve a cabo los siguientes pasos:

- 1 Enchufe el conector DB-9 del cable serie en el terminal o equipo que ejecuta software de emulación de terminal VT100.
- 2 Configure el software de emulación de terminal de la siguiente manera:
 - a Seleccione el puerto serie adecuado (por ejemplo, COM 1) para la conexión a la consola.
 - b Establezca la velocidad de datos en 9 600 baudios.
 - c Establezca el formato de datos en 8 bits de datos, 1 bit de parada y sin paridad.
 - d Establezca el valor del control de flujo como ninguno.
 - e Establezca el modo de emulación de terminal en VT100.

- f Seleccione las teclas de terminal para las teclas de función, flecha y Ctrl. Asegúrese de que configura Teclas de terminal y no Teclas de Microsoft Windows.



NOTA: Si utiliza HyperTerminal con Microsoft Windows 2000, debe tener instalado Windows 2000 Service Pack 2 o posterior. Con Windows 2000 Service Pack 2, las teclas de flecha funcionan correctamente en la emulación VT100 de HyperTerminal. Vaya a microsoft.com para obtener más información sobre los Service Pack de Windows 2000.

- 3 Conecte el conector RJ45 del cable directamente al puerto de consola de PowerConnect 81xx ubicado en la parte posterior del conmutador.

Inicio del conmutador

Cuando el conmutador empieza a recibir suministro eléctrico, realiza una autoprueba de encendido (POST). La POST se ejecuta cada vez que se inicializa el conmutador y comprueba los componentes de hardware para determinar si es totalmente funcional antes del inicio completo. Si la POST detecta un problema crítico, el flujo de programa se detiene. Si la POST se ejecuta correctamente, se carga el firmware válido en la RAM. Se muestran mensajes de la POST en el terminal que indican si la prueba ha finalizado correctamente o no. El proceso de inicio dura aproximadamente 60 segundos.


Con el terminal local conectado, puede abrir el menú de inicio una vez completada la primera parte de la POST. Desde el menú de inicio, puede realizar tareas de configuración, como por ejemplo, restablecer el sistema a la configuración predeterminada de fábrica, activar la imagen de copia de seguridad o recuperar una contraseña. Para obtener más información sobre las funciones del menú de inicio, consulte la *Guía de referencia de la CLI*.

Realización de la configuración inicial

Para el procedimiento de configuración inicial, se da por sentado lo siguiente:

- El conmutador PowerConnect no se había configurado antes y se encuentra en el mismo estado que cuando se recibió.
- El conmutador PowerConnect se ha iniciado correctamente.
- La conexión de la consola se ha establecido y se muestra el indicador de **Easy Setup Wizard** (Asistente para instalación fácil) de Dell en la pantalla de un terminal VT100 o equivalente.

La configuración inicial del conmutador se lleva a cabo a través del puerto de consola. Después de la configuración inicial, puede administrar el conmutador desde el puerto de consola ya conectado o bien a través de una conexión remota.

 **NOTA:** El conmutador no está configurado con un nombre de usuario, contraseña o dirección IP predeterminados.


Antes de establecer la configuración inicial del conmutador, solicite esta información al administrador de la red:

- La dirección IP que se debe asignar a la interfaz fuera de banda (OOB) para la administración del dispositivo.
- La máscara de subred IP para la interfaz OOB.
- La dirección IP de la puerta de enlace predeterminada de la interfaz OOB.

Estos valores son necesarios para poder administrar de forma remota el conmutador mediante Telnet (cliente Telnet) o HTTP (explorador web).

Procedimiento de configuración inicial

La configuración inicial se puede realizar con el asistente **Easy Setup Wizard de Dell** o con la CLI. El asistente se inicia automáticamente cuando el archivo de configuración del conmutador está vacío. Puede cerrar el asistente en cualquier momento pulsando [Ctrl+z], pero se descartarán todos los valores de configuración que haya especificado, y el conmutador utilizará los valores predeterminados.

 **NOTA:** Si no ejecuta Easy Setup Wizard o no responde al indicador inicial de Easy Setup Wizard antes de 60 segundos, el conmutador entra en el modo de la CLI.


Para obtener más información sobre cómo realizar la configuración inicial mediante la CLI, consulte la *Guía de referencia de la CLI*. En esta *Guía de introducción*, se muestra cómo utilizar Easy Setup Wizard para realizar la configuración inicial del conmutador. El asistente realiza la configuración siguiente en el conmutador:

- Establece la cuenta inicial de usuario con privilegios y le otorga una contraseña válida. El asistente configura una cuenta de usuario con privilegios durante la configuración.
- Habilita el inicio de sesión de CLI y el acceso HTTP para el uso únicamente de la configuración de autenticación local.
- Configura la dirección IP para la interfaz OOB.


- Configura la cadena de comunidad SNMP que va a utilizar el administrador SNMP en una dirección IP determinada. Puede saltarse este paso si no utiliza la administración SNMP en este conmutador.

Ejemplo de sesión

En esta sección se describe una sesión con Easy Setup Wizard (Asistente para configuración fácil). En este ejemplo de sesión se utilizan los valores siguientes:

 **NOTA:** El conmutador, tal y como se entrega o con sus valores de fábrica, viene sin nombre de usuario, contraseña ni dirección IP.

- SNMP no está habilitado.
- Se acepta el nombre de usuario predeterminado, **root**, con la contraseña **admin123**. El asistente no muestra la contraseña mientras se introduce.
- La interfaz de administración OOB utiliza **192.168.2.1** para la asignación de la dirección IP.

 **NOTA:** En el ejemplo siguiente, las opciones de usuario posibles o los valores predeterminados se incluyen entre corchetes []. Si pulsa <Intro> sin definir opciones, se aceptará el valor predeterminado. El texto de ayuda se muestra entre paréntesis.

En el ejemplo siguiente, se muestra la secuencia de indicadores y respuestas asociados a la ejecución de un ejemplo de sesión de **Easy Setup Wizard de Dell** con los valores indicados anteriormente.

Cuando el conmutador finaliza la POST y se inicia, aparece el texto siguiente:

```
(Unit 1 - Waiting to select management unit) (Unidad 1 -
a la espera de seleccionar unidad de administración) >
```

```
Applying Global configuration, please wait ...
(Aplicando configuración global, espere...)
```

```
Welcome to Dell Easy Setup Wizard (Bienvenido al
Asistente para instalación de Dell)
```

```
The Setup Wizard guides you through the initial switch
configuration, and gets you up and running as quickly
as possible. You can skip the setup wizard, and enter
CLI mode to manually configure the switch. You must
respond to the next question to run the setup wizard
```

within 60 seconds, otherwise the system will continue with normal operation using the default system configuration. Note: You can exit the setup wizard at any point by entering [ctrl+z]. (Este asistente le guía por la configuración inicial del conmutador y le permite empezar a utilizarlo de la forma más rápida y sencilla posible. Puede optar por no utilizar el asistente para instalación y entrar en el modo de CLI para configurar el conmutador manualmente. Debe responder a la siguiente pregunta antes de 60 segundos para ejecutar el asistente de configuración; de lo contrario, el sistema continuará con el funcionamiento normal utilizando su configuración predeterminada. Nota: puede salir del asistente para instalación en cualquier momento; para ello, teclee [Ctrl+z].

Would you like to run the setup wizard (you must answer this question within 60 seconds)? (¿Desea ejecutar el asistente para instalación? Debe responder a esta pregunta antes de que transcurran 60 segundos.) [Y/N] **Y**

First: (Primero:)

Do you want to select the operational mode as Simple Mode? (¿Desea seleccionar el modo simple como modo operativo?) [Y/N] **Y**

Step 1: (Paso 1:)

The system is not setup for SNMP management by default. (El sistema no está configurado para la administración SNMP de forma predeterminada.) To manage the switch using SNMP (required for Dell Network Manager) you can (Para administrar el conmutador mediante SNMP, necesario para Dell Network Manager, puede)

- . Set up the initial SNMP version 2 account now. (Configurar ahora la cuenta de la versión 2 de SNMP inicial.)
- . Return later and setup other SNMP accounts. (Volver posteriormente y configurar otras cuentas de SNMP.) (For more information on setting up an SNMP version 1 or 3 account, see the user documentation). (Para obtener más información sobre la configuración de una cuenta de la versión 1 o 3 de SNMP, consulte la documentación del usuario).

Would you like to setup the SNMP management interface now? (¿Desea configurar la interfaz de administración SNMP ahora?) [Y/N] **n**

Step 2: (Paso 2:)

Now we need to setup your initial privilege (Level 15) user account. This account is used to login to the CLI and Web interface. You may setup other accounts and change privilege levels later. For more information on setting up user accounts and changing privilege levels, see the user documentation. (Ahora necesitamos configurar la cuenta de usuario de privilegio inicial (nivel 15). Esta cuenta se utiliza para iniciar sesión en la CLI y la interfaz web. Podría configurar otras cuentas y cambiar los niveles de privilegio más adelante. Para obtener información sobre cómo configurar cuentas de usuario y cambiar niveles de privilegio, consulte la documentación del usuario.)

To setup a user account: (Para configurar una cuenta de usuario:)

Please enter the user name. (Especifique el nombre de usuario.) [root]: ([raíz]:)

Please enter the user password: (Introduzca la contraseña del usuario:)

Please reenter the user password: (Vuelva a introducir la contraseña del usuario:)

Step 3: (Paso 3:)

Next, IP addresses are setup on the OOB (Out-Of-Band) Interface and/or the VLAN1 routing interface. (A continuación, se configuran las direcciones IP en la interfaz OOB, Out-Of-Band, fuera de banda, y la interfaz de enrutador VLAN1.)

You can use these IP addresses to access the CLI, Web interface, or SNMP interface of the switch. (Puede utilizar estas direcciones IP para acceder a la CLI, la interfaz Web o la interfaz SNMP del conmutador.)

To access the switch through any Management Interface you can (Para acceder al conmutador a través de Management Interface, puede)

- . Setup the IP address for the Management Interface.
- . Setup the default gateway if IP address is manually configured on both routing and OOB interface.

Would you like to setup the Out-Of-Band interface now? (¿Desea configurar la interfaz del Out-Of-Band ahora?) [Y/N] **Y** (

Please enter the IP address of the device (A.B.C.D) or enter "DHCP" (without the quotes) to automatically request an IP address from the network DHCP server. (Especifique la dirección IP del dispositivo, A.B.C.D, o especifique "DHCP", sin las comillas, para solicitar automáticamente una dirección de IP al servidor DHCP de la red.) [192.168.2.1]:

Please enter the IP subnet mask (A.B.C.D or /nn). (Especifique la máscara de subred IP, A.B.C.D o /nn. [255.255.255.0]):

This is the configuration information that has been collected: (Ésta es la información de configuración que se ha recopilado:)

Operational Mode = Simple (Modo operativo = simple)

User Account setup = root (Configuración de cuenta de usuario = raíz)

Password = ***** (Contraseña = *****)

Out-of-band IP address = 192.168.2.1 255.255.255.0
(Dirección de IP OOB = 192.168.2.1 255.255.255.0)

Final Step: (Paso final:)

If the information is correct, please enter (Y) to save the configuration, and copy the settings to the start-up configuration file. If the information is incorrect, enter (N) to discard the configuration and restart the wizard: [Y/N] **y** (Si la información es correcta, seleccione (Y) para guardar la configuración, y copie los valores de configuración en el archivo de configuración de inicio. Si la información es incorrecta, seleccione (N) para descartar la configuración y reiniciar el asistente: [Y/N] y)

Thank you for using the Dell Easy Set up Wizard.
(Gracias por utilizar Dell Easy Set up Wizard.) You will now enter CLI mode. (Ahora especificará el modo de CLI.)

Applying Interface configuration, please wait ...
(Aplicando configuración de interfaz, espere...)

console (consola)>

Pasos siguientes

Una vez completada la configuración inicial descrita en esta sección, puede conectar cualquiera de los puertos del panel frontal del conmutador a la red de producción para la administración remota en banda.

Si ha especificado DHCP para la dirección IP de la interfaz de administración OOB, la interfaz obtendrá su dirección IP a partir de un servidor DHCP de la red. Para detectar la dirección IP asignada de forma dinámica, utilice la conexión del puerto de consola para emitir el comando siguiente:

show ip interface out-of-band (mostrar interfaz IP fuera de banda).

Para acceder a la interfaz de **Dell OpenManage Switch Administrator**, introduzca la dirección IP de la interfaz de administración OOB en el campo de dirección de un explorador web. Para el acceso de administración remoto a la CLI, escriba la dirección IP de la interfaz de administración OOB en un cliente Telnet o SSH. También puede seguir utilizando el puerto de consola para el acceso local de la CLI al conmutador.

El conmutador PowerConnect 81xx admite funciones de conmutación básicas, tales como VLAN, 802.1X, RADIUS y TACACS+. Para obtener más información sobre las funciones admitidas en el modo simple, consulte el documento técnico *Simple Switch Mode: Port Aggregator Feature* (Modo simple del conmutador: función del agregador de puertos).

Si el conmutador está configurado para funcionar en modo normal, también puede admitir funciones como protocolo de árbol de extensión y funciones avanzadas de nivel 3, como el enrutamiento dinámico y la multidifusión. Utilice la interfaz de administración basada en web o la CLI para configurar las funciones necesarias para la red. Para obtener información sobre cómo configurar las funciones del conmutador, consulte los documentos *Guía de configuración del usuario* o *Guía de referencia de la CLI*, disponibles en la página web de asistencia support.dell.com/support.

Dell PowerConnect 81xx Serisi Anahtar Başlangıç Kılavuzu

Düzenleyici Model: PC8132, PC8132F,
PC8164, PC8164F



Notlar



NOT: NOT, bilgisayarınızdan daha iyi şekilde yararlanmanıza yardımcı olacak önemli bilgiler verir.



DİKKAT: DİKKAT, yönergelere uyulmadığında donanımın zarar görebileceğini veya veri kaybı olabileceğini belirtir.

Bu belgedeki bilgiler önceden bildirilmeksizin değiştirilebilir.

© 2012 Dell Inc. Tüm hakları saklıdır.

Dell Inc.'in yazılı izni olmadan bu belgelerin herhangi bir şekilde çoğaltılması kesinlikle yasaktır.

Bu belgede kullanılan Ticari Markalar: Dell™, DELL logosu, PowerConnect™, OpenManage™, ReadyRails™ ve Torx™ Dell Inc. ticari markalarıdır. Microsoft®, Windows® ABD ve/veya diğer ülkelerde Microsoft Corporation'ın tescilli ticari markalarıdır.

Bu belgede, marka ve adların sahiplerine ya da ürünlerine atıfta bulunmak için başka ticari marka ve ticari adlar kullanılabilir. Dell Inc. kendine ait olanların dışındaki ticari markalar ve ticari isimlerle ilgili hiçbir mülkiyet hakkı olmadığını beyan eder.

Düzenleyici Model PC8132, PC8132F, PC8164, PC8164F

Şubat 2012 P/N JHCTM Rev. A00

İçerik

1	Giriş	317
	Özellikler	317
2	Donanıma Genel Bakış	318
	Ön Panel	319
	Dört Bağlantı Noktalı SFP Uplink Sabit Bağlantı Noktaları	320
	Genişletme Yuvası	320
	UART Arayüzü	320
	Sistem LED'leri	321
3	Kurulum	323
	Saha Hazırlığı	323
	Anahtarın Paketinin Açılması	323
	Paket Muhteviyatı	323
	Paketi Açma Adımları	324
	Rafın Anahtara Monte Edilmesi	324
	Raf Montajı Güvenlik Hususları.	324
	Dell ReadyRails Sisteminin Takılması	325
	Anahtarı Takma.	330

4	Anahtarın Başlatılması ve Yapılandırılması	331
	Anahtarın bir Terminale Bağlanması	332
	Anahtarı Başlatma	333
	Başlangıç Yapılandırmasının Yapılması	333
	Başlangıç Yapılandırma Prosedürü	334
	Örnek Oturum	335
	Sonraki Adımlar	338

Giriş

Bu belge bir anahtarın kurulması ve başlangıç yapılandırılmasının gerçekleştirilmesi dahil olmak üzere Dell PowerConnect 81xx anahtarlar serileri PC8132, PC8132F, PC8164, PC8164F, hakkında temel bilgileri sunar. Anahtar özelliklerinin yapılandırılması ve izlenmesi hakkında daha fazla bilgi için, Dell Destek sitesinde dokümantasyon ve aygıt yazılımı konusunda en son güncellemelere ilişkin support.dell.com/support içinde yer alan *Kullanıcı Yapılandırma Kılavuzu*'na bakın.

Bu belge aşağıdaki bölümleri kapsar:

- Donanıma Genel Bakış
- Kurulum
- Anahtarın Başlatılması ve Yapılandırılması

Özellikler

PowerConnect 8100 Serisi, oldukça ölçeklendirilebilir, kampüs birikmesi için durmayan ağ geçişlerine sahip ve çekirdek geçiş 10 GbE konuşlandırmalarına sahiptir. Layer 3 anahtarları ailesi, aşırı güç isteyen Şirket ve işletme altyapıları için gerekli 10/40 GbE kablo hızında performans sağlar ve aynı zamanda basitleştirilmiş yönetimle ölçeklendirebilirlik ve yüksek yoğunluklu 10 GbE çalışması sağlar.

PC8100 Serisi, Şirket çekirdeğinde ağı yüksek yoğunluklu 10 GbE çalışmasına ve 40 GbE'ye büyütülmesine yardımcı olan küçük çekirdek ve birikme konuşlandırmalarında yüksek kullanılabilirlik ve artıklık sağlar. Aile, 10GbE veya 40GbE bağlantı noktaları ile yüksek yoğunluklu istifleme sağlar, tek bir mantıksal birimden yönetilebilir ve güç beslemeleri, fanlar ve ürün yazılım görüntüleri ile artıklık sağlar. Ayrıca, basitleştirilmiş yönetim önyüklemede işaret edilen ağ adreslemesini yürütmek için USB Hızlı Konuşlandırma özelliği içerir ve ayrıca sorunsuz ürün yazılımı görüntüsü tüm istifi yükler. Esnek yönetim seçenekleri, endüstri standardında CLI, yerleşik web sunucusu kullanan uzaktan yönetim ve Dell OpenManage Ağ Yöneticisi de dahil olmak üzere SNMP temelli yönetim uygulamaları için destek içerir.

PC8100 ailesi depolama ağ desteği ve iSCSI optimizasyonu içerir. Dell EqualLogic dizileriyle bağlantıyı basitleştirmek için, tüm 8100 Serisi anahtarlarında bulunan iSCSI Otomatik Yapılandırma özelliği dizileri algılar ve optimum çıkış için anahtarı yapılandırır. Bu özellik, varsayılan olarak etkinleştirilmiştir ve yalnızca bir kablo bağlanarak işlemi basitleştirir. Dell Compellent dizileriyle bağlanabilirlik de tek bir komut yapılandırmasıyla basitleştirilmiştir.

Güç kablosundan bağlantı noktalarına güç tasarrufu sağlamak için Dell PowerConnect 8100 Serisini tasarlamıştır, tüm bağlantı noktalarında etkin ve devre dışı bağlantı noktası güç tüketimini azaltmak için EEE kablolu bağlantı noktalarından başlamıştır. Tüm modlarda etkili bir şekilde çalışabilen fazlalık güç kaynaklarına ek olarak, değişken hızdaki fazlar da çoklu sıcaklık monitörleri ile kendi ortamlarındaki hızlarını ayarlayarak tüketimi azaltır. Son olarak, PC8100 ailesi kullanım süresi boyunca Temel Donanım Servisinin (onarım veya değiştirme) yer aldığı Kullanım Süresi Sınırlı Garantisi içerir.

Donanıma Genel Bakış

Bu kısım PowerConnect 81xx anahtarlar için aygıt özellikleri ve modüler donanım yapılandırmaları hakkındaki bilgileri ihtiva eder.

PowerConnect 81xx aşağıdaki fiziki boyutlarına sahiptir:

- 440 x 460 x 44 mm (G x D x Y).
- 17,32 x 18,11 x 1,73 inç (G x D x Y).

PowerConnect 81xx, dört çözüm türüne sahip bir şasi tasarımına ve aşağıda listelendiği gibi 640 Gbps ve 320 Gbps anahtarlama bant genişliğine sahiptir:

- 1 PC8132F - 24 bağlantı noktası SFP+ 10G + 40G/80G uzantı modülü
- 2 PC8164F - 48 bağlantı noktası SFP+ 10G + 2port 40G QSFP + 40G/80G uzantı modülü
- 3 PC8132 - 24 bağlantı noktası 10GBaseT + 40G/80G uzantı modülü
- 4 PC8164 - 48 bağlantı noktası 10GBaseT + 2port 40G QSFP + 40G/80G uzantı modülü

Modül yuvaları üç türden modüle takılabilir:

- SFP+
- 10G Base-T
- QSFP+

Sistem ayrıca bir RS-232 arayüzü RJ45 türü konsol bağlantı noktası ve OOB yönetim işlevleri için bir özel Ethernet servis bağlantı noktası sağlar.

PC81xx aşağıdaki özelliklere sahiptir:

- Bir USB bağlantı noktası desteği
- 1G/10G iletici için kırk sekiz 10 Gbps bağlantı noktası

- 40G iletici için iki sabit 40 Gbps QSFP bağlantı noktası
- SFP+ için bir 80 Gbps genişletme yuvası, 10G Base-T ve QSFP+ modülleri
- Geniş bellekli yerleşik yüksek performanslı CPU sistemi. XLP308H/256 MB NOR Flash/2GB DDR III RAM.
- Sıcaklık izleme (TMP75)
- Yazılım okunabilir termal monitör
- RTC saat desteği
- Sıcak takma yedekli güç kaynağı
- Güç yönetimi için akım izleme
- Fan çıkarılabilir ve yönetilebilir
- Standart 1U şasi yüksek

Ön Panel

Aşağıdaki resim PowerConnect 81xx ön panelini gösterir:

Şekil 1. PowerConnect 81xx Ön Panel



QSFP+ Bağlantı Noktaları

Ön panel şunları içerir:

- 24/48 sabit 10G Base-T veya SFP+ bağlantı noktaları
- Yönetim bağlantı noktası
- USB 2.0 bağlantı noktası



NOT: Sistemin LED ekranı fan ve güç durumu göstergeleri arka paneldedir.

Dört Bağlantı Noktalı SFP Uplink Sabit Bağlantı Noktaları

PC8164 ve PC8164F, her birisi aşağıdaki özelliklere sahip iki sabit QSFP bağlantı noktasına sahiptir:

- Dört aralı 10G bağlantı noktası/QBO kablosu
- CR4, SR4 ve LR4 ileticilerini destekleyen bir 40G bağlantı noktası
- Ön paneller bağlantı noktası durumu LED'leri

QSFP bağlantıları istifleme için kullanılabilir. İstifleme 100M'e kadar olan mesafelerde desteklenir.



NOT: QSFP modülleri yalnızca PowerConnect 81xx serisi anahtarlarda kullanılabilir.

Genişletme Yuvası

80 Gbps genişletme yuvası aşağıdaki modülleri destekler:

- SFP+ (dört 10G bağlantı noktası)
- 10G Base-T (dört 10G bağlantı noktası)
- QSFP+ (iki 40G bağlantı noktası olarak ya da 8 10G'ye kadar bağlantı noktası olarak yapılandırılabilir)

Modüller ayrıca satılır.

UART Arayüzü

UART (Evrensel Asenkron Alıcı Gönderici) bağlantı noktası endüstri standardı 16550 UART cihazlardan sonra tasarlanmıştır. UART bağlantı noktası seri iletişim özellikleri sağlar, bu modelle veya RS-232 protokolü kullanan diğer harici cihazlarla iletişim sağlar. Seri bağlantı noktası anahtara doğrudan bir bağlantı sağlar ve sağlanan seri kablo (RJ45 YOST'tan dışı DB-9 konektörlere) üzerinden bağlantı noktasına bağlanan bir konsol terminalinden CLI'ya erişmenize imkân sağlar.

UART bağlantı noktası ayrı bir şekilde yapılandırılabilir ve 1200 veri iletişiminden 4M veri iletişimine asenkron bağlantı olarak kullanılabilir.

UART arayüzü aşağıdaki seçeneklerle programlanabilir:

- 5, 6, 7 veya 8 karakter biti
- 1, 1.5 veya 2 durma biti
- Eşlik seçeneği
- Tek/çift eşlik (eşlik seçeneği etkinleştirilmişse)
- Yapışkan eşlik (eşlik seçeneği etkinleştirilmişse)

Varsayılanlar 9600 veri iletişim hızı, 8 veri biti, Eşlik Yok, 1 Durma Biti, Akış Kontrolü Yok şeklindedir.

Sistem LED'leri

Sistem, Sisteme, Diyaloga, Fana, İstife ve PowerConnect 81xx birimi Konumlandırıcı durumuna yönelik göstergeler sağlayan ışık yayan diyotlara (LED'ler) sahiptir. Tablo 1, durum LED tanımlarını içerir:

Table 1. Sistem için LED Tanımları

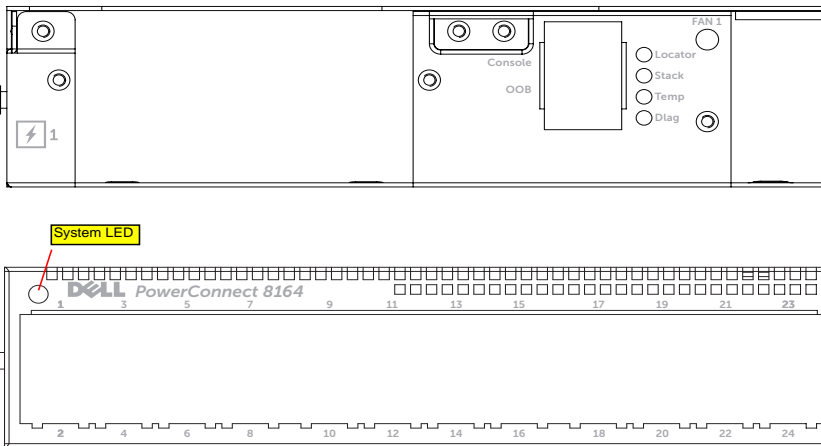
Özellik	Ayrıntılı Açıklama	Yorum
Sistem LED'i	<ul style="list-style-type: none">• Sürekli mavi - Normal çalışma• Yanıp sönen mavi - Önyükleme• Sürekli kırmızı - Kritik sistem hatası• Yanıp sönen kırmızı - Kritik olmayan sistem hatası (fan arızası, güç kaynağı arızası)	Ön panelde
Sıc. LED'i	<ul style="list-style-type: none">• Kapalı - Normal sıcaklık• Sürekli sarı - Aşırı sıcaklık^a	Arka panelde
Diyag. LED'i	<ul style="list-style-type: none">• Kapalı - Normal çalışma• Yanıp sönen yeşil - Diyagnostik test çalışması	Arka panelde

Table 1. Sistem için LED Tanımları (devamı)

Özellik	Ayrıntılı Açıklama	Yorum
Fan LED'i	<ul style="list-style-type: none">• Sürekli yeşil - Fana güç verilmiştir ve beklenen RPM'dedir• Sürekli kırmızı - Fan arızası	Arka panelde
İstif LED'i	<ul style="list-style-type: none">• Sürekli mavi - İstifleme modunda değişiklik• Sürekli yeşil - İstifleme yardımcı modunda değişiklik• Kapalı - Tek başına modunda değişiklik	Arka panelde
Yer belirleyici LED	<ul style="list-style-type: none">• Yanıp sönen mavi - Yer belirleyici işlevi etkin• Sürekli mavi - Yer belirleyici işlevi devre dışı	Arka panelde

a. Termal sensörleri sistem sıcaklığı eşiği 75°C. Eşik aşıldığında, Sıc. LED'i Sarı olarak yanar.

Şekil 2. Bağlantı Noktası LED'leri



Kurulum

Saha Hazırlığı

Anahtar veya anahtarları kurmadan önce seçilen kurulum konumunun aşağıdaki saha gereksinimlerini karşıladığından emin olun:

- **Açıklık** — Operatörün erişimi için ön ve arkada yeterli açıklık olmalıdır. Kablolar, elektrik bağlantıları ve havalandırma için yeterli açıklık bırakın.
- **Kablolama** — Kablolar radyo vericileri, yayın yükselticileri, elektrik hatları ve floresan aydınlatma teçhizatı gibi elektriksel parazit kaynaklarından uzak kalacak şekilde yönlendirilmelidir.
- **Ortam Sıcaklığı** — Ortam anahtarı çalışma sıcaklığı aralığı, 10° ila 35°C (50° ila 95°F) arasındadır.



NOT: Maksimum sıcaklığı 900 m'nin (2955 ft) üzerinde, 300 m (985 ft) başına 1°C (1,8°F) azaltın.

- **Nispi Nem** - Çalışma nispi nemi, saatte maksimum %10'luk nem değişimli %8 ila %85 (yoğuşmasız)'tir.

Anahtarın Paketinin Açılması

Paket Muhteviyatı

Anahtarların paketini açarken aşağıdaki öğelerin pakette yer aldığından emin olun:

- Bir adet PowerConnect anahtar
- Bir adet RJ-45'den DB-9'a dişi kablo
- İki ray kiti seti (alet gerekmez)
- İki PSU (ayrı olarak paketlenmiştir)
- İki AC güç kablosu (ülke/bölgeye özgü)
- *Başlangıç Kılavuzu*
- *Emniyet ve Düzenleyici Bilgiler*
- *Garanti ve Destek Bilgileri*
- *Yazılım Lisans Anlaşması*

Paketi Açma Adımları



NOT: Paketi açmadan önce, kutuyu kontrol edin ve herhangi bir hasara ilişkin her türlü kanıtı derhal rapor edin.

- 1 Paketi temiz, düz bir yüzey üzerine yerleştirin ve kutu üzerindeki bantları kesin.
- 2 Kutuyu açın veya üst kısmını çıkarın.
- 3 Anahtarı kutu içerisinden dikkatlice çıkarın ve emniyetli ve temiz bir yüzey üzerine yerleştirin.
- 4 Tüm paketleme malzemelerini kaldırın.
- 5 Ürünün ve ek birimlerinin hasarlı olup olmadığını kontrol edin.

Rafın Anahtara Monte Edilmesi

Anahtarı bir raf gözüne yerleştirebilirsiniz veya anahtarı doğrudan 19" genişliğinde EIA-310-E uyumlu rafa yerleştirebilirsiniz (dört kılıflı, iki kılıflı veya dişli yöntem). Dell ReadyRails™ sistemi 1U ön raf ve iki kılıflı kurulumlar için sağlanmıştır. ReadyRails sistemi, iki ayrı paketlenmiş ray kurulumu ve anahtarın yanlarına takılı olarak gönderilen iki raya sahiptir.



UYARI: Bu yoğunlaştırılmış bir referanstır. Başlamadan önce, Güvenlik, Çevre ve Yönetmelik bilgisi ekindeki güvenlik talimatlarını okuyun.



NOT: Bu belgedeki çizimler belirli bir anahtarı sunmak için tasarlanmamıştır.

Raf Montajı Güvenlik Hususları

- Raf yükleme—Rafların aşırı veya dengesiz yüklenmesi göz veya raf arızasına yol açarak ekipmanın hasar görmesine veya kişisel yaralanmaya yol açabilir. Rafları yükleme başlamadan önce sabit bir konumda dengeleyin. Bileşenleri rafın altından başlayarak monte edin ve ardından üstünü monte edin. Raf yükleme değerini aşmayın.
- Güç hususları—Yalnızca birim için belirtilen güç kaynağına bağlayın. Bir rafa birden fazla elektrikli bileşen bağlandığında, toplam bileşen güç değerlerinin devre özelliklerini aşmadığından emin olun. Aşırı yüklenmiş güç kaynakları ve uzatma kabloları yangına ve elektrik çarpması tehlikelerine yol açabilir.

- Yüksek ortam sıcaklığı—Kapalı bir raf aksamına monte edilirse, raf ortamının çalışma ortam sıcaklığı oda ortamından daha yüksek olabilir. Anahtarın maksimum ortam sıcaklığı olan 50 derece C'yi aşmamak için dikkatli olun.
- Düşük hava akışı—Ekipmanı ekipmanın güvenli çalışması için gereken hava akışı miktarının yeterli olacağı şekilde rafa takın.
- Güvenli topraklama—Raf monteli ekipmanın güvenli bir şekilde topraklanmasını sağlayın. Dizin devresine doğrudan bağlantı yapmak yerine besleme bağlantıları yapmaya özellikle özen gösterin örneğin: güç şeritlerinin kullanılması.
- Ürün arka panel aşağı konuma bakacak şekilde monte edilmemelidir.

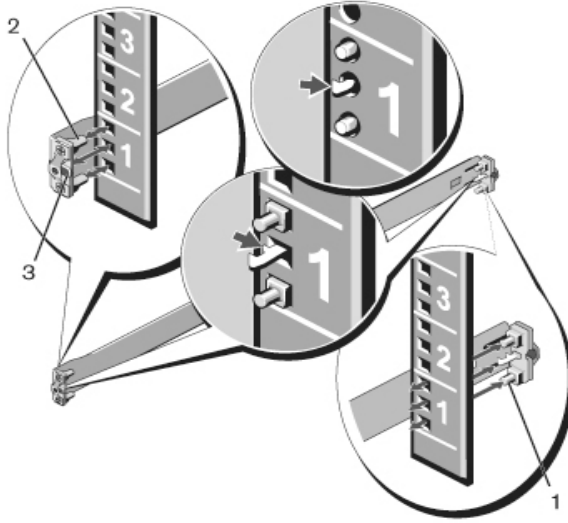
Dell ReadyRails Sisteminin Takılması

ReadyRails raf montaj sistemi anahtarınızın kurulumu için rafınızda kolayca yapılandırılacak şekilde sağlanır. ReadyRails sistemi 1U aletsiz yöntemi kullanarak veya üç olası 1U aletli yöntemden (iki kılıflı oturtma montajı, iki kılıflı orta montaj ve dört kılıflı dişli) birisi kullanılarak takılabilir.

1U Aletsiz Yapılandırması (Dört kılıflı Kare Delik veya Dişsiz Yuvarlak Delik)

- 1 ReadyRails flanş kulakları aşağı bakarken, bir rayı sol ve sağ dikey kılıflar arasına yerleştirin. Arka flanş ray kulakçıklarını arka dikey kılıf flanşında hizalayın ve buraya oturtun. Şekil 3'te, öge bir 1 ve ekstraksiyonları kulakçıkların hem kare hem de dişsiz yuvarlak deliklerde nasıl görüldüğünü göstermektedir.

Şekil 3. 1U Aletsiz Yapılandırması

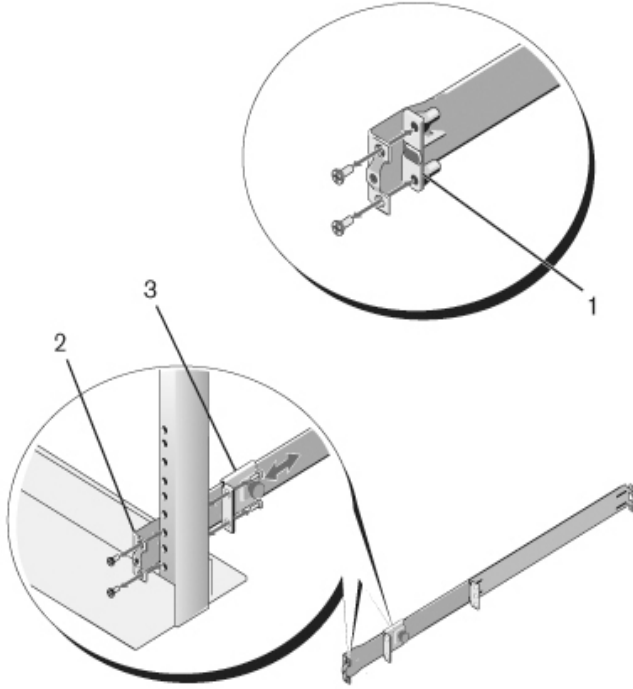


- 2 Ön flanş kulakçıklarını dikey kılıfın ön kısmındaki deliklerde hizalayın ve buraya oturtun. Bkz. Şekil 3, öge 2.
- 3 İkinci ray için bu yordamı tekrarlayın.
- 4 Her bir rayı kaldırmak için, her bir flanş kulağı üzerindeki mandal açma düğmesine basın ve her bir rayı çıkarın. Bkz. Şekil 3, öge 3.

İki Kılıflı Yerine Montaj Yapılandırması

- 1 Bu yapılandırma için, kalıplar her bir ReadyRails kurulumunun ön tarafından kaldırılmalıdır Bkz. Şekil 4, öge 1, sayfa 327. Her bir ön flanş kulağındaki iki vidayı çıkarmak için Torx sürücüyü kullanın (rayın anahtar kısmındadır) ve her bir kalıbı çıkarın. Gelecekteki raf gereklilikleri için kalıpları saklayın. Arka flanş kalıplarını çıkarmanız gerekmez.

Şekil 4. İki Kılıflı Yerine Montaj Yapılandırması



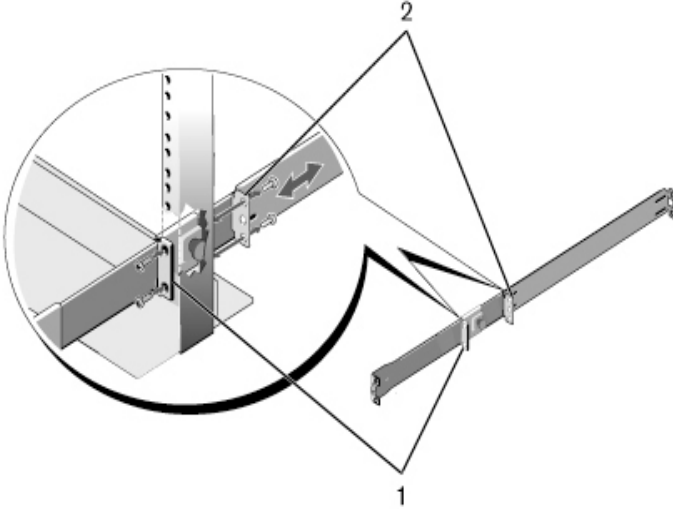
- 2 Bir rayı ön kılıf flanşına iki kullanıcı tarafından sağlanmış vidayla takın. Bkz. Şekil 4, öge 2.

- 3 Serbest bırakma çubuğu braketini dikey kılıfa doğru ileri yönde kaydırın ve serbest bırakma çubuğu braketini iki adet kullanıcı tarafından sağlanan vidayla kılıf flaşına sabitleyin. Bkz. Şekil 4, öge 3.
- 4 İkinci ray için bu yordamı tekrarlayın.

İki Kılıflı Ortaya Montaj Yapılandırması

- 1 Serbest bırakma çubuğu yerine klik sesi çıkararak oturuncaya kadar arka yönde kaydırın ve braketini iki adet kullanıcı tarafından sağlanan vidayla ön kılıf flaşına sabitleyin. Bkz. Şekil 5, öge 1.

Şekil 5. İki Kılıflı Ortaya Montaj Yapılandırması

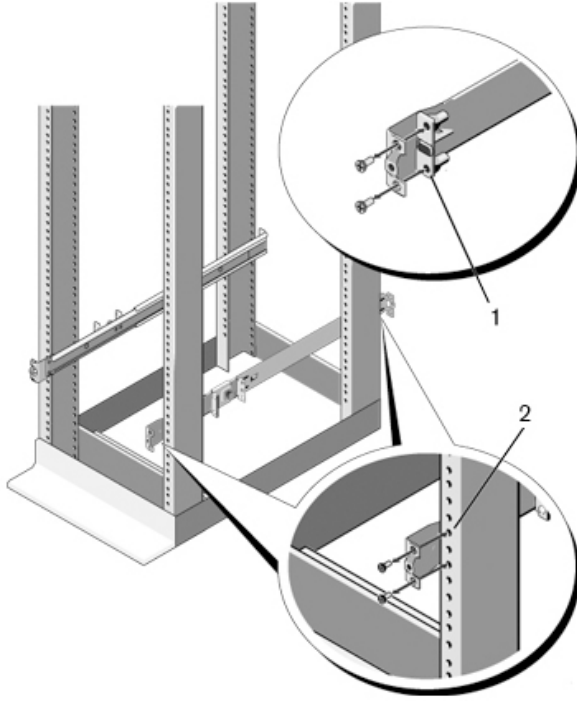


- 2 Arka braketini kılıfa doğru kaydırın ve iki adet kullanıcı tarafından sağlanan vidayla kılıf flaşına sabitleyin. Bkz. Şekil 5, öge 2.
- 3 İkinci ray için bu yordamı tekrarlayın.

Dört Kılıflı Dişli Yapılandırma

- 1 Bu yapılandırma için, flanş kulağı kalıpları ReadyRails kurulumlarının her bir ucundan kaldırılmalıdır. Her bir flanş kulağındaki iki vidayı çıkarmak için Torx sürücüyü kullanın ve her bir kalıbı çıkarın. Bkz. Şekil 6, öge 1, sayfa 329. Gelecekteki raf gereklilikleri için kalıpları saklayın.
- 2 Her bir ray için, ön ve arka flanşları kullanıcı tarafından tedarik edilen iki vidayla her bir uca takın. Bkz. Şekil 6, öge 2, sayfa 329.

Şekil 6. Dört Kılıflı Dişli Yapılandırma



Anahtarı Takma

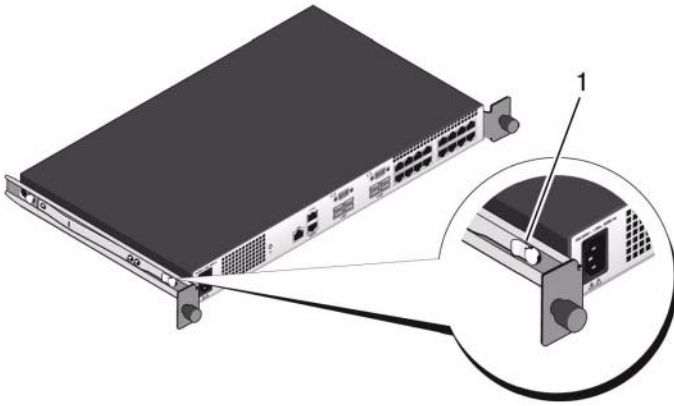
Anahtar 1U öne raf ve 1U iki kılıflı (oturtma ve orta) yapılandırmalarında monte edilebilir. Aşağıdaki 1U öne raf yapılandırmasına bir örnektir. 1U iki kılıflı (oturtma ve orta) yapılandırmaları ile, anahtarı dört kılıflı yapılandırmalarla aynı şekilde raylara kaydırabilirsiniz.

1U Ön Rafli Kurulum

Anahtara takılı raylar yapılandırılabilir.

- 1 Anahtar raylarını (iç şasi elemanları) PC81xx anahtara takın. Şekil 7, öge 1 kilitleme çıkıntılı ön tırnağın ayrıntılarını göstermektedir.

Şekil 7. Anahtar Raylarını Takma

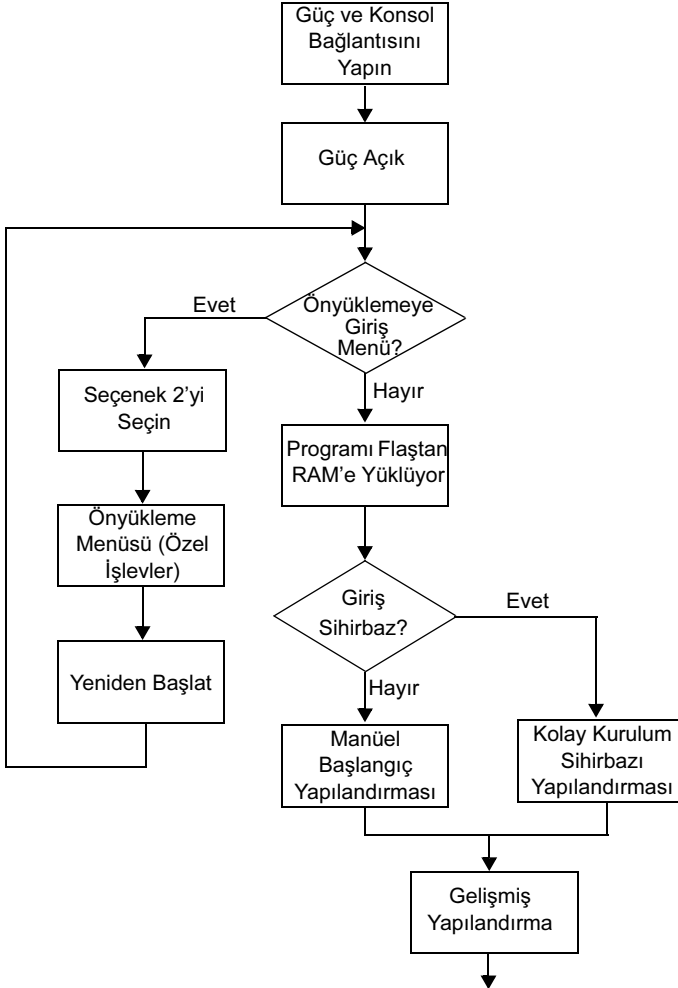


- 2 Her iki anahtar rayı da takıldıktan sonra, bunları daha önce rafa takılan Hazır Raylarla hizalayın ve anahtarı rafın önüne oturuncaya kadar kaydırın. Tamamen takmadan önce, ray kilitleme özelliği anahtarın raftan aniden çıkıp düşmesini önlemek için yaklaşık 3 inçlik boşluk bırakacaktır.

Anahtarın Başlatılması ve Yapılandırılması

Aşağıdaki akış çizelgesi, anahtar paketinden çıkarılıp kurulduktan sonra başlangıç yapılandırmasını gerçekleştirmek için kullanacağımız adımlara genel bir bakış sağlar.

Şekil 8. Kurulum ve Yapılandırma Akış Çizelgesi



Anahtarın bir Terminale Bağlanması

Tüm harici bağlantılar tamamlandıktan sonra, anahtarı yapılandırmak için anahtara bir terminal bağlayın.



NOT: Devam etmeden önce bu ürünün sürüm notlarını okuyun. Sürüm notlarını, support.dell.com/support adresindeki Dell Destek web sitesinden indirebilirsiniz.



NOT: Kullanıcı belgelerinin en son sürümünü support.dell.com/support adresindeki Dell Destek web sitesinden edinmenizi tavsiye ederiz.

Anahtarı seri konsol üzerinden izlemek ve yapılandırmak için, bir VT100 terminale veya VT100 terminal benzetim yazılımını çalıştıran bir bilgisayara bağlamak üzere anahtarın arka panelindeki RJ45 konsolu bağlantı noktasını kullanın. Konsol bağlantı noktası bir veri terminali ekipmanı (DTE) konektörü olarak düzenlenmiştir.

Konsol bağlantı noktasının kullanılması için aşağıdaki ekipman gereklidir:

- VT100 uyumlu terminal veya VT100 terminal emülasyon yazılımına ve bir seri bağlantı noktasına sahip masaüstü veya taşınabilir bir bilgisayar, Microsoft HyperTerminal gibi.
- Konsol bağlantı noktası için RJ45 ve terminal için DB-9 konektöre sahip seri bir kablo.

Bir terminali anahtar konsol bağlantı noktasına bağlamak için aşağıdaki işlemleri uygulayın:

- 1 Seri kablo üzerindeki DB-9 konektörünü VT100 terminal emülasyon yazılımına sahip terminale veya bilgisayara bağlayın.
- 2 Terminal emülasyon yazılımını aşağıdaki şekilde yapılandırın:
 - a Konsola bağlanmak için uygun seri bağlantı noktasını (örneğin COM1) seçin.
 - b Veri hızını 9600 baud olarak ayarlayın.
 - c Veri formatını 8 veri biti, 1 stop biti olacak ve eşlik biti olmayacak şekilde ayarlayın.
 - d Akış kontrolünü hiçbiri olarak ayarlayın.
 - e Terminal emülasyon modunu **VT100** olarak ayarlayın.
 - f İşlev, Ok ve Ctrl tuşları için Terminal tuşlarını seçin. Ayarın Terminal tuşları için yapılmasını (Microsoft Windows tuşları değil) sağlayın.



NOT: Microsoft Windows 2000 ile HyperTerminal kullanırken, Windows 2000 Servis Paketi 2 veya daha üst sürümünün yüklü olduğundan emin olun. Windows 2000 Servis Paketi 2 kullanırken, HyperTerminal VT100 emülasyonunda ok tuşları düzgün çalışır. Windows 2000 servis paketleri hakkında daha fazla bilgi almak için microsoft.com adresine gidin.

- 3 Kablo üzerindeki RJ45 konektörünü doğrudan anahtar arkasında bulunan PowerConnect 81xx RJ45 konsol bağlantı noktasına bağlayın.

Anahtarı Başlatma

Güç açıldığında, anahtar güç açık otomatik sınamaya (POST) işlemini yapar. POST, anahtar her başlatıldığında uygulanır ve tamamen önyüklenmeden önce anahtarın tamamen işlevsel olduğunu belirlemek için donanım bileşenlerini kontrol eder. POST kritik bir problem tespit ederse program akışı durur. POST başarılı şekilde tamamlanırsa geçerli ürün bilgisi RAM üzerine yüklenir. POST mesajları terminal üzerinde görüntülenir ve sınamanın başarılı veya başarısız olduğunu gösterir. Önyükleme süreci yaklaşık olarak 60 saniye sürer.

Yerel terminal bağlıyken, POST'un ilk kısmı tamamlandıktan sonra Önyükleme menüsünü çağırabilirsiniz. Önyükleme menüsünden, sistemi fabrika ayarlarına geri döndürme, yedekleme imajını aktif hale getirme veya bir parolanın kurtarılması gibi yapılandırma görevlerini yerine getirebilirsiniz. Önyükleme menüsü işlevleri hakkında daha fazla bilgi için bkz. *CLI Referans Kılavuzu*.

Başlangıç Yapılandırmasının Yapılması

Başlangıç yapılandırma prosedürü aşağıdaki varsayımlara dayanır:

- PowerConnect anahtarı önceden hiç yapılandırılmamış ve aldığımız durumdadır.
- PowerConnect anahtarı başarılı şekilde önyüklenmiştir.
- Konsol bağlantısı yapılmıştır ve **Dell Kolay Kurulum Sihirbazı** iletilisi VT100 terminali veya eşdeğeri bir terminal ekranı üzerinde görünmektedir.

Başlangıç anahtar yapılandırması konsol bağlantı noktası üzerinden yapılır. Başlangıç yapılandırmasından sonra, anahtarı bağlı durumdaki konsol bağlantı noktası üzerinden veya uzaktan bir bağlantı yoluyla yönetebilirsiniz.



NOT: Anahtar varsayılan kullanıcı adı, parola veya IP adresi ile yapılandırılmaz.

Anahtarın başlangıç yapılandırmasını ayarlamadan önce ağ yöneticinizden aşağıdaki bilgileri alın:

- Aygıt yönetimi için bant dışı (OOB) arabirimine tahsis edilecek olan IP adresi.
- OOB arabirimine ilişkin IP alt ağ maskesi.
- OOB arabirimi varsayılan ağ geçidinin IP adresi.

Anahtarın Telnet (Telnet istemcisi) veya HTTP (Web tarayıcısı) üzerinden uzaktan yönetimine izin vermek için bu ayarlar gereklidir.

Başlangıç Yapılandırma Prosedürü

Başlangıç yapılandırmasını **Dell Kolay Kurulum Sihirbazı** veya CLI kullanarak yapabilirsiniz. Anahtar yapılandırma dosyası boş olduğunda sihirbaz otomatik olarak başlar. [Ctrl+z] tuşlarına basarak herhangi bir aşamada sihirbazdan çıkabilirsiniz ancak bu durumda belirlenen tüm yapılandırma ayarları kaybedilir ve anahtar varsayılan değerleri kullanır.



NOT: Kolay Kurulum Sihirbazını çalıştırmazsanız veya başlangıç Kolay Kurulum Sihirbazının bilgi istemine 60 saniye içinde cevap vermezseniz anahtar CLI moduna girer.

CLI kullanarak başlangıç yapılandırmasını yapma hakkında daha fazla bilgi için bkz. *CLI Referans Kılavuzu*. Bu *Başlarken Kılavuzu* Kolay Kurulum Sihirbazının başlangıç anahtar yapılandırması için nasıl kullanılacağını gösterir. Sihirbaz anahtar üzerinde aşağıdaki yapılandırmayı ayarlar:

- Geçerli bir parola ile ilk ayrıcalıklı kullanıcı hesabını oluşturur. Sihirbaz kurulum sırasında bir adet ayrıcalıklı kullanıcı hesabını yapılandırır.
- Sadece yerel kimlik doğrulama ayarını kullanmak için CLI oturum açma ve HTTP erişimini etkinleştirir.
- OOB arabirimi için IP adresini ayarlar.
- Belirli bir IP adresinde SNMP yöneticisi tarafından kullanılmak üzere SNMP ortak dizgiyi ayarlar. Bu anahtar için SNMP yönetimi kullanılmıyorsa bu adımı atlayabilirsiniz.

Örnek Oturum

Bu kısım Kolay Kurulum Sihirbazı oturumunu açıklar. Aşağıdaki değerler örnek oturum için kullanılmıştır:



NOT: Anahtar kutudan çıkarıldığında ve fabrika varsayılan ayarlarına ayarlandığında, kullanıcı adı, parola veya ip adresi yoktur.

- SNMP etkinleştirilmemiş.
- Varsayılan kullanıcı adı olarak **root** kabul edilir ve **admin123** parolası girilir. Sihirbaz, parola girildiğinde parolayı görüntüleyemez.
- OOB yönetim arabirimi IP adresi tahsisi için **192.168.2.1**'i kullanır.



NOT: Aşağıdaki örnekte muhtemel kullanıcı seçenekleri veya varsayılan değerler [] içerisinde gösterilmiştir. Herhangi bir seçeneği belirlemeden <Enter> tuşuna basarsanız varsayılan değer kabul edilir. Yardım metni parantez içerisindedir.

Aşağıdaki örnekte, yukarıda listelenen girdi değerleri kullanılarak **Dell Kolay Kurulum Sihirbazı** örnek oturumunun çalıştırılmasına ilişkin istem ve cevaplar yer alır.

Anahtar POST işlemini tamamladıktan ve önyükleme yapıldıktan sonra aşağıdaki metin görüntülenir:

```
(Unit 1-Waiting to select management unit)>
```

```
Applying Global configuration, please wait ...
```

```
Welcome to Dell Easy Setup Wizard
```

```
The Setup Wizard guides you through the initial switch configuration, and gets you up and running as quickly as possible. You can skip the setup wizard, and enter CLI mode to manually configure the switch. You must respond to the next question to run the setup wizard within 60 seconds, otherwise the system will continue with normal operation using the default system configuration. Note: You can exit the setup wizard at any point by entering [ctrl+z].
```

```
Would you like to run the setup wizard (you must answer this question within 60 seconds)? [Y/N] y
```

First:

Do you want to select the operational mode as Simple Mode? [Y/N] **y**

Step 1:

The system is not setup for SNMP management by default. To manage the switch using SNMP (required for Dell Network Manager) you can

- . Set up the initial SNMP version 2 account now.
- . Return later and setup other SNMP accounts. (For more information on setting up an SNMP version 1 or 3 account, see the user documentation).

Would you like to setup the SNMP management interface now? [Y/N] **n**

Step 2:

Now we need to setup your initial privilege (Level 15) user account. This account is used to login to the CLI and Web interface. You may setup other accounts and change privilege levels later. For more information on setting up user accounts and changing privilege levels, see the user documentation.

To setup a user account:

Please enter the user name. [root]:

Please enter the user password:

Please reenter the user password:

Step 3:

Next, IP addresses are setup on the OOB (Out-Of-Band) Interface and/or the VLAN1 routing interface.

You can use these IP addresses to access the CLI, Web interface, or SNMP interface of the switch.

To access the switch through any Management Interface you can

- . Setup the IP address for the Management Interface.
- . Setup the default gateway if IP address is manually configured on both routing and OOB interface.

Would you like to setup the Out-Of-Band interface now?
[Y/N] **y**

Please enter the IP address of the device (A.B.C.D) or enter "DHCP" (without the quotes) to automatically request an IP address from the network DHCP server.
[192.168.2.1]:

Please enter the IP subnet mask (A.B.C.D or /nn).
[255.255.255.0]:

This is the configuration information that has been collected:

Operational Mode = Simple

User Account setup = root

Password = *****

Out-of-band IP address = 192.168.2.1 255.255.255.0

Final Step:

If the information is correct, please enter (Y) to save the configuration, and copy the settings to the start-up configuration file. If the information is incorrect, enter (N) to discard the configuration and restart the wizard: [Y/N] **y**

Thank you for using the Dell Easy Set up Wizard. You will now enter CLI mode.

Applying Interface configuration, please wait ...

console>

Sonraki Adımlar

Bu kısımda açıklanan başlangıç yapılandırmasını tamamladıktan sonra, bant-ıçi uzaktan yönetim için ön panel anahtar bağlantı noktalarını üretim ağınıza bağlayabilirsiniz.

OOB yönetim arabirimi IP adresi için DHCP belirlediyseniz, arabirim kendi IP adresini ağ üzerindeki bir DHCP sunucudan alacaktır. Dinamik olarak atanmış IP adresini öğrenmek için konsol bağlantı noktasından aşağıdaki komutu verin:

ip arabirimi bant-dışı göster.

Dell OpenManage Anahtar Yöneticisi arabirimine erişmek için OOB yönetim arabirimi IP adresini bir Web tarayıcısının adres alanına girin. CLI'ya uzaktan yönetim erişimi için OOB yönetim arabirimi IP adresini bir Telnet veya SSH istemcisine girin. Alternatif olarak, anahtara yerel CLI erişimi için konsol bağlantı noktasını kullanmaya devam edebilirsiniz.

PowerConnect 81xx anahtarınız VLAN'lar, 802.1X, RADIUS ve TACACS+ gibi temel anahtarlama özelliklerini destekler. Basit modda desteklenen özellikler hakkında daha fazla bilgi için bkz. *Basit Anahtar Modu: Bağlantı Noktası Kaynak Özelliği Beyaz Kağıt*.


Anahtarınız Normal modda çalışmak üzere yapılandırıldığında, kapsama ağacı (spanning tree) protokolü gibi özellikler ile dinamik yönlendirme ve çoklu gönderim (multicast) gibi gelişmiş Katman 3 özelliklerini destekler. Ağınızın gerektirdiği özellikleri yapılandırmak için web tabanlı yönetim arabirimini veya CLI kullanın. Anahtar özelliklerini yapılandırma hakkında bilgi için bkz. *Kullanıcı Yapılandırma Kılavuzu* veya destek sitesi support.dell.com/support adresindeki *CLI Başvuru Kılavuzu*.


מתג Dell PowerConnect
סדרה 81xx Series
מדריך תחילת עבודה



דגם תקינה: PC8132, PC8132F, PC8164,
PC8164F

הערות

הערה: הערה מציינת מידע חשוב שסייע לך לנצל את המחשב בצורה טובה יותר. 

התראה: התראה מציינת אפשרות של נזק לחומרה או אובדן נתונים עקב אי ציות להנחיות. 

המידע במסמך זה עשוי להשתנות ללא הודעה מוקדמת.
© 2012 Dell Inc. כל הזכויות שמורות.

חל איסור מוחלט על שנתוק חומרים אלה, בכל דרך שהיא, ללא קבלת רשות בכתב מאת Dell Inc.

סימני מסחר המשמשים בטקסט זה: Dell™, הלוگو של DELL, OpenManage™, PowerConnect™, ReadyRails™ ו-Torx™ הם סימני מסחר של Dell Inc., Microsoft® ו-Windows® הם סימני מסחר רשומים של Microsoft Corporation בארצות הברית ו/או במדינות אחרות.

סימנים מסחריים ושמות מסחריים אחרים עשויים לשמש בפרסום זה בהתייחסות לישויות הטוענות לבעלות על אותם סימנים ושמות או בהתייחסות למוצריהן. Dell Inc. מתנערת מכל עניין קנייני בסימני מסחר ובשמות מסחר, למעט הסימנים והשמות שלה עצמה.

דגם תקינה PC8164F, PC8164, PC8132F, PC8132

פברואר 2012 מספר חלק JHCTM מהדורה A00

תוכן

343.....מבוא 1

343.....תכונות

344.....חומרה – סקירה כללית 2

345.....לוח קדמי

346.....ארבע יציאות SFP Uplink קבועות

346.....חריץ הרחבה

346.....ממשק UART

347.....נוריות החיווי של המערכת

349.....התקנה 3

349.....הכנת האתר

349.....הוצאת המתג מארזתו

349.....תכולת האריזה

350.....שלבים להוצאת היחידה מהאריזה

350.....התקנת המתג בארון תקשורת

350.....שיקולי זהירות להתקנה בארון תקשורת

351.....התקנת מערכת Dell ReadyRails

355.....התקנת המתג

357 הפעלה והגדרת התצורה של המתג 4

358 חיבור מתג למסוף

359 תיחול המתג

359 הגדרת התצורה הראשונית

360 תהליך הגדרת התצורה הראשונית

360 הפעלה לדוגמה

365 השלבים הבאים

מבוא

מסמך זה מכיל מידע בסיסי על Dell PowerConnect 81xx סדרת המתגים PC8132, PC8164F, PC8164, PC8132F, כולל פרטים על אופן ההתקנה ופעולות בסיסיות של הגדרת תצורה. לקבלת מידע על הגדרת תכונות המתג ומעקב אחריהן, עיין במדריך הגדרת התצורה למשתמש, הזמין באתר התמיכה של Dell, בכתובת support.dell.com/support, עם העדכונים האחרונים לתיעוד וקושחה.

המסמך מכיל את הסעיפים הבאים:

- חומרה – סקירה כללית
- התקנה
- הפעלה והגדרת התצורה של המתג

תכונות

סדרה PowerConnect 8100 Series כוללת מתגים בעלי מדרגיות גבוהה לעבודה רציפה ברשת לצבירת קמפוסים ופריסות במיתוג ליבות של 10 GbE. המשפחה של מתגי שרשרת מספקת ביצועים במהירות קישור מרבית של 10/40 GbE הנחוצים לתשתיות עסקיות וארגוניות תאבות חשמל, תוך הענקת יכולת מדרגיות ותפעול בצפיפות גבוהה במהירות 10 GbE בניהול פשוט.

סדרה PC8100 Series מספקת זמינות גבוהה ויתירות לפריסות של ליבות קטנות וצבירה, המסייעת להגדלת הרשת לתפעול בצפיפות גבוהה במהירות 10 GbE ועד למהירות של 40 GbE עבור ליבת הארגון. משפחת המוצרים מספקת יכולת הערמה בצפיפות גבוהה עם יציאות של 10 GbE או 40 GbE, וניתנת לניהול כיחידה לוגית אחת, כמו גם כיחידת יתירות עם ספקי כוח, מאווררים ותמונות קושחה. הניהול הפשוט כולל גם תכונה של פריסה מהירה עם USB להאצת מיעון הרשת באתחול, ולפישוט ההתקנות של תמונות קושחה בכל הערימה. אפשרויות ניהול גמישות כוללות ממשק CLI (שורת פקודה) בתקני התעשייה, ניהול מרחוק באמצעות שרת אינטרנט מוטבע, ותמיכה עבור יישומי ניהול מבוססי-SNMP, כולל Dell OpenManage Network Manager.

משפחת PC8100 כוללת תמיכה לאמצעי אחסון ברשת ומיטוב ל-iSCSI. כדי לפשט את הקישוריות עם מערכי Dell EqualLogic, התכונה של הגדרת תצורה אוטומטית ל-iSCSI הכלולה בכל המתגים מסדרה 8100 Series, מזהה את המערכים באופן אוטומטי ומגדירה את המתג לתפוקה מיטבית. תכונה זו מופעלת כברירת מחדל, לפישוט התהליך לחיבור פשוט של כבל. הקישוריות עם מערכי Dell Compellent מופשטת גם היא בעזרת הגדרת תצורה עם פקודה אחת.

Dell פיתחה את סדרה PowerConnect 8100 Series לחיסכון באנרגיה החל מכבל המתח וכלה ביציאות, עם יציאות תואמות-EEE לצמצום צריכת החשמל הפעילה והסבילה של כל היציאות. בנוסף לספקי הכוח היתירים שיכולים לפעול ביעילות בכל המצבים, מאוררים בעלי מהירויות משתנות מצמצמים את הצריכה על ידי התאמת המהירות לסביבה באמצעות מדי טמפרטורה מרובים. לסיום, משפחת PC8100 כוללת את האחריות המוגבלת לכל החיים של Dell, עם שירות בסיסי לחומרה (תיקון או החלפה) לכל החיים.

חומרה – סקירה כללית

סעיף זה מכיל מידע על מאפייני ההתקן ותצורות חומרה מודולריות למתגי PowerConnect 81xx.

PowerConnect 81xx להלן הממדים הפיזיים של :

• 440 x 440 x 44 מ"מ (רוחב x עומק x גובה).

• 17.32 x 18.11 x 1.73 אינץ' (גובה x עומק x רוחב).

PowerConnect 81xx עיצוב המארז של כולל ארבעה סוגי פתרונות ורוחב פס למיתוג של 640 Gbps ושל 320 Gbps כמפורט להלן :

1 PC8132F – 24 יציאות SFP+ של 10G + מודול הרחבה ל-40G/80G

2 PC8164F – 48 יציאות SFP+ של 10G + 2 יציאות QSFP של 40G + מודול הרחבה ל-40G/80G

3 PC8132 – 24 יציאות של 10GBaseT + מודול הרחבה ל-40G/80G

4 PC8164 – 48 יציאות של 10GBaseT + 2 יציאות QSFP של 40G + מודול הרחבה ל-40G/80G

ניתן לחבר לחרצי המודולים מודולים משלושה סוגים :

• SFP+

• 10G Base-T

• QSFP+

המערכת כוללת גם יציאת מסוף אחת מסוג RJ45 עם ממשק RS-232 ויציאה ייעודית לשירות Ethernet עבור פונקציות לניהול OOB.

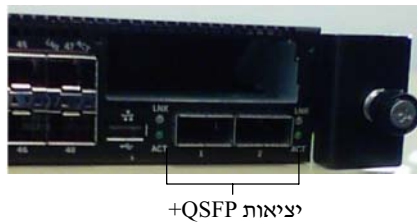
דגם PC81xx כולל את התכונות הבאות:

- תמיכה ביציאת USB אחת
- ארבעים ושמונה יציאות של 10 Gbps למקמ"ש של 1G/10G
- שתי יציאות QSFP קבועות של 40 Gbps עבור מקמ"ש של 40G
- חריץ הרחבה יחיד של 80 Gbps עבור מודולי SFP+, 10G Base-T ו-QSFP+
- מערכת CPU מובנית עם ביצועים גבוהים ונפח זיכרון גדול. XLP308H/זיכרון Flash של 256 MB NOR/זיכרון DDR III RAM של 2GB.
- מדי טמפרטורה (TMP75)
- צג תרמי לקריאת תוכנות
- תמיכה בשעון RTC
- ספק כוח יתיר לחיבור חם
- מד זרם לניהול צריכת חשמל
- המאוור הוא נשלף וניתן לניהול
- מארז סטנדרטי בגובה 1U

לוח קדמי


באיור הבא מוצג הלוח הקדמי של PowerConnect 81xx:

איור 1. הלוח הקדמי של PowerConnect 81xx




הלוח הקדמי כולל:

- 24/48 יציאות 10G Base-T או SFP+ קבועות
- יציאת ניהול
- יציאת USB 2.0

 **הערה:** נוריות LED של מחווני מצב המערכת, המאוורר והמתח נמצאות בלוח האחורי.

ארבע יציאות SFP Uplink קבועות

דגמי PC8164 ו-PC8164F כוללים שתי יציאות QSFP קבועות, שכל אחת מהן מספקת את התכונות הבאות:

- ארבע יציאות של 10G עם ארבעה שקעים/כבל QBO
 - יציאה אחת של 40G התומכת במקמי"שים מסוג CR4, SR4 ו-LR4
 - נוריות חיווי למצב היציאות בלוח הקדמי
- ניתן להשתמש בחיבורי QSFP לעירום. ההערמה נתמכת למרחק של עד 100 מטרים.
-  **הערה:** ניתן להשתמש במודולי QSFP רק עבור מתגים מסדרת PowerConnect 81xx.

חריץ הרחבה

חריץ ההרחבה ל-80 Gbps תומך במודולים הבאים:

- SFP+ (ארבע יציאות של 10G)
 - 10G Base-T (ארבע יציאות של 10G)
 - QSFP+ (ניתן להגדיר כשתי יציאות של 40G או עד שמונה יציאות של 10G)
- מודולים אלה נמכרים בנפרד.

ממשק UART

יציאת ה-UART (מקלט-משדר אסינכרוני אוניברסלי) מעוצבת בהתאם להתקני UART בתקן התעשייה 16550. יציאות UART מספקת יכולות לתקשורת טורית, לניהול תקשורת עם הדגם או התקנים חיצוניים אחרים באמצעות פרוטוקול RS-232. יציאה טורית מספקת חיבור ישיר למתג ומאפשרת גישה אל ממשק ה-CLI (שורת הפקודה) דרך מסוף

לוח בקרה המתחבר אל היציאה באמצעות הכבל הטורי הכלול (עם מחברי RJ45 YOST למחברי DB-9 נקבה).

התצורה של יציאת ה-UART מוגדרת בנפרד וניתן להפעיל אותה כקישור אסינכרוני בקצב שידור מ-1,200 באוד עד 4M באוד.

ניתן לתכנת את ממשק UART עם האפשרויות הבאות:

- סיביות של 5, 6, 7 או 8 תווים
 - סיביות עצירה של 1, 1.5 או 2
 - אפשרויות זוגיות
 - זוגיות זוגית/אי זוגית (אם אפשרות הזוגיות מופעלת)
 - זוגיות קבועה (sticky parity) (אם אפשרות הזוגיות מופעלת)
- ברירות המחדל הן קצב שידור 9600, 8 סיביות נתונים, ללא זוגיות, 1 סיבית עצירה, ללא בקרת זרימה.

נוריות החיווי של המערכת

המערכת כוללת דיודות פולטות אור (נוריות LED, דפאו"רים) שמספקות חיוויים לגבי מצב המערכת, הטמפרטורה, האבחונים, המאוורר, הסידור בערימה והאיתור של יחידת PowerConnect 81xx. דגם טבלה 1 כולל את הגדרות הנוריות הבאות לחיווי מצב:

טבלה 1. משמעות נוריות החיווי של המערכת

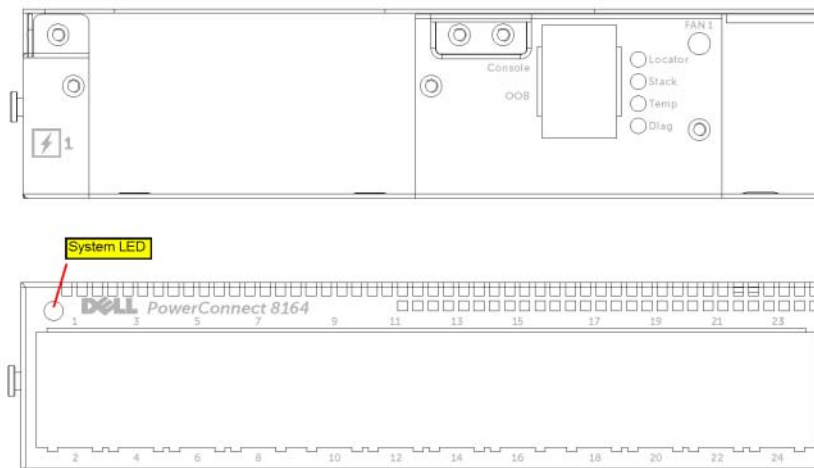
תכונה	תיאור מפורט	הערה
נורית המערכת	<ul style="list-style-type: none">• כחול רציף – פעולה תקינה• כחול מהבהב – מתבצע אתחול• אדום רציף – שגיאה קריטית במערכת• אדום מהבהב – שגיאה לא קריטית במערכת (כשל במאוורר או בספק הכוח וכיוצא בזה)	בלוח הקדמי
נורית טמפרטורה	<ul style="list-style-type: none">• כבויה – טמפרטורה רגילה• כתום מלא – טמפרטורה גבוהה מדל^א	בלוח האחורי
נורית אבחון	<ul style="list-style-type: none">• כבויה – פעולה תקינה• ירוק מהבהב – מתבצעת בדיקת אבחון	בלוח האחורי

טבלה 1. משמעות נוריות החיווי של המערכת (המשך)

תכונה	תיאור מפורט	הערה
נורית המאוורר	<ul style="list-style-type: none"> ירוק רציף – המאוורר מופעל ומסתובב במהירות הצפויה לדקה אדום רציף – כשל במאוורר 	בלוח האחורי
נורית הערמה	<ul style="list-style-type: none"> כחול מלא – מתג במצב הערמה ירוק רציף – המתג במצב הערמה משנית כבויה – המתג במצב עצמאי 	בלוח האחורי
נורית איתור	<ul style="list-style-type: none"> כחול מהבהב – פונקציית האיתור מופעלת כחול רציף – פונקציית האיתור מושבתת 	בלוח האחורי

א סף טמפרטורת מערכת חיישני הטמפרטורה הוא 75°C . כאשר הטמפרטורה עולה מעל סף זה, נורית החיווי של הטמפרטורה דולקת בצבע כתום.

איור 2. נוריות החיווי של היציאות



התקנה

הכנת האתר

לפני התקנת המתג או המתגים, ודא שהמקום שבחרת להתקנה עונה על הדרישות הבאות:

- **מרווח** – הושאר מרווח הולם בחזית ובגב של המכשיר כדי לאפשר גישה של המפעיל. השאר מרווח פנוי לכבלים, חיבורי זינה ואוורור.
- **כבלים** – הכבלים נותבו רחוק ככל האפשר ממקורות של הפרעה חשמלית, כגון משדרי רדיו, מגברי שידור, קווי מתח ומתקני תאורה פלואורסצנטיים.
- **טמפרטורת סביבה** – טווח טמפרטורת הסביבה להפעלת המתג היא 10 עד 35 מעלות צלזיוס (50 עד 95 מעלות פרנהייט)
- **הערה:** הפחת את הטמפרטורה המרבית במעלה אחת צלזיוס (1.8 מעלות פרנהייט) לכל 300 מ' (985 רגל) מעל 900 מ' (2955 רגל).
- **לחות יחסית** – הלחות היחסית לתפעול תקין היא 8% עד 85% (ללא עיבוי) עם עלייה/ירידה מרבית של 10% לשעה.



הוצאת המתג מאריזתו

תכולת האריזה

בעת הוצאת כל מתג מהאריזה, ודא שכלולים בה הפריטים הבאים:

- מתג PowerConnect אחד
- כבל RJ45 ל-DB-9 נקבה אחד
- שני סטים של ערכות מסילה (אין צורך בכלים)
- שני ספקי כוח (ארוזים בנפרד)
- שני כבלי מתח ז"ח (ספציפיים למדינה/אזור)
- מדריך תחילת עבודה
- מידע בנושאי בטיחות ואסדרה (רגולציה)
- מידע בנושאי אחריות ותמיכה
- הסכם רישוי תוכנה

שלבים להוצאת היחידה מהאריזה

הערה: לפני הוצאת המתג מאריזתו, בדוק את תכולת האריזה ודווח באופן מיידי על כל עדות לנזק.

- 1 הנח את הקופסה על משטח נקי וישר, וגזור את כל הרצועות המשמשות לקשירת הקופסה.
- 2 פתח את הקופסה או הסר את מכסה הקופסה.
- 3 הוצא בזהירות את המתג מהקופסה, והנח אותו על משטח יציב ופנוי.
- 4 הוצא את כל חומרי האריזה.
- 5 בדוק אם יש פגמים במוצר ובאביזרים.

התקנת המתג בארון תקשורת

באפשרותך למקם את המתג על מדף ארון תקשורת או להתקינו ישירות על ארון תקשורת ברוחב 19 אינץ', התואם לתקן EIA-310-E (ארבעה עמודים, שני עמודים או שיטות תברוג). מערכת Dell ReadyRails™ עבור חזית ארון תקשורת בגובה 1U והתקנות בארונות של שני עמודים. מערכת ReadyRails כוללת שני מכלולי מסילות ארוזים בנפרד ושתי מסילות שמוצמדות לצידיו של המתג.

⚠ אזהרה: זהו מידע מקוצר. יש לקרוא את הוראות הבטיחות המופיעות בחוברת הבטיחות, הסביבה והמידע בנושא תקינה לפני תחילת העבודה.

הערה: האירורים שמופיעים במסמך זה לא נועדו לייצג מתג ספציפי.

שיקולי זהירות להתקנה בארון תקשורת

- העמסת יתר, או העמסה באופן לא מאוזן, של ארונות תקשורת עלולה לגרום לנפילה של מדף או ארון התקשורת עצמו, נזק לציוד ואף פגיעות גופניות. ייצב את ארונות התקשורת במיקום קבוע לפני שתתחיל בהעמסה. התקן את הרכיבים כשאתה מתחיל בחלקו התחתון של ארון התקשורת ומתקדם כלפי מעלה. אל תחרוג מקיבולת העומס של ארון התקשורת.
- חבר את המוצר אך ורק למקור המתח שמצוין על-גבי היחידה. אם מותקנים בארון התקשורת מספר רכיבים חשמליים, ודא שדירוגי המתח של כל הרכיבים ביחד לא עוברים את יכולות המעגלים החשמליים. מקורות מתח וכבלים מאריכים בעומסי יתר מהווים סכנת שריפה והתחשמלות.

- אם ארון התקשורת מותקן במכלול סגור של ארונות תקשורת, הטמפרטורה שבה פועל ארון התקשורת עשויה להיות גבוהה מטמפרטורת הסביבה בחדר. הקפד שהטמפרטורה הסובבת של המתג לא תעבור את הסף של 50 מעלות צלזיוס לכל היותר.
- התקן את הציוד בארון התקשורת באופן שלא יפגע בכמות האוויר הנחוצה לתפעול בטוח של הציוד.
- שמור על הארקה מהימנה של הציוד המותקן בארון תקשורת. הקפד במיוחד על חיבורי ספק המתח שאינם חיבורים ישירים למעגלים החשמליים המפוצלים (לדוגמה, שימוש במפצלי חשמל).
- אין להרכיב את המוצר כשהלוח האחורי שלו פונה כלפי מטה.

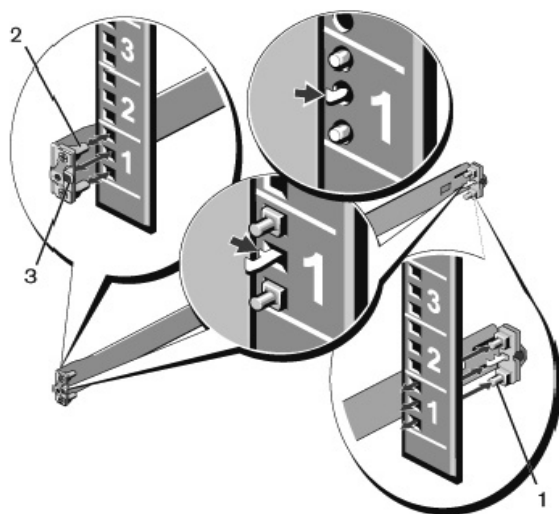
התקנת מערכת Dell ReadyRails

מערכת ReadyRails להתקנה בארון תקשורת מותאמת להגדרה פשוטה של ארון התקשורת להתקנת המתג. ניתן להתקין את מערכת ReadyRails באמצעות השיטה להתקנה בגובה 1U ללא כלים, או באחת משלוש השיטות האפשריות להתקנה בגובה 1U עם כלים (כך ללא בליטות עם שני עמודים, כך מרכזי עם שני עמודים או תברוג עם ארבעה עמודים).

תצורה של גובה 1U ללא כלים (חור מרובע בארבעה עמודים או חור עגול ללא תברוג)

1 כאשר קצות האוגן של ReadyRails פונים כלפי חוץ, הנח מסילה אחת בין העמוד האנכי הימני לשמאלי. ישר וייצב את היתדות של מסילת האוגן האחורית באוגן של העמוד האנכי האחורי. ב-איור 3, פריט 1 והייחוסים שלו ממחישים את האופן שבו היתדות נראות הן בחור המרובע והן בחור העגול ללא התברוג.

איור 3. תצורה של גובה 1U ללא כלים

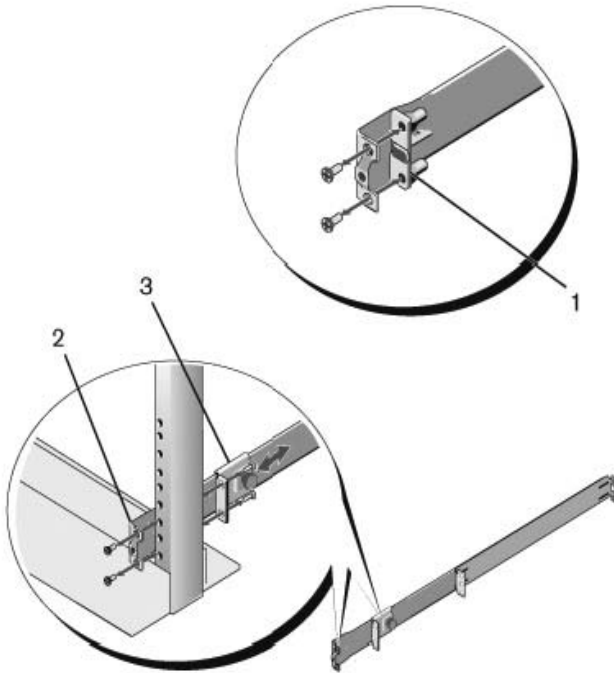


- 2 יישר וייצב את יתדות האוגן הקדמי בחורים שבחזית העמוד האנכי. ראה איור 3, פריט 2.
- 3 חזור על הליך זה גם עבור המסילה השנייה.
- 4 כדי להסיר כל מסילה, משוך את לחצן השחרור של התפס בקצה של כל אוגן והוצא כל אחת מהמסילות. ראה איור 3, פריט 3.

תצורה של כן ללא בליטות עם שני עמודים

1 עבור תצורה זו, יש להסיר את המייצבים היצוקים מהחלק הקדמי של כל מכלול ReadyRails. ראה איור 4, פריט 1 בעמוד 14. השתמש במברג Torx להסרת שני הברגים מכל קצה אוגן קדמי (בצד המתג שעל המסילה) והסר את כל אחד מהמייצבים היצוקים. שמור על המייצבים לצרכים עתידיים של שימוש בארון התקשורת. אין צורך להסיר את המייצבים של האוגנים האחוריים.

איור 4. תצורה של כן ללא בליטות עם שני עמודים



2 חבר מסילה אחת לאוגן העמוד הקדמי בעזרת שני ברגים (לא כלולים). ראה איור 4, פריט 2.

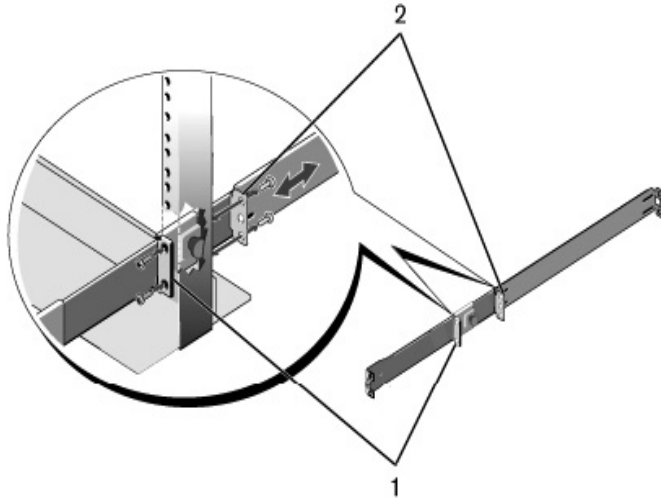
3 החלק את תושבת הבוכנה קדימה לעבר העמוד האנכי וחזק את תושבת הבוכנה לאוגן העמוד בעזרת שני ברגים (לא כלולים). ראה איור 4, פריט 3.

4 חזור על הליך זה גם עבור המסילה השנייה.

תצורה של כן ללא בליטות עם שני עמודים

1 החלק את תושבת הבוכנה לאחור עד שתתייצב במקומה בנקישה וחזק את התושבת לאוגן העמוד הקדמי בעזרת שני ברגים (לא כלולים). ראה איור 5, פריט 1.

איור 5. תצורה של כן ללא בליטות עם שני עמודים



2 החלק את התושבת האחורית לעבר העמוד וחזק אותה לאוגן העמוד בעזרת שני ברגים (לא כלולים). ראה איור 5, פריט 2.

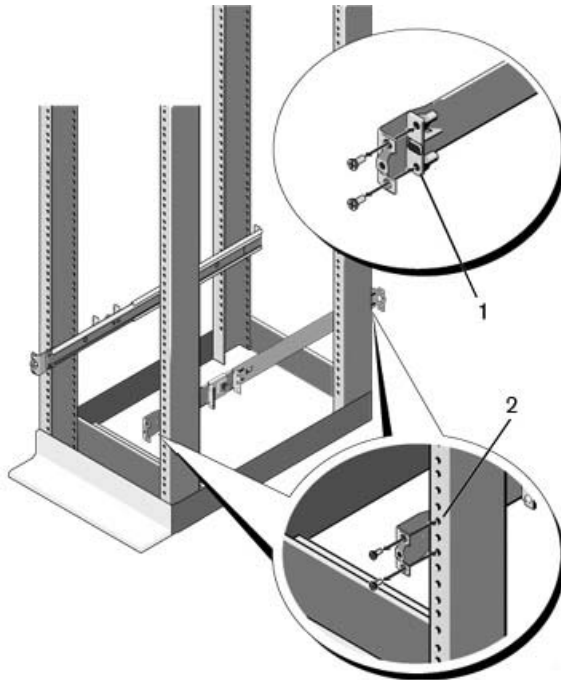
3 חזור על הליך זה גם עבור המסילה השנייה.

תצורה של תברוג עם ארבעה עמודים

1 עבור תצורה זו, יש להסיר את המייצבים היצוקים של קצות האוגנים מכל קצה של מכלול ReadyRails. השתמש במברג Torx להסרת שני הברגים מכל קצה אוגן והסר כל מייצב. ראה איור 6, פריט 1 בעמוד 16. שמור על המייצבים לצרכים עתידיים של שימוש בארון התקשורת.

2 עבור כל מסילה, חבר את האוגן הקדמי והאוגן האחורי לאוגני העמוד בעזרת שני ברגים (לא כלולים) בכל אחד מהקצוות. ראה איור 6, פריט 2 בעמוד 16.

איור 6. תצורה של תברוג עם ארבעה עמודים



התקנת המתג

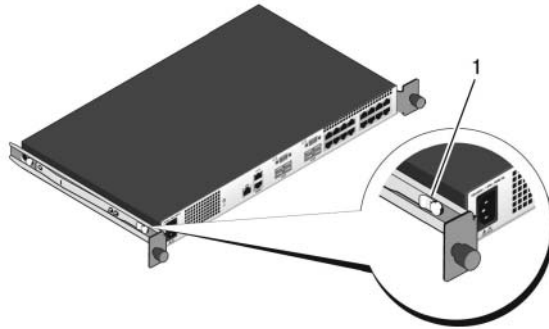
ניתן להתקין את המתג בתצורה של חזית ארון תקשורת בגובה 1U ובתצורה של שני עמודים בגובה 1U (ללא בליטות וממורכז). להלן דוגמה לתצורה של חזית ארון תקשורת בגובה 1U. בתצורות של שני עמודים בגובה 1U (ללא בליטות וממורכז), באפשרותך להחליק את המתג למסילות באופן זהה לזה שבתצורות של ארבעה עמודים.

התקנה בחזית ארון תקשורת בגובה 1U

יש להגדיר את תצורת המסילות המחוברות למתג.

- 1 חבר את מסילות המתג (רכיבים במארז הפנימי) למתג PC81xx. איור 7, בפרט 1 ניתן לראות את הפרטים עבור המנח הקדמי עם לשונית הנעילה.

איור 7. חיבור מסילות המתג

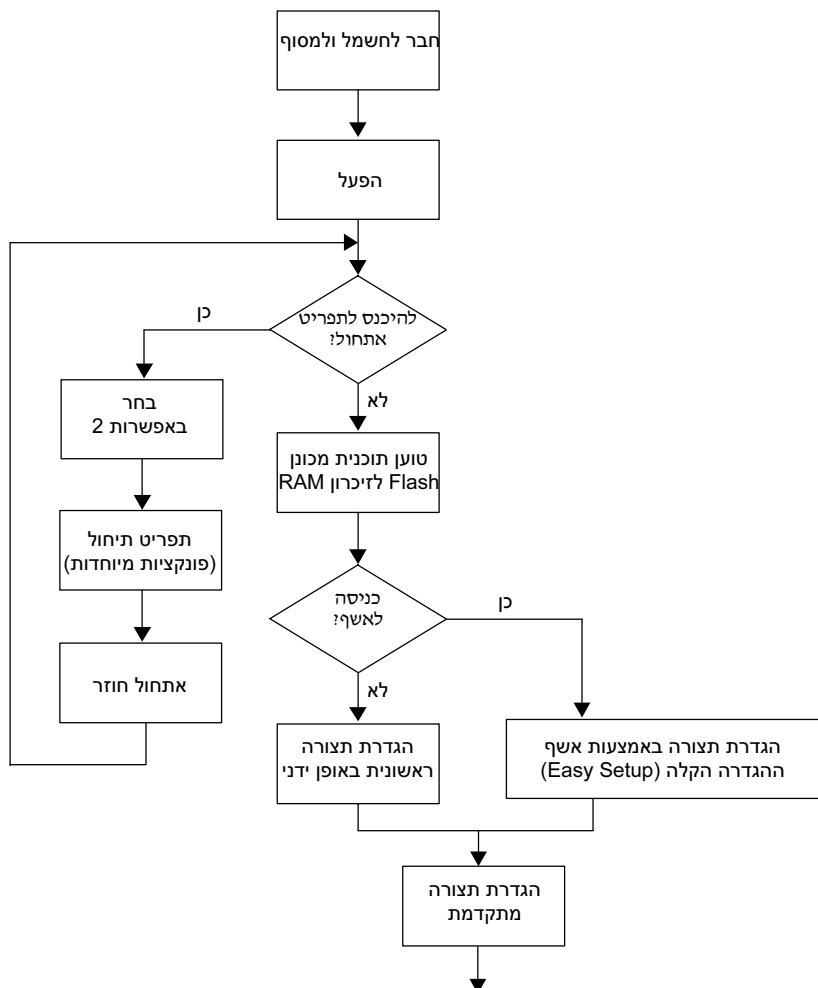


- 2 לאחר התקנת שתי מסילות המתג, סדר אותן בשורה על מסילות Ready-Rails שהורכבו קודם לכן בארון התקשורת והחלק את המתג עד שייצמד לחזית ארון התקשורת ללא בליטות. כ-3 אינץ' לפני השלמת החדירה, תופעל תכונת הנעילה של המסילות כדי למנוע החלקה בשוגג של המתג מארון תקשורת ונפילה שלו.

הפעלה והגדרת התצורה של המתג

תרשים הזרימה הבא מציג סקירה כללית של הפעולות שיש לבצע כדי להגדיר את התצורה הבסיסית לאחר הוצאת המתג מאריזתו והרכבתו בארון התקשורת.

איור 8. התקנה והגדרת תצורה תרשים זרימה



חיבור מתג למסוף

לאחר השלמת כל החיבורים החיצוניים, חבר מסוף למתג להגדרת תצורה של המתג.

הערה: לפני שתמשיך, קרא את הערות היצרן לגבי מוצר זה. תוכל להוריד את הערות המוצר מאתר התמיכה של Dell, בכתובת support.dell.com/support.

הערה: מומלץ להשיג את הגרסה העדכנית ביותר של התיעוד למשתמש מאתר התמיכה של Dell, בכתובת support.dell.com/support.

כדי לנטר את המתג ולקבוע את תצורתו באמצעות מסוף טורי, השתמש ביציאת המסוף מסוג RJ45 בגב המתג כדי לחבר אותו למסוף VT100 או למחשב שבו פועלת תוכנה להדמיית מסוף VT100. יציאת המסוף מוטמעת כמחבר data terminal equipment (DTE).

כדי להשתמש ביציאת המסוף, דרושים פריטי הציווד הבאים:

- מסוף תואם-VT100, או מחשב שולחני/נייד עם יציאה טורית, שבו פועלת תוכנה להדמיית מסוף VT100, כמו למשל Microsoft Hyper Terminal.
- כבל טורי (מצורף) עם מחבר RJ45 עבור יציאת המסוף ומחבר DB-9 עבור המסוף.

בצע את הפעולות הבאות לחיבור מסוף ליציאת המסוף של המתג:

1 חבר את מחבר ה-DB-9 בכבל הטורי למסוף או למחשב שבו פועלת תוכנת הדמיית המסוף VT100.

2 הגדר את תצורת התוכנה להדמיית המסוף באופן הבא:

א בחר את היציאה הטורית המתאימה (למשל COM 1) כדי להתחבר אל המסוף.

ב הגדר את קצב הנתונים ל-9600 באוד.

ג קבע את תבנית הנתונים ל-8 סיביות נתונים, סיבית עצירה אחת, ללא זוגיות.

ד הגדר את בקרת הזרימה כ'לא'.

ה הגדר את מצב הדמיית המסוף ל-VT100.

ו בחר מקשי מסוף עבור מקשי הפונקציות, מקשי החצים ומקשי Ctrl. ודא שההגדרה חלה על מקשי המסוף (לא על מקשי Microsoft Windows).

הערה: אם אתה משתמש ב-HyperTerminal ב-Microsoft Windows 2000,

ודא ש-Windows 2000 Service Pack 2 ואילך מותקן במחשב שלך. כאשר מותקן Windows 2000 Service Pack 2, מקשי החצים פועלים כראוי בהדמיית VT100 של HyperTerminal. לקבלת מידע נוסף בנושא ערכות service pack של Windows 2000, בקר בכתובת microsoft.com.


תיחול המתג

עם הפעלת המוצר, המתג מבצע בדיקת POST (בדיקה עצמית בהפעלה). בדיקת POST מתבצעת עם כל אתחול של המתג, ובמהלכה נבדקים כל רכיבי החומרה כדי לקבוע אם המתג כשיר לפעולה לפני השלמת האתחול. אם בדיקת POST מזהה בעיה קריטית, פעולת התוכנית מופסקת. אם בדיקת POST עוברת בהצלחה, קושחה תקפה של קובץ הפעלה נטענת לזיכרון RAM. הודעות POST מוצגות במסוף ומציינות אם הבדיקה בוצעה בהצלחה או נכשלה. תהליך התיחול נמשך כ-60 שניות.

ניתן להפעיל את תפריט Boot (תיחול) לאחר השלמת החלק הראשון של בדיקת ה-POST. מתפריט Boot (תיחול), תוכל לבצע משימות הגדרת תצורה כמו איפוס המערכת וחזרה לערכי ברירת המחדל של היצרן, הפעלה של תמונת הגיבוי או שחזור של סיסמה. לקבלת מידע נוסף על הפונקציות בתפריט Boot (תיחול), עיין במדריך העזר לממשק ה-CLI (שורת הפקודה).


הגדרת התצורה הראשונית

תהליך הגדרת התצורה הראשונית מבוסס על ההנחות הבאות:

- תצורת מתג PowerConnect מעולם לא הוגדרה בעבר, והמתג נמצא במצב שבו קיבלת אותו.
 - תיחול מתג ה-PowerConnect בוצע בהצלחה.
 - חיבור המסוף נוצר ושורת הפקודה של אשף ההתקנה **Dell Easy Setup Wizard** מופיעה על המסך של מסוף VT100 או של מסוף חלופי.
- הגדרת התצורה הראשונית של המתג מתבצעת דרך יציאת המסוף. לאחר קביעת התצורה הראשונית, תוכל לנהל את המתג מיציאת המסוף שכבר חוברה או דרך חיבור מרחוק.
-  **הערה:** לא הוגדרו במתג ערכי ברירת מחדל לשם משתמש, סיסמה או כתובת IP.
- לפני ביצוע הגדרת התצורה הראשונית של המתג, השג ממנהל הרשת את הפרטים הבאים:
- כתובת ה-IP שתוקצה לממשק OOB המיועד לניהול המכשיר.
 - מסכת רשת המשנה של IP עבור ממשק OOB.
 - כתובת ה-IP של שער ברירת מחדל של ממשק OOB.
- הגדרות אלה דרושות כדי לאפשר ניהול מרחוק של המתג באמצעות Telnet (לקוח Telnet) או HTTP (דפדפן אינטרנט).

תהליך הגדרת התצורה הראשונית

באפשרותך לקבוע את הגדרות התצורה הראשוניות באמצעות אשף ההתקנה **Dell Easy Setup**, או באמצעות ה-CLI. האשף מופעל באופן אוטומטי כאשר קובץ התצורה של המתג ריק. באפשרותך לצאת מהאשף בכל עת על ידי הקשה על `[ctrl+z]`, אך כל הגדרות התצורה שצוינו יימחקו והמתג ישתמש בערכי ברירת המחדל.


 **הערה:** אם לא תפעיל את אשף ההגדרה הקלה (Easy Setup Wizard) או שלא תגיב להנחיית האשף בתוך 60 שניות, המתג ייכנס לממשק ה-CLI (שורת הפקודה).

לקבלת מידע נוסף על הגדרת תצורה ראשונית באמצעות ממשק שורת הפקודה (CLI), עיין *במדריך העזר לממשק ה-CLI (שורת הפקודה). מדריך התחלת העבודה* מראה כיצד יש להשתמש באשף ההגדרה הקלה (Easy Setup) לביצוע הגדרת התצורה הראשונית של המתג. האשף מגדיר במתג את התצורה הבאה:


- יוצר חשבון משתמש בעל הרשאות ראשוניות עם סיסמה תקפה. האשף מגדיר חשבון משתמש אחד בעל הרשאות במהלך ההגדרה.
- מפעיל כניסה לממשק ה-CLI (שורת הפקודה) וגישת HTTP לצורך שימוש בהגדרות האימות המקומיות בלבד.
- מגדיר את כתובת ה-IP של ממשק ה-OOB.
- מגדיר את מחרוזת קהילת ה-SNMP לשימוש עם מנהל SNMP בכתובת IP נתונה. תוכל לבחור לדלג על שלב זה אם ניהול SNMP לא נמצא בשימוש במתג זה.

הפעלה לדוגמה

מקטע זה מתאר הפעלה של אשף ההתקנה Dell Easy Setup. בהפעלה לדוגמה נעשה שימוש בערכים הבאים:

 **הערה:** עם הוצאת המתג מהאריזה, או כשהוא מוגדר לערכי ברירת המחדל של היצרן, לא מוגדרים שם משתמש, סיסמה או כתובת IP.

- SNMP לא מופעל.
- המערכת מקבלת את ברירת המחדל של שם משתמש, root, והמשתמש מזין את הסיסמה **admin123**. האשף אינו מציג את הסיסמה תוך כדי הקלדתה.
- ממשק הניהול OOB משתמש ב-**192.168.2.1** להקצאת כתובת IP.

 **הערה:** בדוגמה הבאה, האפשרויות שהמשתמש יכול לבחור או ערכי ברירת מחדל מופיעים בתוך []. אם תקיש על `<Enter>` מבלי להגדיר אפשרויות, יתקבל ערך ברירת המחדל. טקסט עזרה מופיע בסוגריים.

הדוגמה הבאה מכילה את רצף ההנחיות והתגובות המשויכות להפעלת הדוגמה של **אשף ההתקנה Dell Easy Setup**, תוך שימוש בערכי הקלט המפורטים לעיל.

לאחר השלמת בדיקת POST ואתחול המתג, יוצג הטקסט הבא:

```
(Unit 1 - Waiting to select management unit)>  
< (יחידה 1 - ממתין לבחירת יחידת ניהול)
```

```
Applying Global configuration, please wait ...  
מחיל תצורה, המתן...
```

```
Welcome to Dell Easy Setup Wizard  
ברוך הבא לאשף ההגדרה הקלה של Dell
```

The Setup Wizard guides you through the initial switch configuration, and gets you up and running as quickly as possible. You can skip the setup wizard, and enter CLI mode to manually configure the switch. You must respond to the next question to run the setup wizard within 60 seconds, otherwise the system will continue with normal operation using the default system configuration. Note: You can exit the setup wizard at any point by entering [ctrl+z].

אשף ההגדרה ינחה אותך בתהליך הגדרת התצורה הראשונית של המתג, וכן יסדיר את הגדרת המערכת והפעלתה מהר ככל האפשר. באפשרותך לדלג על אשף ההגדרה ולהיכנס למצב CLI [שורת פקודה] כדי להגדיר את תצורת המתג באופן ידני. עליך להגיב לשאלה הבאה להפעלת אשף ההתקנה בתוך 60 שניות, אחרת המערכת תמשיך לפעול כרגיל באמצעות תצורת ברירת המחדל של המערכת. באפשרותך לצאת מאשף ההגדרה בכל שלב על ידי הקשת [ctrl+z].

```
Would you like to run the setup wizard (you must  
answer this question within 60 seconds)? [Y/N] y  
האם ברצונך להפעיל את אשף ההתקנה (עליך לענות על שאלה  
זו בתוך 60 שניות)? [כ/ל] כ
```

```
First:  
ראשית:
```

```
Do you want to select the operational mode as Simple  
Mode? [Y/N] y  
האם ברצונך לבחור את מצב ההפעלה כמצב פשוט? [כ/ל] כ
```

Step 1:

שלב 1:

The system is not setup for SNMP management by default. To manage the switch using SNMP (required for Dell Network Manager) you can

המערכת אינה מוגדרת לניהול SNMP כברירת מחדל. כדי לנהל את המתג באמצעות SNMP (דרוש עבור מנהל הרשת של Dell) באפשרותך

- . Set up the initial SNMP version 2 account now.
להגדיר כעת חשבון בסיסי של SNMP גרסה 2
- . Return later and setup other SNMP accounts. (For more information on setting up an SNMP version 1 or 3 account, see the user documentation).
לחזור מאוחר יותר ולהגדיר חשבונות SNMP נוספים.
(לקבלת מידע נוסף על הגדרת חשבון SNMP גרסה 1 או 3, עיין בתיעוד למשתמש)

Would you like to setup the SNMP management interface now? [Y/N] n

האם ברצונך להגדיר את ממשק ניהול ה-SNMP כעת? [כן/לא] ל

Step 2:

שלב 2:

Now we need to setup your initial privilege (Level 15) user account. This account is used to login to the CLI and Web interface. You may setup other accounts and change privilege levels later. For more information on setting up user accounts and changing privilege levels, see the user documentation.

כעת עלינו להגדיר את חשבון המשתמש בעל ההרשאה הראשונית שלך [רמה 15]. חשבון זה משמש לכניסה אל ממשקי ה-CLI והאינטרנט. תוכל להגדיר חשבונות אחרים ולשנות את רמות ההרשאה מאוחר יותר. לקבלת מידע נוסף על הגדרת חשבונות משתמש ושינוי רמות הרשאה, עיין בתיעוד למשתמש.

To setup a user account:

כדי להגדיר חשבון משתמש:

Please enter the user name. [root]:

הזן את שם המשתמש. [בסיס]:

Please enter the user password:

הזן את סיסמת המשתמש:

Please reenter the user password:

הזן מחדש את סיסמת המשתמש:

Step 3:

שלב 3:

Next, IP addresses are setup on the OOB (Out-Of-Band) Interface and/or the VLAN1 routing interface.

בשלב הבא, יוגדרו כתובות IP בממשק לניהול תקשורת בערוץ משני (OOB) ו/או בממשק הניתוב של VLAN1.

You can use these IP addresses to access the CLI, Web interface, or SNMP interface of the switch.

תוכל להשתמש בכתובות IP אלה כדי לקבל גישה אל ממשקי ה-CLI, האינטרנט או ה-SNMP של המתג.

To access the switch through any Management Interface you can

כדי לקבל גישה אל המתג באמצעות אחד מממשקי הניהול, תוכל

. Setup the IP address for the Management Interface.
. להגדיר את כתובת ה-IP של ממשק הניהול.

. Setup the default gateway if IP address is manually configured on both routing and OOB interface.

. להגדיר את שער ברירת המחדל אם כתובת ה-IP הוגדרה ידנית הן בממשק הניתוב והן בממשק ה-OOB.

Would you like to setup the Out-Of-Band interface now? [Y/N] **y**

האם ברצונך להגדיר את ממשק ה-OOB (כעת)? [כ/ל] **כ**

Please enter the IP address of the device (A.B.C.D) or enter "DHCP" (without the quotes) to automatically request an IP address from the network DHCP server. [192.168.2.1]:

הזן את כתובת ה-IP של ההתקן [A.B.C.D] או הזן 'DHCP' [ללא מירכאות] כדי לבקש כתובת IP משרת ה-DHCP של הרשת באופן אוטומטי. :[192.168.2.1]

Please enter the IP subnet mask (A.B.C.D or /nn). [255.255.255.0]:

הזן מסיכת רשת משנה של כתובת ה-IP (A.B.C.D או /nn). :[255.255.255.0]

This is the configuration information that has been collected:

זהו מידע התצורה שנאסף:

Operational Mode = Simple

מצב הפעלה = פשוט

User Account setup = root

הגדרת חשבון משתמש = בסיס

Password = *****

סיסמה = *****

Out-of-band IP address = 192.168.2.1 255.255.255.0

כתובת IP של מחשק OOB = 192.168.2.1 255.255.255.0

Final Step:

שלב סופי

If the information is correct, please enter (Y) to save the configuration, and copy the settings to the start-up configuration file. If the information is incorrect, enter (N) to discard the configuration and restart the wizard: [Y/N] **y**

אם המידע נכון, הזן [כ] כדי לשמור את התצורה ולהעתיק את קובץ התצורה של ההפעלה. אם המידע שגוי, בחר 'לא' (ל) כדי למחוק את התצורה ולהפעיל מחדש את האשף: [כ/ל] **כ**

Thank you for using the Dell Easy Set up Wizard. You will now enter CLI mode.

אנו מודים לך על השימוש באשף ההגדרה הקלה של Dell. כעת תעבור למצב CLI.

Applying Interface configuration, please wait ...

מחיל תצורת ממשק, המתן...

console>

לוח בקרה <

השליבים הבאים

לאחר שתסיים את הגדרת התצורה הבסיסית המתוארת בסעיף זה, תוכל לחבר כל אחת מיציאות המתג שבלוח הקדמי אל הרשת הפעילה שלך לצורך ניהול מרחוק דרך רשת תקשורת ראשית.

אם ציינת DHCP לכתובת ה-IP של ממשק OOB, הממשק יקבל את כתובת ה-IP שלו משרת DHCP ברשת. כדי לגלות את כתובת ה-IP שהוקצתה באופן דינמי, היעזר בחיבור של יציאת המסוף כדי להעביר את הפקודה הבאה:

show ip interface out-of-band (הצג כתובת IP של ממשק OOB).

כדי לקבל גישה לממשק **Dell OpenManage Switch Administrator**, הזן את כתובת ה-IP של ממשק ה-OOB בשדה הכתובת של דפדפן אינטרנט. כדי לקבל מרחוק גישה ניהולית לשורת הפקודה, הזן את כתובת ה-IP של ממשק OOB בלקוח Telnet או SSH. לחלופין, תוכל להמשיך להשתמש ביציאת המסוף לגישה אל המתג דרך שורת פקודה מקומית.

מתג PowerConnect 81xx תומך בתכונות מיתוג בסיסיות כמו רשתות VLAN, תקן 802.1X RADIUS ו-TACACS+. למידע נוסף על התכונות הנתמכות במצב Simple Switch Mode: *נייר טכני בנושא Port Aggregator Feature*.

אם תצורת המתג הוגדרה לפעולה במצב 'רגיל', המתג יכול לתמוך גם בתכונות כמו פרוטוקול Spanning Tree וכן תכונות מתקדמות של שכבה 3, כמו ניתוב דינמי ושידור לתחנות מרובות. היעזר בממשק הניהול מבוסס האינטרנט או בשורת הפקודה כדי להגדיר את תצורת התכונות הדרושות לרשת שלך. לקבלת מידע נוסף על הגדרת תכונות המתג, עיין במדריך התצורה למשתמש או במדריך העזר של ממשק שורת הפקודה העומדים לרשותך באתר התמיכה בכתובת support.dell.com/support.

